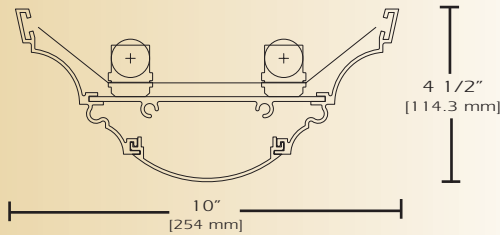


# Special Profiles

AD-103-I



**TYPE** \_\_\_\_\_

**FEATURES**

The AD 103 I is the suspended mounted variation of this complete family of luminaires. A smooth laser cut welded end finishes the graceful sculptured contour of the extruded aluminum profile. The computer designed optical system creates a wide symmetric glare-free indirect distribution. These fixtures can be mounted individually, in continuous runs or patterns.

**SPECIFICATIONS**

**Housing:** One piece heavy gauge extruded aluminum 6063T5 alloy welded construction forming a 4 1/2" x 10" scallop profile. Finished end caps are welded to housing with no exposed hardware or knockouts.

**Reflector:** Die formed 20-gauge cold rolled steel minimum 90% reflectivity finished in high gloss baked white enamel.

**Electrical:** Ballast is electronic, high power factor, thermally protected class P, sound rated A, with less than 20% total harmonic distortion. The minimum number of ballasts will be used unless otherwise specified.

**Mounting:** Standard Installation is an adjustable self-locking aircraft cable assembly 48" x 3/32" in diameter with 5" canopy. One 16/4 SJT straight 54" cord is provided per power feed. Standard pendants are available in 24" lengths. See Accessories for additional mounting.

**Finish:** Fixture housing and steel components are finished in baked white enamel applied over a five-stage pretreatment process.

**Lamps:** Fixtures are provided for use with two or three 32 watt T8 lamps or 54 watt T5 HO lamps. (Supplied by Others)

**Certification:** Luminaires are U. L. Listed, C. S. A. certified and are Union Made in the United States of America I.B.E.W.

**ORDERING GUIDE**

MODEL NO.	DIRECTION	LAMPS	MOUNTING	LENGTH	FINISH	VOLTAGE	OPTIONS
<b>AD-103</b>	<b>I</b>	<b>232 T8</b> <b>332 T8</b> <b>254T5 HO</b> <b>354T5 HO</b>	<b>AC= Cable</b> <b>PC= Pendant</b>	<b>4= ft</b> <b>8= ft</b>	<b>W= White</b> <b>CC= Custom Color</b>	<b>120v</b> <b>277v</b>	<b>See Options Below</b>
		<b>O= Other Specify</b>	See Accessories	for other, please enter row length (eg. 48=48ft)			

Example: **AD-103-I-232T8-AC-4-W-120V**  
 AD-103 indirect with two 32 watt T8 lamps including two 48 inch aircraft cables and power feed four foot fixture finished in baked white enamel 120v electronic ballast less than 20% total harmonic distortion.

**OPTIONS**

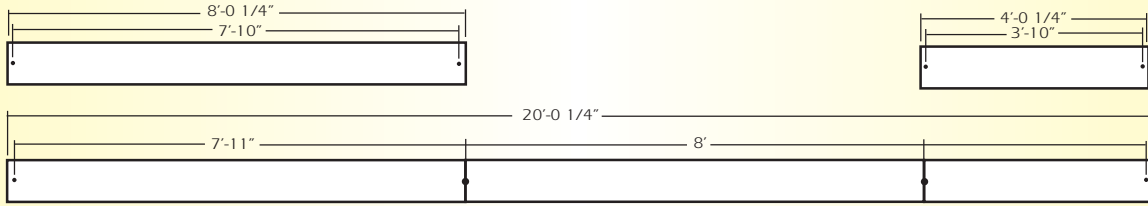
- E10=** Electronic ballast, high power factor, thermally protected class P, sound rated A, < 10% total harmonic distortion
- DIM=** Dimming Ballast
- EPC=** Emergency Battery Pack
- EMC=** Emergency Circuit
- TCW=** Two Circuit Wiring
- TDW=** Tandem Wiring
- OTH=** See Accessories for other options available

# Special Profiles

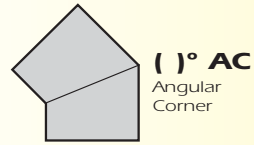
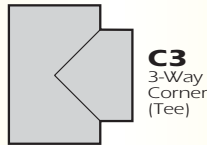
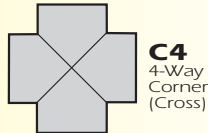
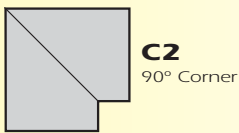
AD-103-I

LINEAR SECTIONS AND SUSPENSION LOCATION

## SUSPENSION MOUNTING



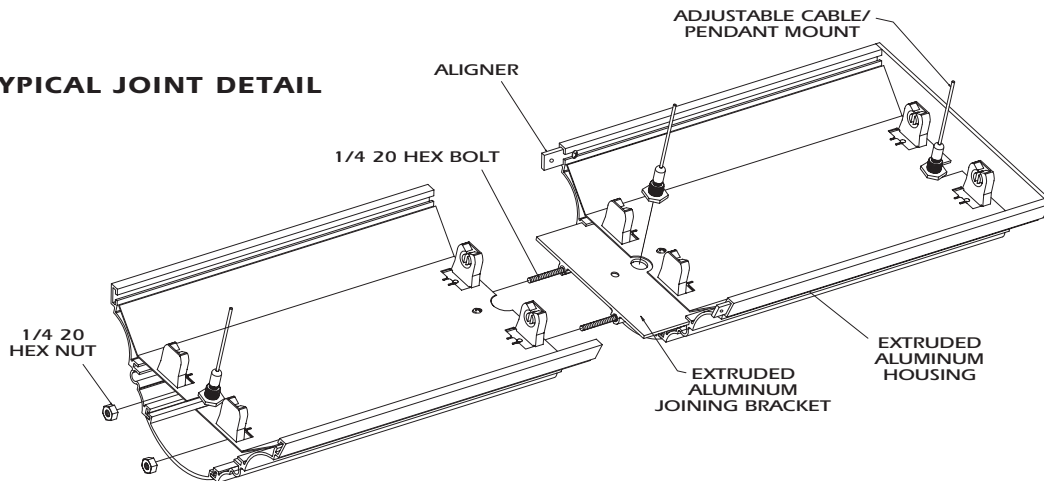
**CORNERS** Corners and fixture extensions are custom fabricated to precise dimensions. Please indicate the specific requirements on the layout



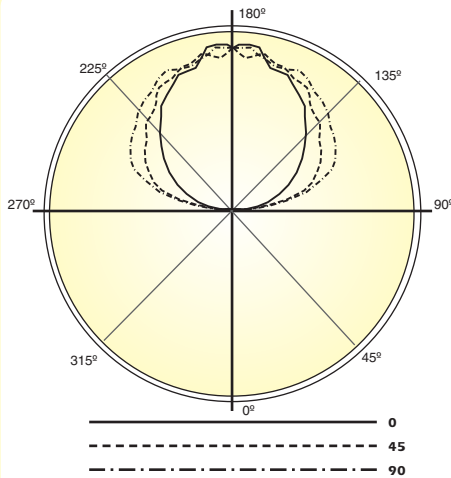
For any angular corner, ( )° must be specified and dimensions must be included on the layout  
For any pattern, a layout must accompany the order.

INSTALLATION PREPARATION

## TYPICAL JOINT DETAIL



PHOTOMETRY



LAMP (2) 32W T8  
LUMENS: 2900 PER LAMP

## Candela Distribution:

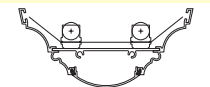
Vert. Angle	0	22.5	45	67.5	90
90	25.7	34.8	45.2	53.2	52.8
95	161	210	221	239	224
100	264	370	437	452	461
105	364	470	619	670	687
110	427	551	721	819	851
115	540	628	792	924	957
120	618	709	868	976	1007
125	710	785	913	1025	1053
130	791	846	955	1086	1084
135	882	924	1041	1118	1145
140	974	1008	1062	1157	1195
145	1059	1079	1150	1195	1224
150	1130	1175	1222	1241	1279
155	1193	1219	1231	1258	1315
160	1246	1245	1284	1338	1283
165	1248	1270	1298	1339	1281
170	1366	1345	1352	1326	1333
175	1411	1378	1292	1329	1389
180	1374	1374	1374	1374	1374

Optical Distribution:  
100% Indirect

## Coefficients of Utilization - Zonal Cavity Method:

pfc = 0.20

	.8	.7	.5	.3	.1	0
pcc	.8	.7	.5	.3	.1	0
pw	.7 .5 .3 .1	.7 .5 .3 .1	.5 .3 .1	.5 .3 .1	.5 .3 .1	0
RCR						
0	82 82 82 82	70 70 70 70	47 47 47	27 27 27	8 8 8	0
1	74 71 68 65	63 60 58 56	41 40 38	23 23 22	7 7 7	0
2	67 62 57 53	57 53 49 45	36 34 32	20 19 18	6 6 6	0
3	61 54 48 44	52 46 41 38	32 29 26	18 17 15	5 5 5	0
4	56 47 41 37	47 41 36 32	28 25 22	16 14 13	5 4 4	0
5	51 42 36 31	43 36 31 27	25 21 19	14 12 11	4 4 3	0
6	47 37 31 26	40 32 27 23	22 19 16	12 11 9	4 3 3	0
7	43 33 27 23	36 29 23 20	20 16 14	11 9 8	3 3 2	0
8	40 30 24 20	34 26 21 17	18 14 12	10 8 7	3 2 2	0
9	37 27 21 17	31 23 18 15	16 13 10	9 7 6	3 2 2	0
10	34 24 19 15	29 21 16 13	14 11 9	8 6 5	2 2 1	0



Total Luminaire Optical Efficiency = 85.9%