

TYPE _____

FEATURES

The Jazz AS is one variation of a complete family of indirect fluorescent luminaires. Constructed of steel and aluminum extrusions, it features a reveal between modules in continuous rows. The Jazz AS series is of solid construction with aluminum trim. The computer designed optical system creates a widespread indirect distribution.

SPECIFICATIONS

Housing: One piece die formed 20-gauge cold rolled steel construction forming a 16" x 3 3/4" rounded profile. The housing trim is die formed extruded aluminum with aluminum recessed ends. Decorative connectors join fixtures in rows.

Reflector: Die formed 20 gauge cold rolled steel minimum 90% reflectivity finished in high gloss baked white enamel. Die formed specular reflector is also available.

Electrical: Ballast is electronic, high power factor, thermally protected class P, sound rated A, with less than 20% total harmonic distortion. The minimum number of ballasts will be used unless otherwise specified.

Mounting: Standard Installation is an adjustable self-locking aircraft cable assembly 48" x 3/32" in diameter with 5" canopy. One 16/4 SJT straight 54" cord is supplied with each power feed. Standard pendants are available in 24" lengths. See Accessories for additional mounting.

Finish: Fixture housing and steel components are finished in baked white enamel applied over a five-stage pretreatment process.

Lamps: Fixtures are provided for use with two 32-watt T8 lamps or 54-watt T5 HO lamps. Also available with 40 watt or 50 watt compact fluorescent lamps. (Supplied by Others)

Certification: Luminaires are U. L. Listed, C. S. A. certified and are Union Made in the United States of America I.B.E.W.

ORDERING GUIDE

MODEL NO.	DIRECTION	LAMPS	MOUNTING	LENGTH	FINISH	VOLTAGE	OPTIONS
JAZ AS	I	232T8 228T5 254T5HO 440CF 450CF	AC= Cable PD= Pendant	4= ft 8= ft	W= White CC= Custom Color	120v 277v	See Options Below
	I= Indirect		See Accessories	for other, please enter row length (eg. 48=48ft)			

Example: **JAZ-AS-I-232T8-AC-4-W-120V**

Jazz All Solid for two 32 watt T8 lamps including two 48inch aircraft cables and power feed four foot fixture finished in baked white enamel 120v electronic ballast less than 20% total harmonic distortion.

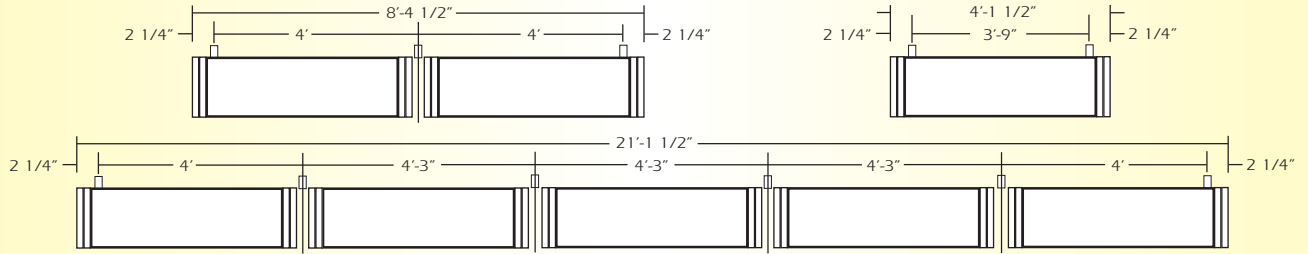
OPTIONS

- E10=** Electronic ballast, high power factor, thermally protected class P, sound rated A, < 10% total harmonic distortion
- DIM=** Dimming Ballast
- EPC=** Emergency Battery Pack
- EMC=** Emergency Circuit
- TCW=** Two Circuit Wiring
- TDW=** Tandem Wiring
- OTH=** See Accessories for other options available

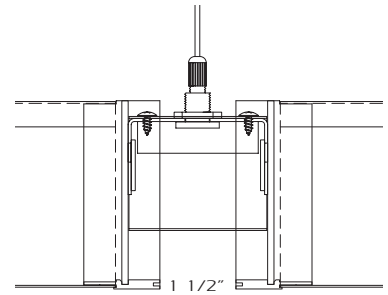
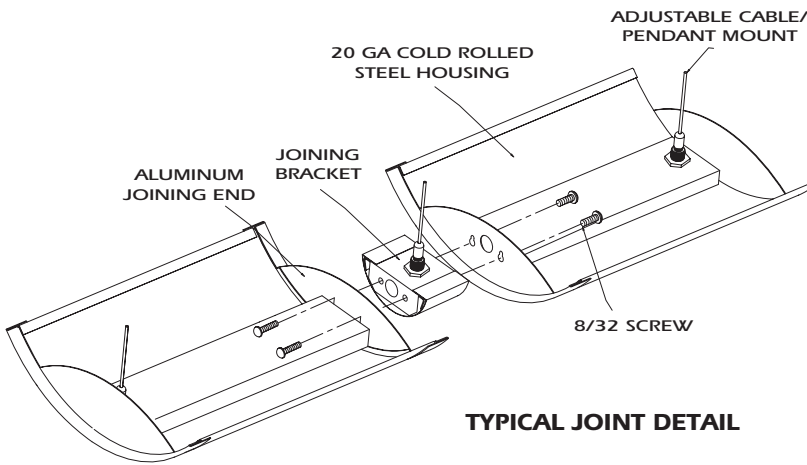
JAZZ Series

JAZ-AS

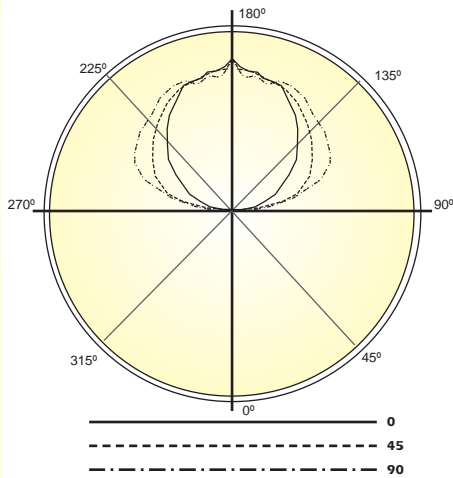
LINEAR SECTIONS AND SUSPENSION LOCATION



INSTALLATION PREPARATION



PHOTOMETRY



Candela Distribution:

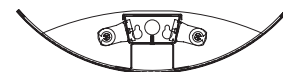
Vert. Angle	0	22.5	45	67.5	90
90	25.3	49.4	24.6	14.0	6.35
95	76.6	192	214	206	190
100	165	337	456	495	496
105	274	434	631	705	700
110	365	517	715	837	864
115	479	593	810	932	981
120	565	671	849	1006	1041
125	666	739	916	1058	1079
130	782	821	972	1088	1115
135	854	898	1028	1141	1168
140	937	981	1070	1170	1191
145	1039	1083	1127	1205	1224
150	1109	1131	1202	1251	1274
155	1178	1225	1220	1285	1292
160	1256	1247	1256	1267	1296
165	1227	1259	1250	1315	1240
170	1305	1342	1310	1326	1281
175	1318	1307	1300	1340	1263
180	1418	1418	1418	1418	1418

Coefficients of Utilization - Zonal Cavity Method:

pfc = 0.20

	.8	.7	.5	.3	.1	0
pcc	.8	.7	.5	.3	.1	0
pw	.7	.5	.3	.1	.5	.3
RCR	.1	.1	.1	.1	.1	.1
0	80	80	80	80	69	69
1	73	70	67	64	62	60
2	66	61	56	52	56	52
3	60	53	47	43	51	45
4	55	47	41	36	47	40
5	50	41	35	30	43	35
6	46	37	30	26	39	31
7	42	33	27	22	36	28
8	39	29	23	19	33	25
9	36	27	21	17	31	23
10	33	24	18	15	28	21

Optical Distribution:
100% Indirect



Total Luminaire Optical Efficiency = 84.8%