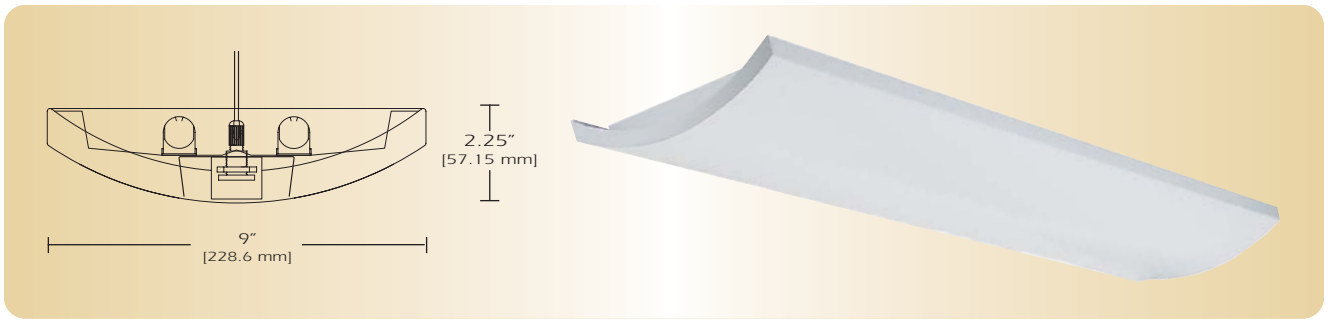


# Stylelite (Steel)

STYS-I-1



TYPE \_\_\_\_\_

FEATURES

The Stylelite is a low profile contemporary design indirect fluorescent luminaire. The Stylelite is available in ten architectural design perforations and utilizes energy efficient T5 technology. The highly reflective specular reflector creates high efficiency optics. The Stylelite is available in suspended or wall-mounted applications. The steel luminaire is an excellent choice where affordability, design, and technology are required in a lighting system.

SPECIFICATIONS

**Housing:** One piece die formed 20-gauge cold rolled steel welded construction forming a 2 1/4" x 9" curved profile. Finished end caps are laser cut 18-gauge cold rolled steel, welded with no exposed hardware or knockouts. Aligner brackets are provided to eliminate light leaks and for precision alignment of continuous rows.

**Reflector:** Die formed .025 specular reflector minimum 90% reflectivity.

**Electrical:** Ballast is electronic, high power factor, thermally protected class P, sound rated A, with less than 10% total harmonic distortion. The minimum number of ballasts will be used unless otherwise specified.

**Mounting:** Standard Installation is an adjustable self-locking aircraft cable assembly 48" x 3/32" in diameter with 5" canopy. One 16/4 SJT straight 54" cord is supplied with each power feed. Standard pendants are available in 24" lengths. See Accessories for additional mounting.

**Finish:** Fixture housing and steel components are finished in baked white enamel applied over a five stage pretreatment process.

**Lamps:** Fixtures are provided for use with one, two or three 28 watt T5 or one, two or three 54 watt T5 HO lamps. (Supplied by Others)

**Certification:** Luminaires are U. L. listed, C. S. A. certified and are Union Made in the United States of America. I.B.E.W.

ORDERING GUIDE

MODEL NO.	DIRECTION	SHIELDING	LAMPS	MOUNTING	LENGTH	FINISH	VOLTAGE	OPTIONS
<b>STYS</b>	- <b>I</b>	- <b>1</b>	- <input type="checkbox"/>	- <input type="checkbox"/>	- <input type="checkbox"/>	- <input type="checkbox"/>	- <input type="checkbox"/>	- <input type="checkbox"/>
<b>STYS</b>	I=Indirect	1=Solid	<b>128T5</b> <b>228T5</b> <b>328T5</b> <b>154T5 HO</b> <b>254T5 HO</b> <b>354T5 HO</b> O=Other Specify	<b>AC</b> = Cable <b>PD</b> = Pendant <b>WM</b> = Wall Mount See Accessories	<b>4</b> = 4 ft <b>8</b> = 8 ft for other, please enter row length (eg. 48=48ft)	<b>W</b> = White <b>CC</b> = Custom Color	<b>120v</b> <b>277v</b>	See Options Below

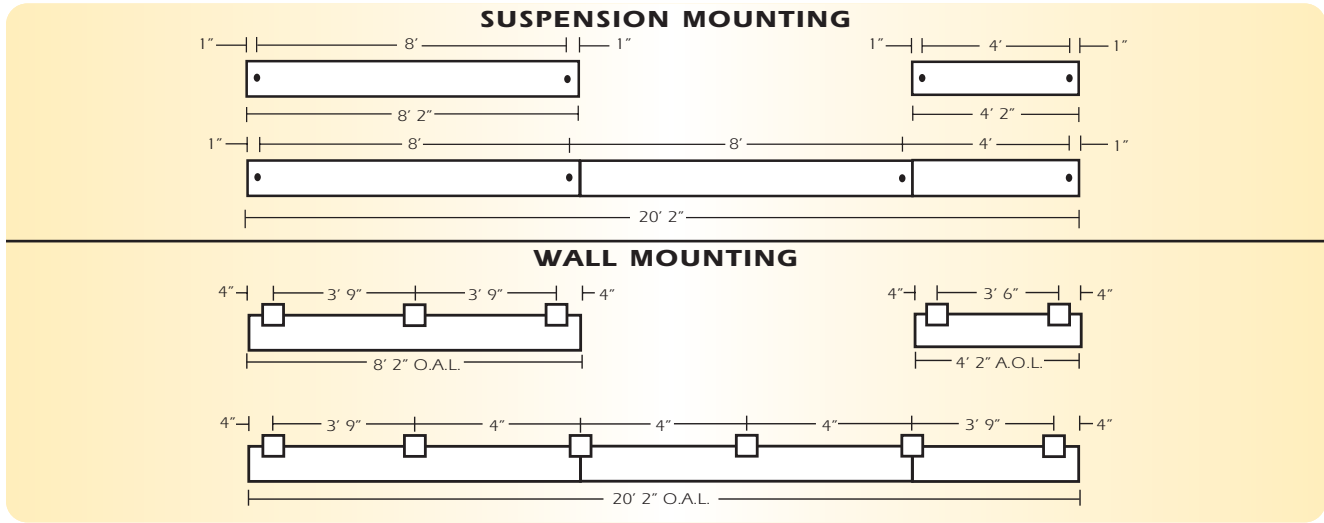
Example: **STYS-I-1-254T5HO-AC-4-W-277V**

Stylelite shallow curved shape profile for two 54 watt T5 HO lamps with two 48 inch aircraft cables and power feed four foot fixture finished in baked white enamel with 277v electronic ballast less than 10% total harmonic distortion.

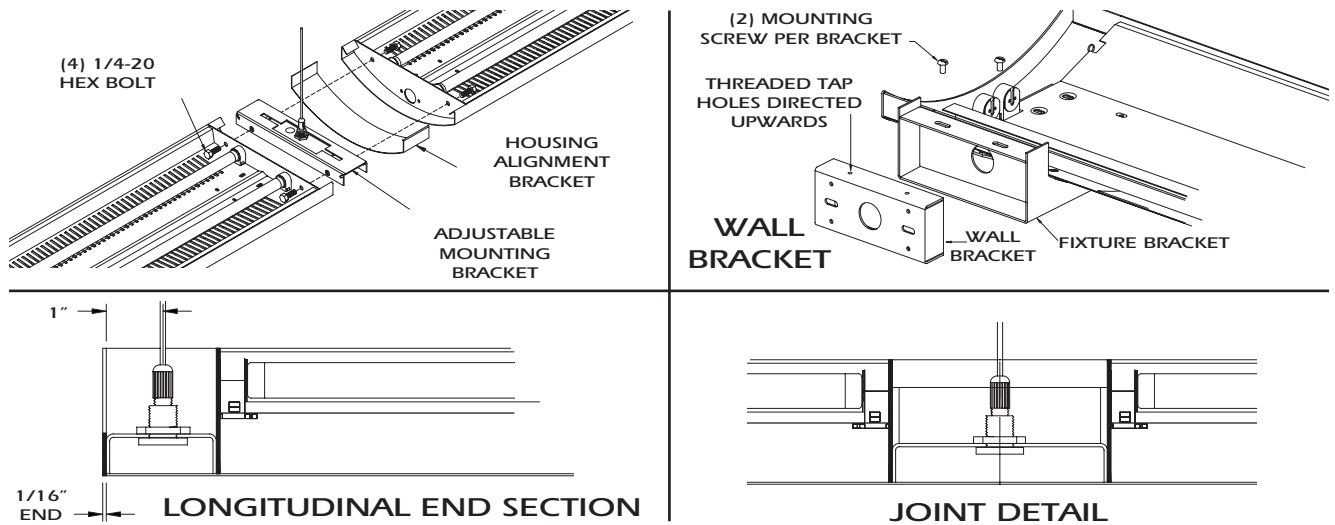
OPTIONS

- DIM=** Dimming Ballast
- EPC=** Emergency Battery Pack
- EMC=** Emergency Circuit
- TCW=** Two Circuit Wiring
- TDW=** Tandem Wiring
- OTH=** See Accessories for other options available

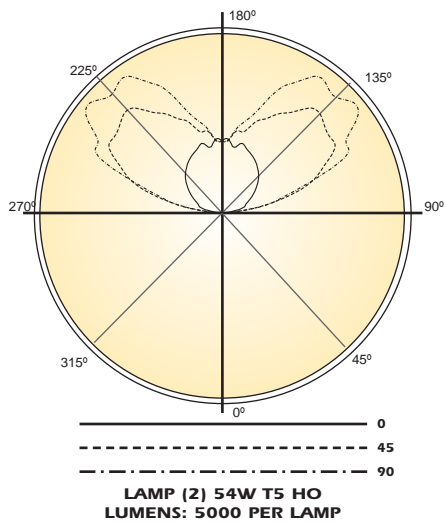
LINEAR SECTIONS AND SUSPENSION LOCATION



INSTALLATION PREPARATION



PHOTOMETRY



**Candela Distribution:**

Vert. Angle	0	22.5	45	67.5	90
90	19.7	36.3	17.4	18.1	29.1
95	131	294	315	297	290
100	262	687	713	754	776
105	387	983	1234	1139	1111
110	418	1185	1651	1763	1676
115	505	1356	1905	2182	2324
120	594	1422	2191	2404	2405
125	687	1504	2217	2693	2771
130	777	1504	2254	2714	2884
135	867	1451	2336	2613	2732
140	937	1444	2301	2679	2762
145	1005	1394	2067	2656	2800
150	1059	1360	1925	2398	2546
155	1109	1291	1747	2055	2312
160	1163	1312	1627	1788	1890
165	1204	1294	1408	1597	1623
170	1112	1252	1402	1495	1451
175	1239	1195	1221	1283	1233
180	1203	1203	1203	1203	1203

**Optical Distribution:**  
100% Indirect

**Coefficients of Utilization - Zonal Cavity Method:**  
pfc = 0.20

	.8	.7	.5	.3	.1	0													
pcc	.8	.7	.5	.3	.1	0													
pw	.7	.5	.3	.1	.5	.3	.1	.5	.3	.1	0								
RCR	0	86	86	86	86	73	73	73	73	50	50	50	28	28	28	9	9	9	0
1	78	74	71	68	67	64	61	59	43	42	40	25	24	23	8	7	7	0	
2	71	65	60	56	60	55	51	48	38	35	33	22	20	19	7	6	6	0	
3	65	57	51	46	55	49	44	40	33	30	28	19	17	16	6	5	5	0	
4	59	50	43	38	50	43	37	33	29	26	23	17	15	14	5	4	4	0	
5	54	44	37	33	46	38	32	28	26	22	20	15	13	12	4	4	3	0	
6	49	39	33	28	42	34	28	24	23	20	17	13	11	10	4	3	3	0	
7	45	35	29	24	38	30	25	21	21	17	15	12	10	8	3	3	2	0	
8	42	32	25	21	35	27	22	18	19	15	13	11	9	7	3	3	2	0	
9	39	28	22	18	33	24	19	16	17	13	11	10	8	6	3	2	2	0	
10	36	26	20	16	30	22	17	14	15	12	10	9	7	6	2	2	1	0	

