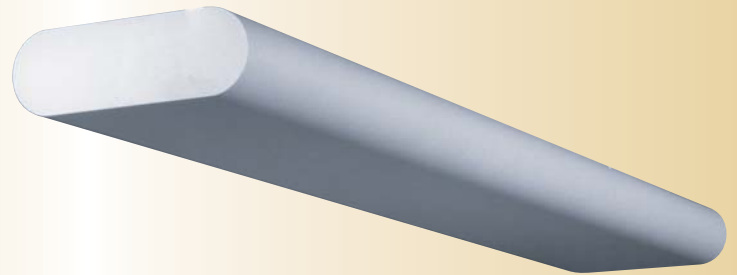
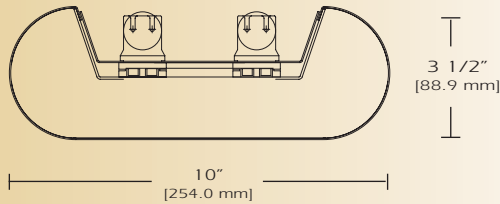


General Illumination

35S10-I



TYPE _____

FEATURES

The 35S10 I series is an indirect version of the family of oval steel luminaires. The 35S10 I is designed with indirect distribution for suspended mounting. This series can be mounted individually, in perfectly aligned continuous rows or in any of combination of patterns. The 35S10 I series is an ideal solution for large spaces with high ceilings. These applications benefit from the widespread indirect distribution.

SPECIFICATIONS

- Housing:** One piece die formed 20-gauge cold rolled steel welded construction forming a 3 1/2" x 10" oval profile. Finished end caps are laser cut 18-gauge cold rolled steel, with no exposed hardware or knockouts.
- Reflector:** Die formed 20-gauge cold rolled steel minimum 90% reflectivity finished in high gloss baked white enamel.
- Electrical:** Ballast is electronic, high power factor, thermally protected class P, sound rated A, with less than 20% total harmonic distortion. The minimum number of ballasts will be used unless otherwise specified.
- Mounting:** Standard installation is an adjustable self-locking aircraft cable assembly 48" x 3/32" in diameter with 5" canopy. One 16/4 SJT straight 54" cord is supplied with each power feed. Standard pendants are available in 24" lengths. See Accessories for additional mounting.
- Finish:** Fixture housing and steel components are finished in baked white enamel applied over a five-stage pretreatment process.
- Lamps:** Fixtures are provided for use with two or three 32 watt T8 lamps or 54 watt T5 HO lamps. (Supplied by Others)
- Certification:** Luminaires are U. L. Listed, C. S. A. certified and are Union Made in the United States of America. I.B.E.W.

ORDERING GUIDE

| MODEL NO. | DIRECTION | LAMPS | MOUNTING | LENGTH | FINISH | VOLTAGE | OPTIONS |
|--------------|--------------|--|--|--|--|----------------------------|--------------------------|
| 35S10 | - I - | 232T8 332T8 254T5 HO 354T5 HO | AC = Cable PD = Pendant | 4 = 4 ft 8 = 8 ft | W = White CC = Custom Color | 120v 277v | See Options Below |
| | | O =Other Specify | See Accessories | for other, please enter row length (eg. 48=48ft) | | | |

Example: **35S10-I-232T8-AC-4-W-120V**

Example: 35S10 indirect for two 32 watt T8 lamps with two 48inch aircraft cables and power feed four foot fixture finished in baked white enamel 120v electronic ballast less than 20% total harmonic distortion.

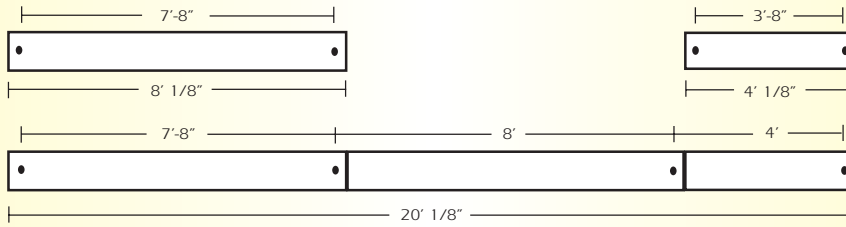
OPTIONS

- E10=** Electronic ballast, high power factor, thermally protected class P, sound rated A, < 10% total harmonic distortion
- DIM=** Dimming Ballast
- EPC=** Emergency Battery Pack
- EMC=** Emergency Circuit
- TCW=** Two Circuit Wiring
- TDW=** Tandem Wiring
- OTH=** See Accessories for other options available

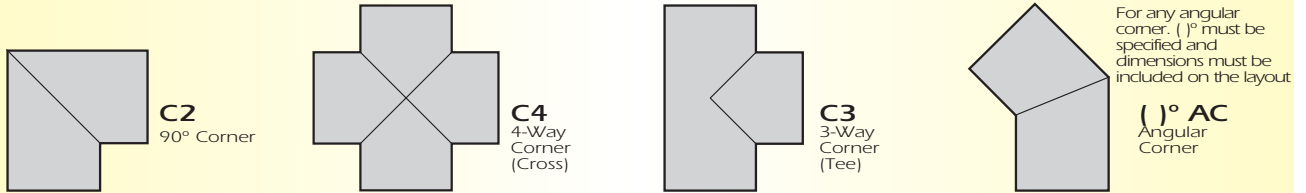
General Illumination

35S10-1

LINEAR SECTIONS AND SUSPENSION LOCATION

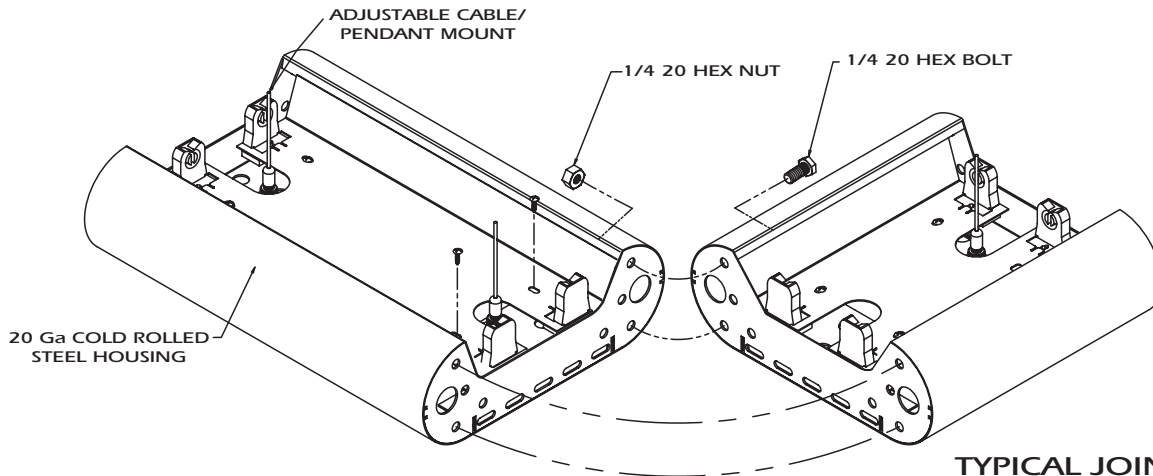


CORNERS Corners and fixture extensions are custom fabricated to precise dimensions. Please indicate the specific requirements on the layout.



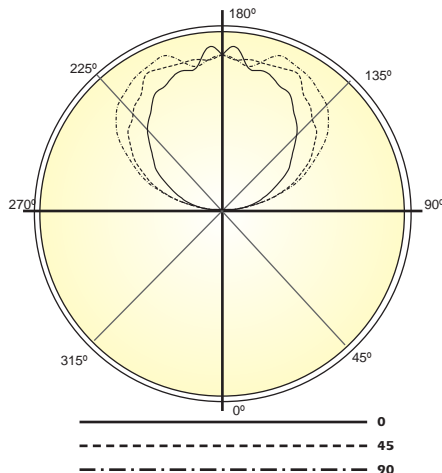
For any pattern, a layout must accompany the order.

INSTALLATION PREPARATION



TYPICAL JOINT DETAIL
JOINING HARDWARE PROVIDED BY DAY-O-LITE

PHOTOMETRY



LAMP (2) 32W T8
LUMENS: 2900 PER LAMP

Candela Distribution:

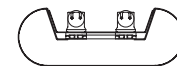
| Vert. Angle | 0 | 22.5 | 45 | 67.5 | 90 |
|-------------|------|------|------|------|------|
| 90 | 107 | 61 | 46 | 40 | 29 |
| 95 | 155 | 164 | 142 | 137 | 136 |
| 100 | 243 | 301 | 308 | 301 | 297 |
| 105 | 326 | 425 | 456 | 463 | 463 |
| 110 | 405 | 526 | 596 | 623 | 640 |
| 115 | 494 | 606 | 709 | 762 | 767 |
| 120 | 602 | 689 | 827 | 906 | 898 |
| 125 | 675 | 765 | 907 | 1006 | 1034 |
| 130 | 747 | 843 | 997 | 1064 | 1123 |
| 135 | 851 | 924 | 1033 | 1146 | 1200 |
| 140 | 932 | 986 | 1105 | 1224 | 1233 |
| 145 | 998 | 1059 | 1146 | 1249 | 1275 |
| 150 | 1087 | 1119 | 1254 | 1288 | 1302 |
| 155 | 1105 | 1156 | 1255 | 1303 | 1320 |
| 160 | 1155 | 1195 | 1241 | 1267 | 1333 |
| 165 | 1173 | 1186 | 1234 | 1304 | 1244 |
| 170 | 1176 | 1258 | 1239 | 1248 | 1183 |
| 175 | 1323 | 1189 | 1222 | 1230 | 1226 |
| 180 | 1259 | 1259 | 1259 | 1259 | 1259 |

Optical Distribution:
100% Indirect

Coefficients of Utilization - Zonal Cavity Method:

pfc = 0.20

| | .8 | .7 | .5 | .3 | .1 | 0 |
|-----|----|----|----|----|----|----|
| pcc | .8 | .7 | .5 | .3 | .1 | 0 |
| pw | .7 | .5 | .3 | .1 | .5 | .3 |
| RCR | .1 | .7 | .5 | .3 | .1 | .5 |
| 0 | 76 | 76 | 76 | 76 | 65 | 65 |
| 1 | 69 | 66 | 63 | 60 | 59 | 56 |
| 2 | 63 | 57 | 53 | 49 | 53 | 49 |
| 3 | 57 | 50 | 45 | 40 | 48 | 43 |
| 4 | 52 | 44 | 38 | 34 | 44 | 38 |
| 5 | 47 | 39 | 33 | 29 | 40 | 33 |
| 6 | 43 | 35 | 29 | 24 | 37 | 30 |
| 7 | 40 | 31 | 25 | 21 | 34 | 26 |
| 8 | 37 | 28 | 22 | 18 | 31 | 24 |
| 9 | 34 | 25 | 20 | 16 | 29 | 21 |
| 10 | 32 | 23 | 17 | 14 | 27 | 19 |



Total Luminaire Optical Efficiency = 80.3%

SCW-2