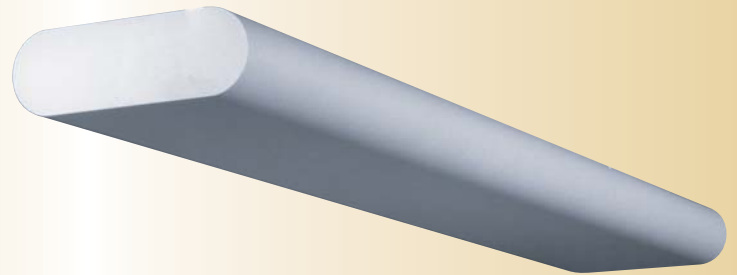
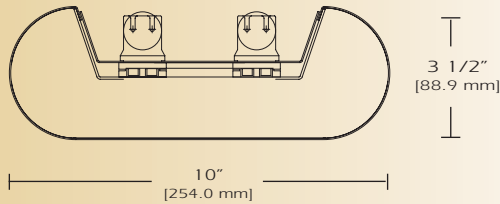


General Illumination

35S10-I



TYPE _____

FEATURES

The 35S10 I series is an indirect version of the family of oval steel luminaires. The 35S10 I is designed with indirect distribution for suspended mounting. This series can be mounted individually, in perfectly aligned continuous rows or in any of combination of patterns. The 35S10 I series is an ideal solution for large spaces with high ceilings. These applications benefit from the widespread indirect distribution.

SPECIFICATIONS

- Housing:** One piece die formed 20-gauge cold rolled steel welded construction forming a 3 1/2" x 10" oval profile. Finished end caps are laser cut 18-gauge cold rolled steel, with no exposed hardware or knockouts.
- Reflector:** Die formed 20-gauge cold rolled steel minimum 90% reflectivity finished in high gloss baked white enamel.
- Electrical:** Ballast is electronic, high power factor, thermally protected class P, sound rated A, with less than 20% total harmonic distortion. The minimum number of ballasts will be used unless otherwise specified.
- Mounting:** Standard installation is an adjustable self-locking aircraft cable assembly 48" x 3/32" in diameter with 5" canopy. One 16/4 SJT straight 54" cord is supplied with each power feed. Standard pendants are available in 24" lengths. See Accessories for additional mounting.
- Finish:** Fixture housing and steel components are finished in baked white enamel applied over a five-stage pretreatment process.
- Lamps:** Fixtures are provided for use with two or three 32 watt T8 lamps or 54 watt T5 HO lamps. (Supplied by Others)
- Certification:** Luminaires are U. L. Listed, C. S. A. certified and are Union Made in the United States of America. I.B.E.W.

ORDERING GUIDE

MODEL NO.	DIRECTION	LAMPS	MOUNTING	LENGTH	FINISH	VOLTAGE	OPTIONS
35S10	- I -	232T8 332T8 254T5 HO 354T5 HO	AC = Cable PD = Pendant	4 = 4 ft 8 = 8 ft	W = White CC = Custom Color	120v 277v	See Options Below
		O =Other Specify	See Accessories	for other, please enter row length (eg. 48=48ft)			

Example: **35S10-I-232T8-AC-4-W-120V**

Example: 35S10 indirect for two 32 watt T8 lamps with two 48inch aircraft cables and power feed four foot fixture finished in baked white enamel 120v electronic ballast less than 20% total harmonic distortion.

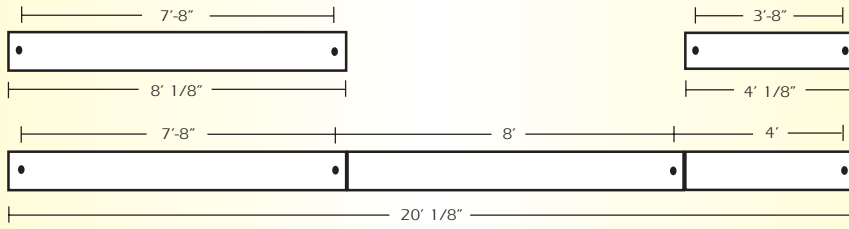
OPTIONS

- E10=** Electronic ballast, high power factor, thermally protected class P, sound rated A, < 10% total harmonic distortion
- DIM=** Dimming Ballast
- EPC=** Emergency Battery Pack
- EMC=** Emergency Circuit
- TCW=** Two Circuit Wiring
- TDW=** Tandem Wiring
- OTH=** See Accessories for other options available

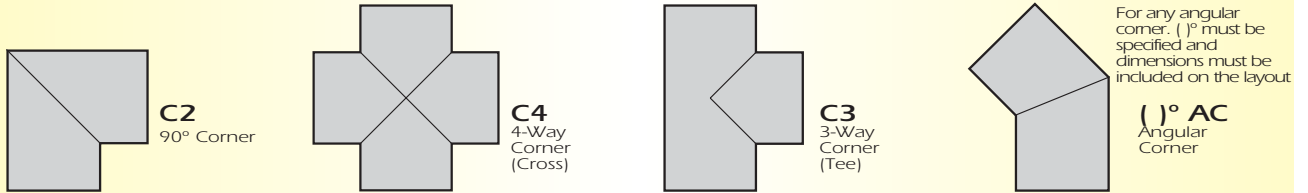
General Illumination

35S10-1

LINEAR SECTIONS AND SUSPENSION LOCATION

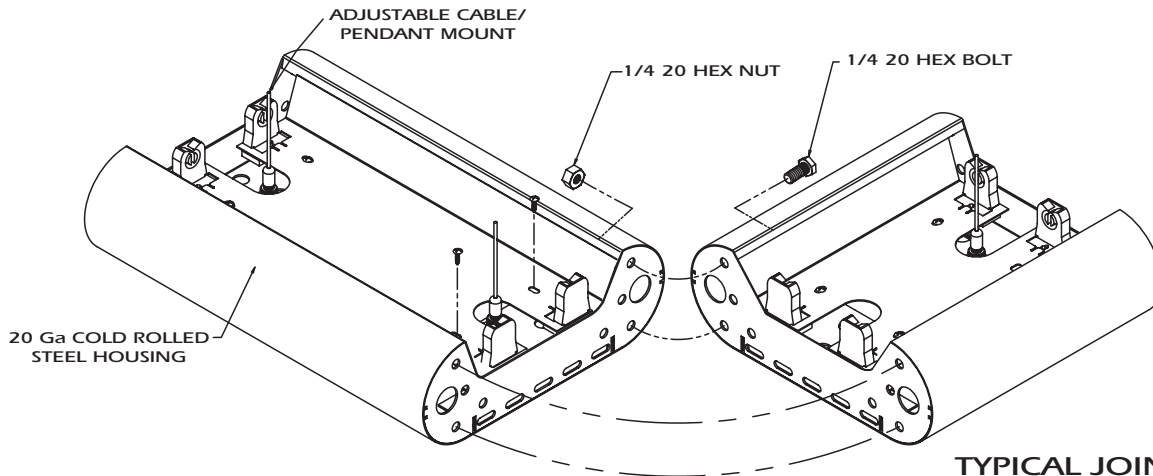


CORNERS Corners and fixture extensions are custom fabricated to precise dimensions. Please indicate the specific requirements on the layout.



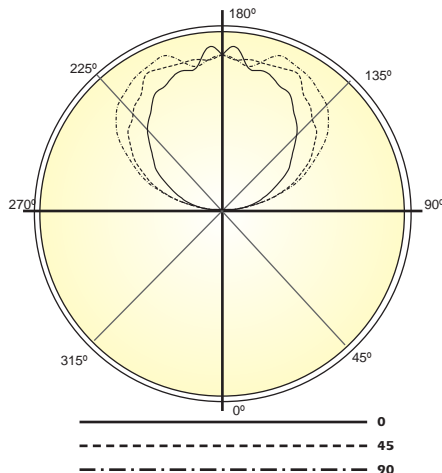
For any pattern, a layout must accompany the order.

INSTALLATION PREPARATION



TYPICAL JOINT DETAIL
JOINING HARDWARE PROVIDED BY DAY-O-LITE

PHOTOMETRY



LAMP (2) 32W T8
LUMENS: 2900 PER LAMP

Candela Distribution:

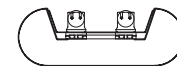
Vert. Angle	0	22.5	45	67.5	90
90	107	61	46	40	29
95	155	164	142	137	136
100	243	301	308	301	297
105	326	425	456	463	463
110	405	526	596	623	640
115	494	606	709	762	767
120	602	689	827	906	898
125	675	765	907	1006	1034
130	747	843	997	1064	1123
135	851	924	1033	1146	1200
140	932	986	1105	1224	1233
145	998	1059	1146	1249	1275
150	1087	1119	1254	1288	1302
155	1105	1156	1255	1303	1320
160	1155	1195	1241	1267	1333
165	1173	1186	1234	1304	1244
170	1176	1258	1239	1248	1183
175	1323	1189	1222	1230	1226
180	1259	1259	1259	1259	1259

Optical Distribution:
100% Indirect

Coefficients of Utilization - Zonal Cavity Method:

pfc = 0.20

	.8	.7	.5	.3	.1	0
pcc	.8	.7	.5	.3	.1	0
pw	.7	.5	.3	.1	.5	.3
RCR	.1	.7	.5	.3	.1	.5
0	76	76	76	76	65	65
1	69	66	63	60	59	56
2	63	57	53	49	53	49
3	57	50	45	40	48	43
4	52	44	38	34	44	38
5	47	39	33	29	40	33
6	43	35	29	24	37	30
7	40	31	25	21	34	26
8	37	28	22	18	31	24
9	34	25	20	16	29	21
10	32	23	17	14	27	19



Total Luminaire Optical Efficiency = 80.3%