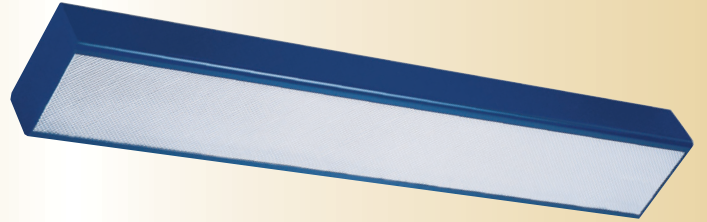
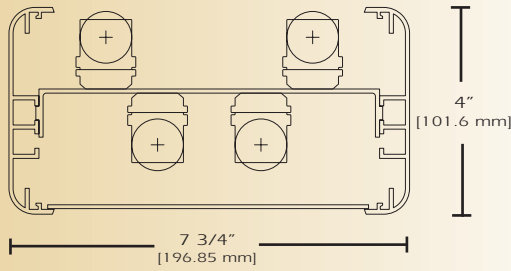


# Squares

AD-SS7-DI



TYPE \_\_\_\_\_

FEATURES

The AD-SS7 soft square series is an extruded aluminum luminaire available with a clear prismatic acrylic lens. The luminaires can be mounted individually, in rows or in any of combination of patterns. The luminaires in this series provide low glare and widespread illumination. The simplicity of the AD-SS7 series is the solution for open spaces while providing maximum design versatility to meet the perceived source of illumination for a specific environment.

SPECIFICATIONS

**Housing:** Two piece heavy gauge extruded aluminum 6063T5 alloy welded construction forming a 4" x 7 3/4" soft square profile. Finished end caps are welded with no exposed hardware or knockouts.

**Reflector:** Die formed 20-gauge cold rolled steel minimum 90% reflectivity finished in high gloss baked white enamel.

**Shielding:** Standard lens is injection molded Prismatic Acrylic (PRS). Nominal thickness .125

**Electrical:** Ballast is electronic, high power factor, thermally protected class P, sound rated A, with less than 20% total harmonic distortion. The minimum number of ballasts will be used unless otherwise specified.

**Mounting:** Standard installation is an adjustable self-locking aircraft assembly 48" x 3/32" in diameter with 5" canopy. One 16/4 SJT straight 54" cord is supplied with each power feed. Standard pendants are available in 24" lengths. See Accessories for additional mounting.

**Finish:** Fixture housing and steel components are finished in baked white enamel applied over a five-stage pretreatment process.

**Lamps:** Fixtures are provided for use with two to four 32 watt T8 lamps or 54 watt T5 HO lamps. (Supplied by Others)

**Certification:** Luminaires are U. L. Listed, C. S. A. certified and are Union Made in the United States of America I.B.E.W.

ORDERING GUIDE

MODEL NO.	DIRECTION	SHIELDING	NO. OF LAMPS	WATTAGE	MOUNTING	LENGTH	FINISH	VOLTAGE	OPTIONS
<b>AD-SS7</b>	<b>DI</b>								
<b>AD-SS7</b>	<b>DI</b> = Direct/Indirect	<b>PRS</b> = Prismatic Acrylic Lens <b>SCB</b> = Steel Cross Baffle <b>WOA</b> = White Opal Acrylic	<b>2U1D</b> = Two Up One Down <b>2U2D</b> = Two Up Two Down <b>1U2D</b> = One Up Two Down <b>1U1D</b> = One Up One Down	<b>32 T8</b> <b>54 T5 HO</b> <b>O</b> =Other Specify	<b>AC</b> = Cable <b>PD</b> = Pendant <b>WM</b> = Wall Mount  See Accessories	<b>4</b> = ft <b>8</b> = ft  for other, please enter row length (eg. 48=48ft)	<b>W</b> = White <b>CC</b> = Custom Color	<b>120v</b> <b>277v</b>	See Options Below

Example: **ADSS7-DI-PRS-2U2D-32T8-AC-4-W-120V**

ADSS7 direct/indirect with prismatic acrylic lens down and open up for two 32 watt T8 lamps down and two 32 watt T8 lamps up including two 48 inch aircraft cables and power feed four foot fixture finished in baked white enamel 120V electronic ballast less than 20% total harmonic distortion.

OPTIONS

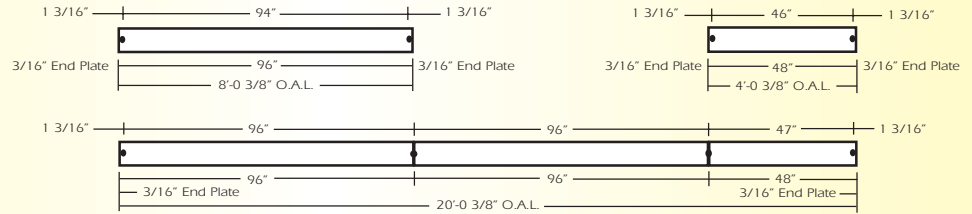
- E10=** Electronic ballast, high power factor, thermally protected class P, sound rated A, < 10% total harmonic distortion
- DIM=** Dimming Ballast
- EPC=** Emergency Battery Pack
- EMC=** Emergency Circuit
- TCW=** Two Circuit Wiring
- TDW=** Tandem Wiring
- OTH=** See Accessories for other options available

# Squares

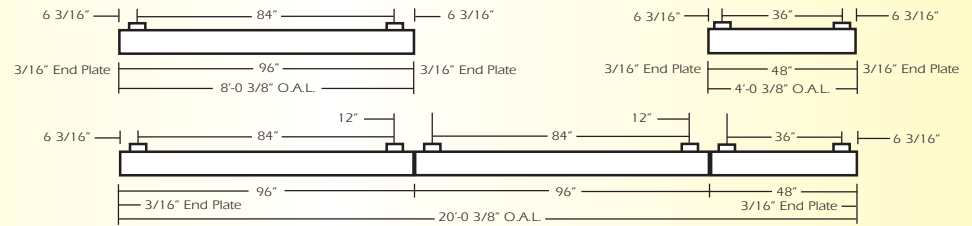
AD-SS7-DI

LINEAR SECTIONS AND SUSPENSION LOCATION

## SUSPENSION MOUNTING

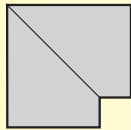


## WALL MOUNTING

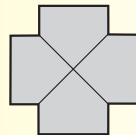


## CORNERS

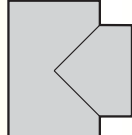
Corners and fixture extensions are custom fabricated to precise dimensions. Please indicate the specific requirements on the layout



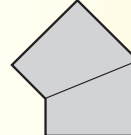
**C2**  
90° Corner



**C4**  
4-Way  
Corner  
(Cross)



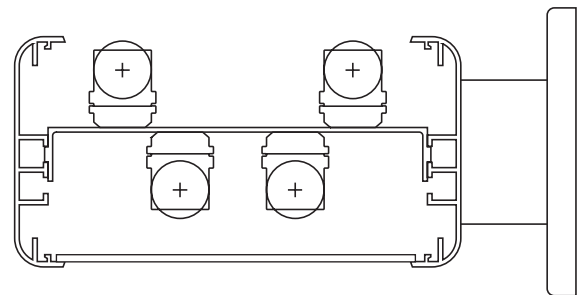
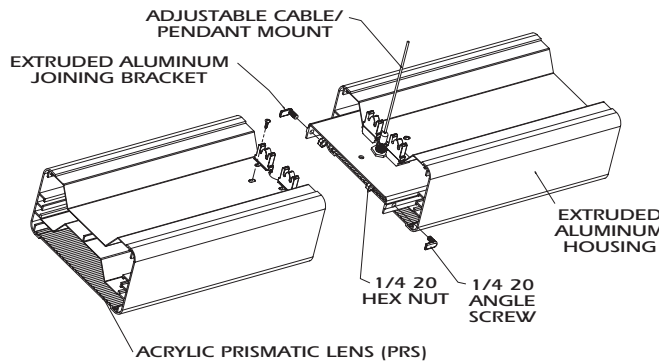
**C3**  
3-Way  
Corner  
(Tee)



**( )° AC**  
Angular  
Corner

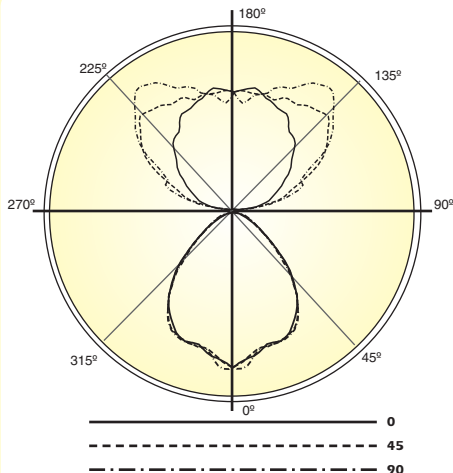
For any angular corner, ( )° must be specified and dimensions must be included on the layout  
For any pattern, a layout must accompany the order.

INSTALLATION PREPARATION



**WALL BRACKET**

PHOTOMETRY



LAMP (4) 32W T8  
LUMENS: 2900 PER LAMP

### Candela Distribution:

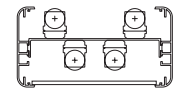
Vert. Angle	0	22.5	45	67.5	90
0	1538	1538	1538	1538	1538
10	1438	1502	1538	1550	1504
20	1418	1403	1448	1439	1393
30	1358	1333	1344	1377	1350
40	1003	1019	976	973	970
50	615	604	579	553	537
60	293	291	281	267	263
70	156	159	150	147	147
80	57	59	67	64	68
90	18	13	18	18	21
100	206	267	324	329	314
110	348	496	539	596	605
120	511	631	798	829	835
130	622	752	920	1036	1010
140	804	832	990	1080	1095
150	863	918	1011	1053	1092
160	968	983	1041	1025	1046
170	1036	1072	1053	1061	1014
180	1218	1218	1218	1218	1218

**Optical Distribution:**  
44% Direct: 56% Indirect

### Coefficients of Utilization - Zonal Cavity Method:

pfc = 0.20

	.8	.7	.5	.3	.1	0
pcc	.8	.7	.5	.3	.1	0
pw	.7 .5 .3 .1	.7 .5 .3 .1	.5 .3 .1	.5 .3 .1	.5 .3 .1	0
RCR						
0	68 68 68 68	62 62 62 62	52 52 52	42 42 42	33 33 33	28
1	63 60 58 56	57 55 53 51	46 45 43	37 37 36	28 28 28	25
2	57 53 49 46	52 49 46 43	41 39 37	33 32 31	24 24 24	22
3	53 47 43 39	48 43 40 36	36 34 31	30 28 26	21 21 21	19
4	48 42 37 33	44 39 35 31	33 30 27	27 25 23	19 19 19	17
5	45 37 33 29	41 35 30 27	29 26 24	24 22 20	16 16 16	15
6	41 34 29 25	38 31 27 24	27 23 21	22 20 18	15 15 15	13
7	38 31 26 22	35 28 24 21	24 21 18	20 18 16	13 13 13	12
8	35 28 23 20	32 26 22 19	22 19 16	19 16 14	12 12 12	11
9	33 25 21 18	30 24 20 17	20 17 15	17 15 13	11 11 11	10
10	31 23 19 16	28 22 18 15	19 16 13	16 13 12	10 10 10	9



**Total Luminaire Optical Efficiency = 64.0%**