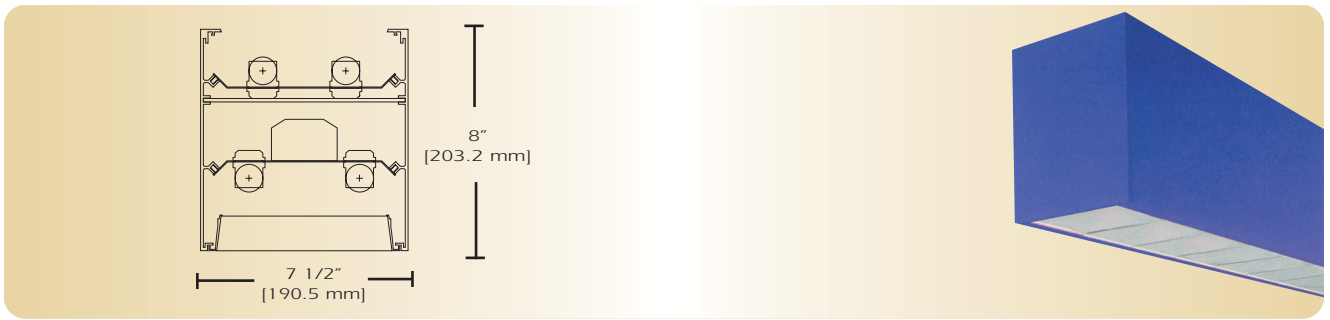


Squares

AD-78-DI



TYPE _____

FEATURES

The AD 78 architectural linear series are extraordinarily efficient aluminum luminaires. The AD 78 is designed with direct and indirect distribution for suspended or wall mounting. This series can be mounted individually, in perfectly aligned continuous rows, or in any combination of patterns. This series is available with direct and indirect lamp control and almost limitless variety of down light shielding. The AD 78 series is an ideal solution for open spaces and provides maximum design versatility.

SPECIFICATIONS

- Housing:** Two piece heavy gauge extruded aluminum 6063T5 alloy welded construction forming a 7 1/2" x 8" profile. Finished end caps are welded to housing with no exposed hardware or knockouts.
- Reflector:** Die formed 20-gauge cold rolled steel minimum 90% reflectivity finished in high gloss baked white enamel.
- Shielding:** Parabolic louver is semi-specular low iridescence aluminum 1 1/4" x 2.0" O.C. with 24 cells per 4' section. Four spring clips secure snap in baffle including two tethers.
- Electrical:** Ballast is electronic, high power factor, thermally protected class P, sound rated A, with less than 20% total harmonic distortion. The minimum number of ballasts will be used unless otherwise specified.
- Mounting:** Standard installation is an adjustable self-locking aircraft cable assembly 48" x 3/32" in diameter with 5" canopy. One 16/4 SJT straight 54" cord is supplied with each power feed. Standard pendants are available in 24" lengths. See Accessories for additional mounting.
- Finish:** Fixture housing and steel components are finished in baked white enamel applied over a five-stage pretreatment process.
- Lamps:** Fixtures are provided for use with two to four 32 watt T8 lamps or 54 watt T5 HO lamps. (Supplied by Others)
- Certification:** Luminaires are U. L. Listed, C. S. A. certified and are Union Made in the United States of America I.B.E.W.

ORDERING GUIDE

MODEL NO.	DIRECTION	SHIELDING	NO. OF LAMPS	LAMPS	MOUNTING	LENGTH	FINISH	VOLTAGE	OPTIONS
AD78	DI								
AD78	DI = Direct/Indirect	PBL =Parabolic Louver SCB = Steel Cross Baffle PRS =Prismatic Acrylic WOA = White Opal Acrylic	1U1D = One Up/One Down 1U2D = One Up/Two Down *2U1D =Two Up/One Down *2U2D =Two UP/Two Down <small>*Symmetric Indirect Only</small>	17 T8 (2') 25 T8 (3') 32 T8 (4') 40 T8 (5') 28 T5 (4') 54 T5 HO (4') O =Other Specify	AC = Cable PD = Pendant WM = Wall See Accessories	2 = ft 3 = ft 4 = ft 5 = ft 6 = ft 8 = ft for other, please enter row length (eg. 48=48ft)	W = White CC = Custom Color	120v 277v	See Options Below

Example: **AD78-DI PBL-2U2D-32T8-AC-4-W-120V**

Example: AD78 direct/indirect with parabolic louver down and open up for two 32 watt T8 lamps down and two 32 watt T8 lamps up including two 48 inch aircraft cables and power feed four foot fixture finished in baked white enamel 120V electronic ballast less than 20% total harmonic distortion.

OPTIONS

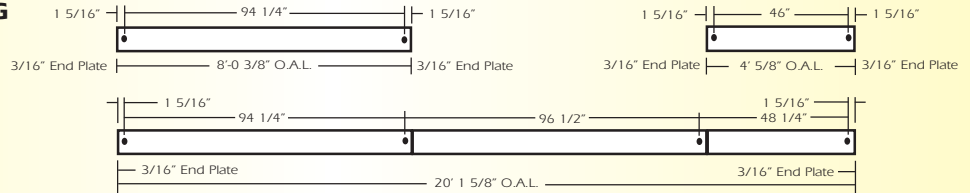
- E10=** Electronic ballast, high power factor, thermally protected class P, sound rated A, < 10% total harmonic distortion
- DIM=** Dimming Ballast
- EPC=** Emergency Battery Pack
- EMC=** Emergency Circuit
- TCW=** Two Circuit Wiring
- TDW=** Tandem Wiring
- OTH=** See Accessories for other options available

Squares

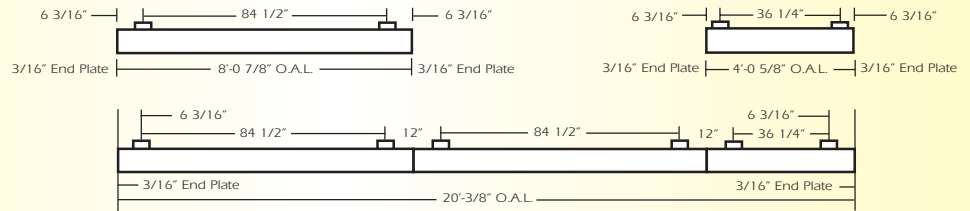
AD-78-DI

LINEAR SECTIONS AND SUSPENSION LOCATION

SUSPENSION MOUNTING

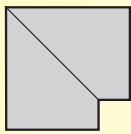


WALL MOUNTING

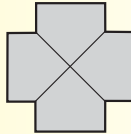


CORNERS

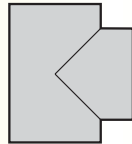
Corners and fixture extensions are custom fabricated to precise dimensions. Please indicate the specific requirements on the layout



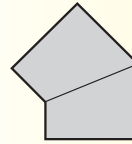
C2
90° Corner



C4
4-Way Corner (Cross)



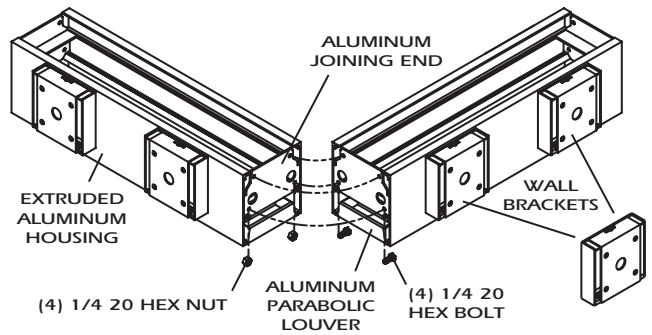
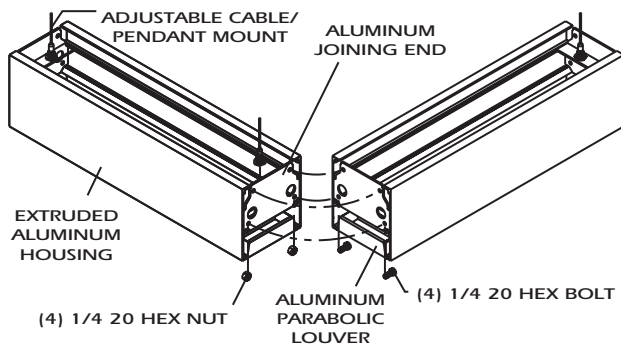
C3
3-Way Corner (Tee)



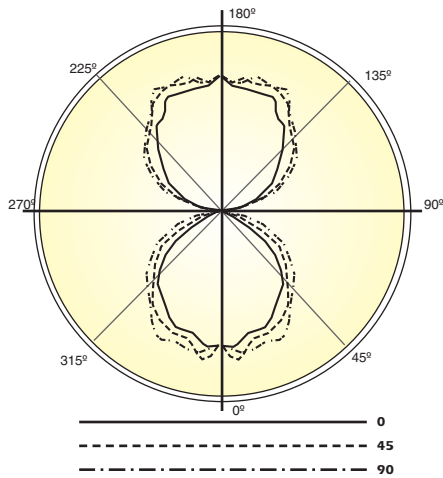
()° AC
Angular Corner

For any angular corner, ()° must be specified and dimensions must be included on the layout
For any pattern, a layout must accompany the order.

INSTALLATION PREPARATION



PHOTOMETRY



Candela Distribution:

Vert. Angle	0	22.5	45	67.5	90
0	1406	1406	1406	1406	1406
10	1330	1389	1437	1481	1493
20	1288	1303	1353	1394	1445
30	1125	1189	1253	1248	1380
40	978	1001	1043	1065	1177
50	709	801	813	851	975
60	129	221	492	594	765
70	42.9	46.7	99.0	294	447
80	12.8	10.4	19.0	37.6	159
90	1.08	0.930	0.190	0.110	0.140
100	170	220	204	196	210
110	372	464	510	537	498
120	592	674	757	825	819
130	777	869	947	988	977
140	974	1015	1116	1154	1166
150	1143	1246	1312	1323	1367
160	1296	1300	1392	1424	1402
170	1291	1333	1426	1388	1397
180	1405	1405	1405	1405	1405

Optical Distribution:
44% Direct: 56% Indirect

Coefficients of Utilization - Zonal Cavity Method:

pfc = 0.20

	.8	.7	.5	.3	.1	0
pcc	.8	.7	.5	.3	.1	0
pw	.7 .5 .3 .1	.7 .5 .3 .1	.5 .3 .1	.5 .3 .1	.5 .3 .1	0
RCR	0	73 73 73 73	67 67 67 67	55 55 55	44 44 44	35 35 35 30
1	67 64 62 59	61 59 57 55	49 47 46	40 39 38	31 31 30	26
2	61 56 52 49	56 52 48 45	43 41 39	35 34 32	28 27 26	23
3	56 50 45 41	51 46 42 38	38 35 33	31 29 27	25 24 22	19
4	51 44 39 35	47 41 36 32	34 31 28	28 26 24	22 21 19	17
5	47 39 34 30	43 36 31 28	30 27 24	25 22 20	20 18 17	15
6	43 35 30 26	39 32 28 24	27 24 21	23 20 18	18 16 15	13
7	40 32 26 23	36 29 25 21	25 21 18	21 18 16	17 15 13	11
8	37 29 23 20	34 27 22 19	23 19 16	19 16 14	15 13 12	10
9	34 26 21 18	31 24 20 17	21 17 15	17 14 12	14 12 10	9
10	32 24 19 16	29 22 18 15	19 15 13	16 13 11	13 11 9	8



Total Luminaire Optical Efficiency = 69.2%