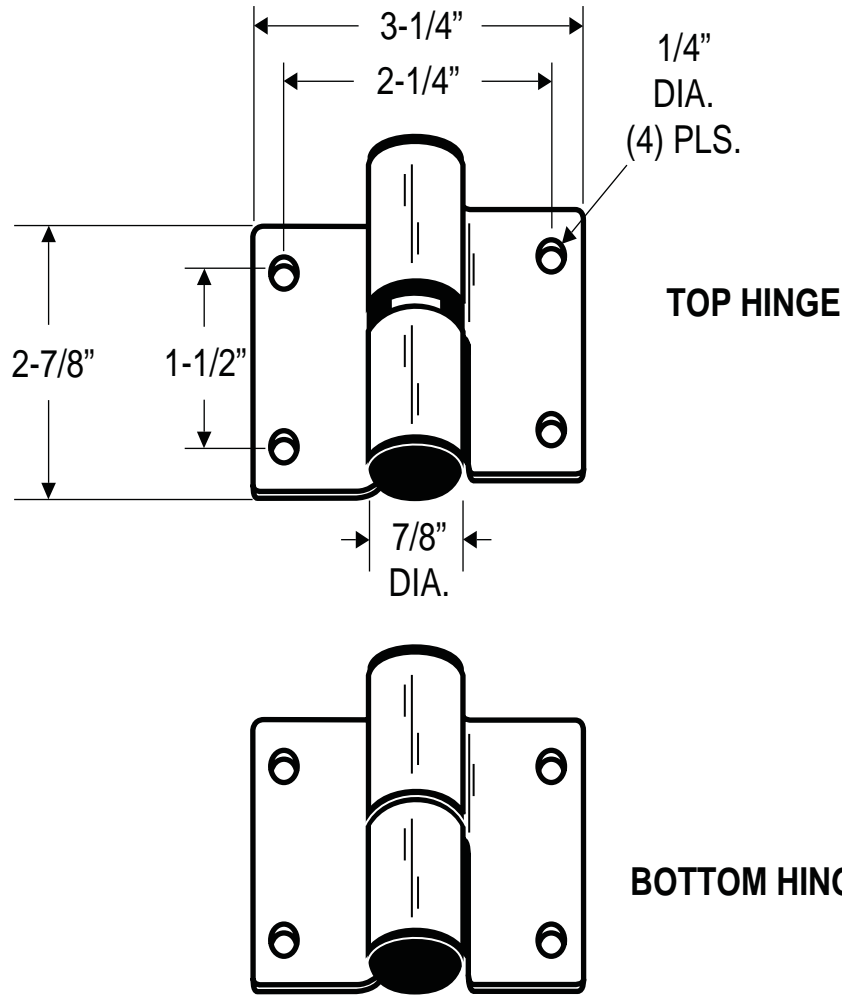
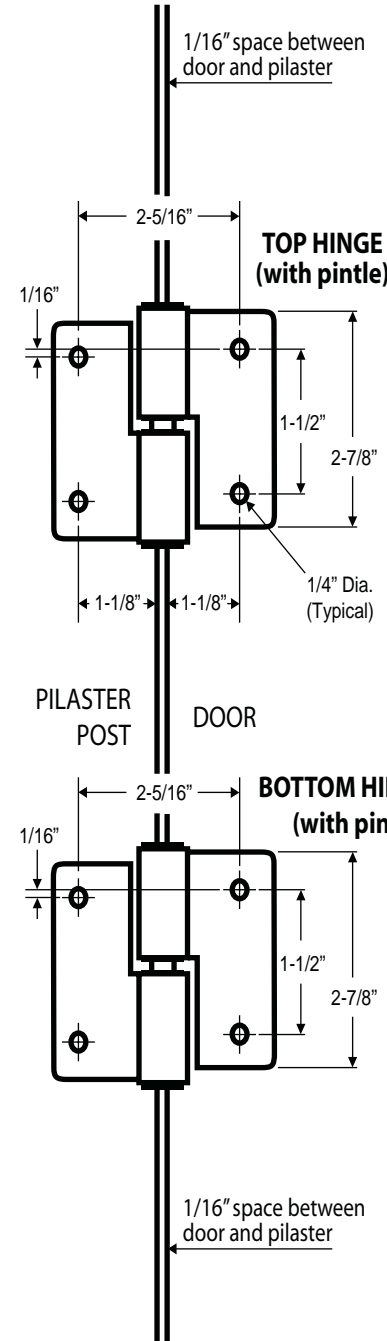


**7093
(SURFACE MOUNTED HINGE - RH-IN/LH-OUT)**



**NOTE: HINGE THICKNESS AT 1/8"
TOP AND BOTTOM HINGE DIMENSIONS ARE SAME**

**INSTRUCTIONS FOR INSTALLING
7093 SURFACE MOUNTED HINGES**



1. Locate and set hinges to pilaster post as per drawing.
2. With door in "at rest" position, locate and set **upper** and **lower** hinges on door as per drawing. This is to allow for the rise of the door when opening.
3. The hinges are handed for left hand (LH) or right hand (RH) swing. The same hinge may be used for LH outswing or RH inswing. Part No. 7103 would be used for RH outswing or LH inswing.
4. To adjust position of door closing, drive pintle from bottom leaf of top door hinge and turn to desired position.

