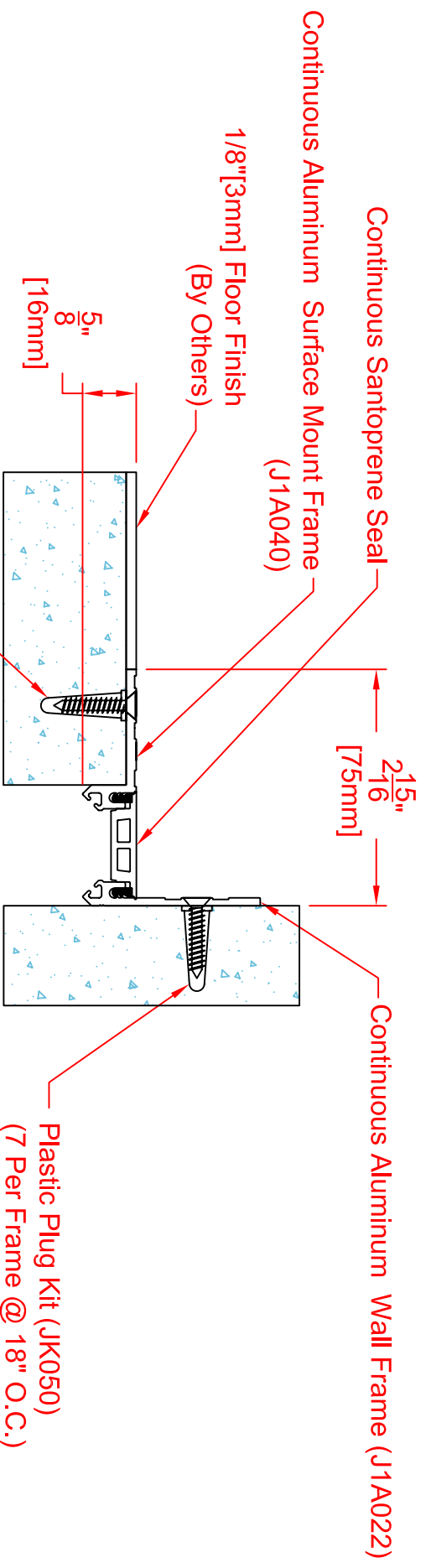


SPECIFY SEAL COLOR	
Black (J1D001)	
Beige (J1D002)	
Gray (J1D003)	
Off White (J1D004)	
Bright White (J1D005)	

Aluminum Finish-Mill

103-A02-025 SYSTEM

Joint Width	Movement ±		Load	
	Horizontal	Vertical	US Ton	KN
US 25 mm	US 1/4"	US 6 mm	US 2.8 Ton	KN 25

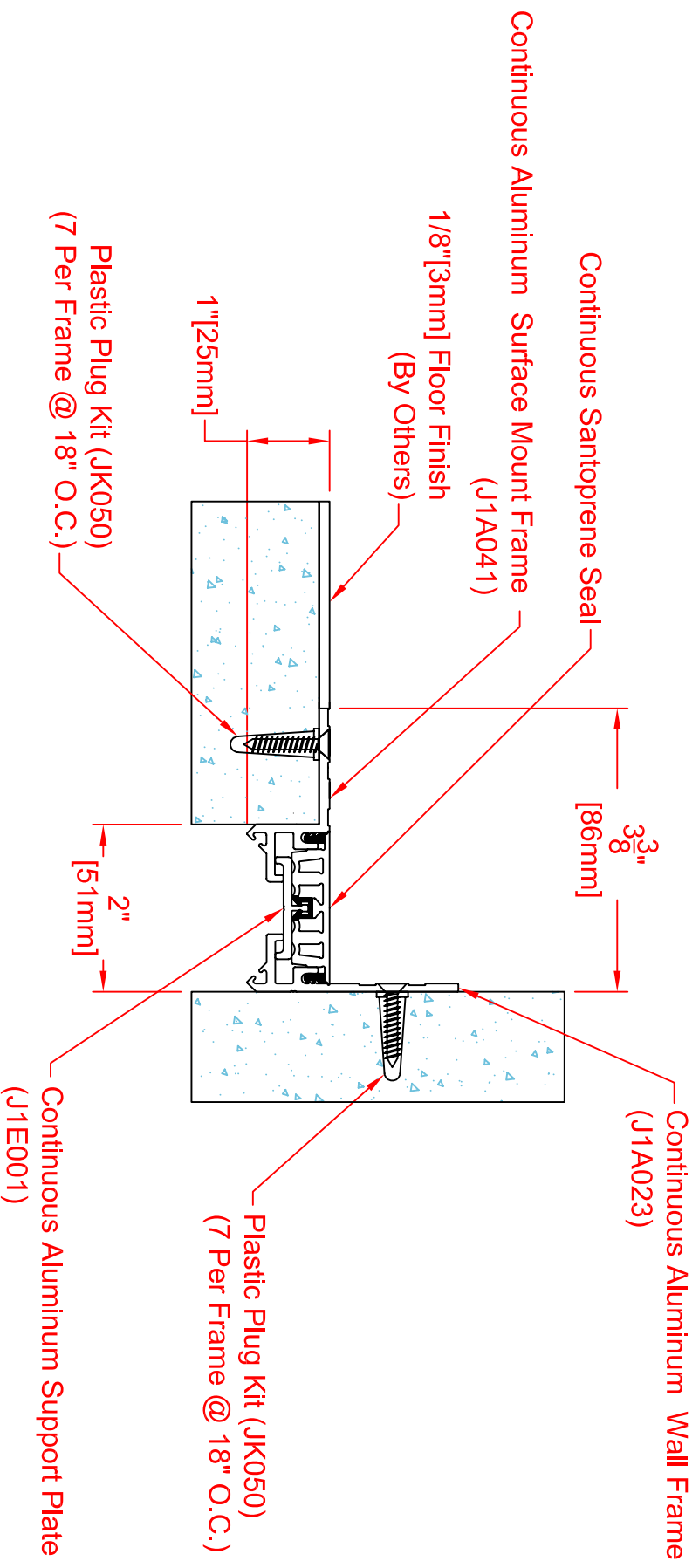


SPECIFY SEAL COLOR	
Black (J1D006)	
Beige (J1D007)	
Gray (J1D008)	
Off White (J1D009)	
Bright White (J1D010)	

Aluminum Finish-Mill

103-A02-038 SYSTEM

Joint Width	Movement ±		Load
	Horizontal	Vertical	
US 38	mm 10	US 3/8"	US Ton 2.7
mm 38	US 3/8"	mm 10	KN 24

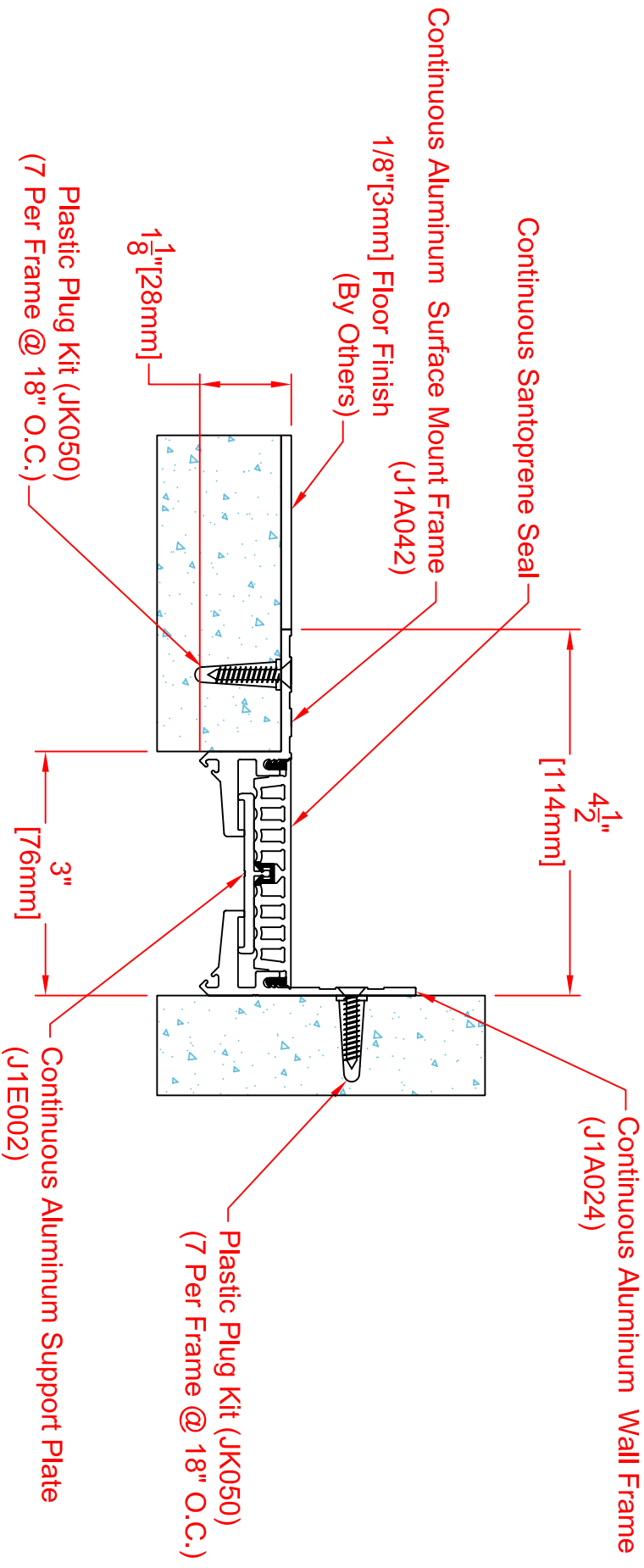


SPECIFY SEAL COLOR	
Black	(11D011)
Beige	(11D012)
Gray	(11D013)
Off White	(11D014)
Bright White	(11D015)

Aluminum Finish-MIII

Joint Width	Movement ±		Load
	Horizontal	Vertical	
US 2"	mm 51	US 1/2"	mm 13
mm 51	US 1/2"	mm 13	US Ton 1.7
			KN 15

103-A02-050 SYSTEM



SPECIFY SEAL COLOR	
Black (J1D021)	
Beige (J1D022)	
Gray (J1D023)	
Off White (J1D024)	
Bright White (J1D025)	

Aluminum Finish-III

Joint Width	Movement ±		Load
	Horizontal	Vertical	
US 3"	US 3/4"	US 3/4"	US Ton 1.7
mm 76	mm 19	mm 19	kN 15

103-A02-075 SYSTEM