

SPECIFY SEAL COLOR	
Black (J1D001)	
Beige (J1D002)	
Gray (J1D003)	
Off White (J1D004)	
Bright White (J1D005)	

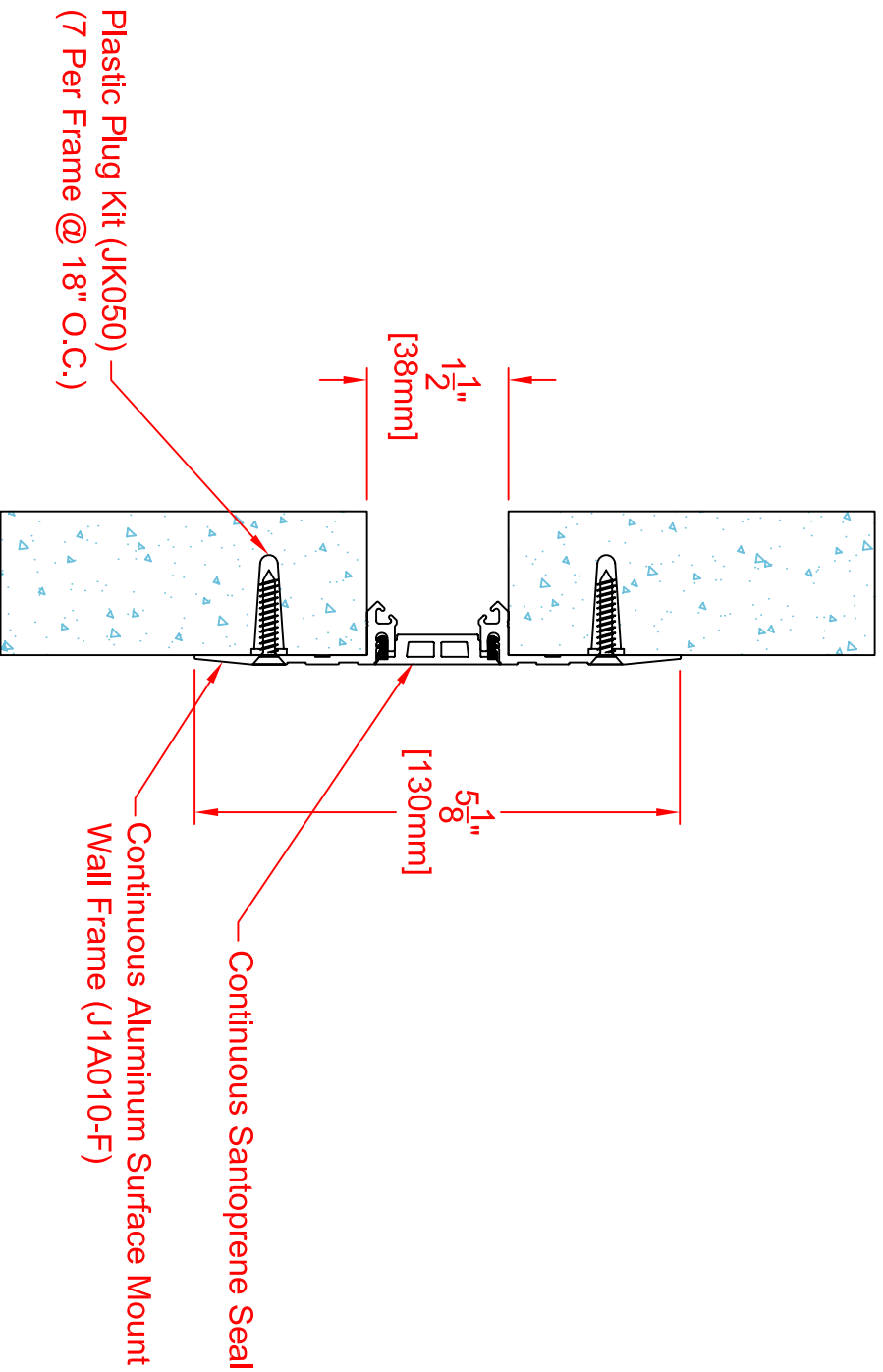
Aluminum Finish-204-R1 Clear Anodized

104-A07-025 SYSTEM

Joint Width	Movement ±	
	Horizontal	Vertical
US 1"	mm 25	US 1/4"
mm 25	US 1/4"	mm 6
US 1"	mm 25	US 1/4"
mm 25	US 1/4"	mm 6

APPLICATION-

SURFACE MOUNT WALL/WALL - CEILING/CEILING CONDITION



SPECIFY SEAL COLOR	
Black (J1D006)	
Beige (J1D007)	
Gray (J1D008)	
Off White (J1D009)	
Bright White (J1D010)	

Aluminum Finish-204-R1 Clear Anodized

104-A07-038 SYSTEM

Joint Width	Movement ±	
	Horizontal	Vertical
US mm	US mm	US mm
1-1/2" 38	3/8" 10	3/8" 10



JOINTMASTER
ARCHITECTURAL JOINT SYSTEMS

DATE: May 2005

SCALE: 1/2

REV:

APPLICATION-

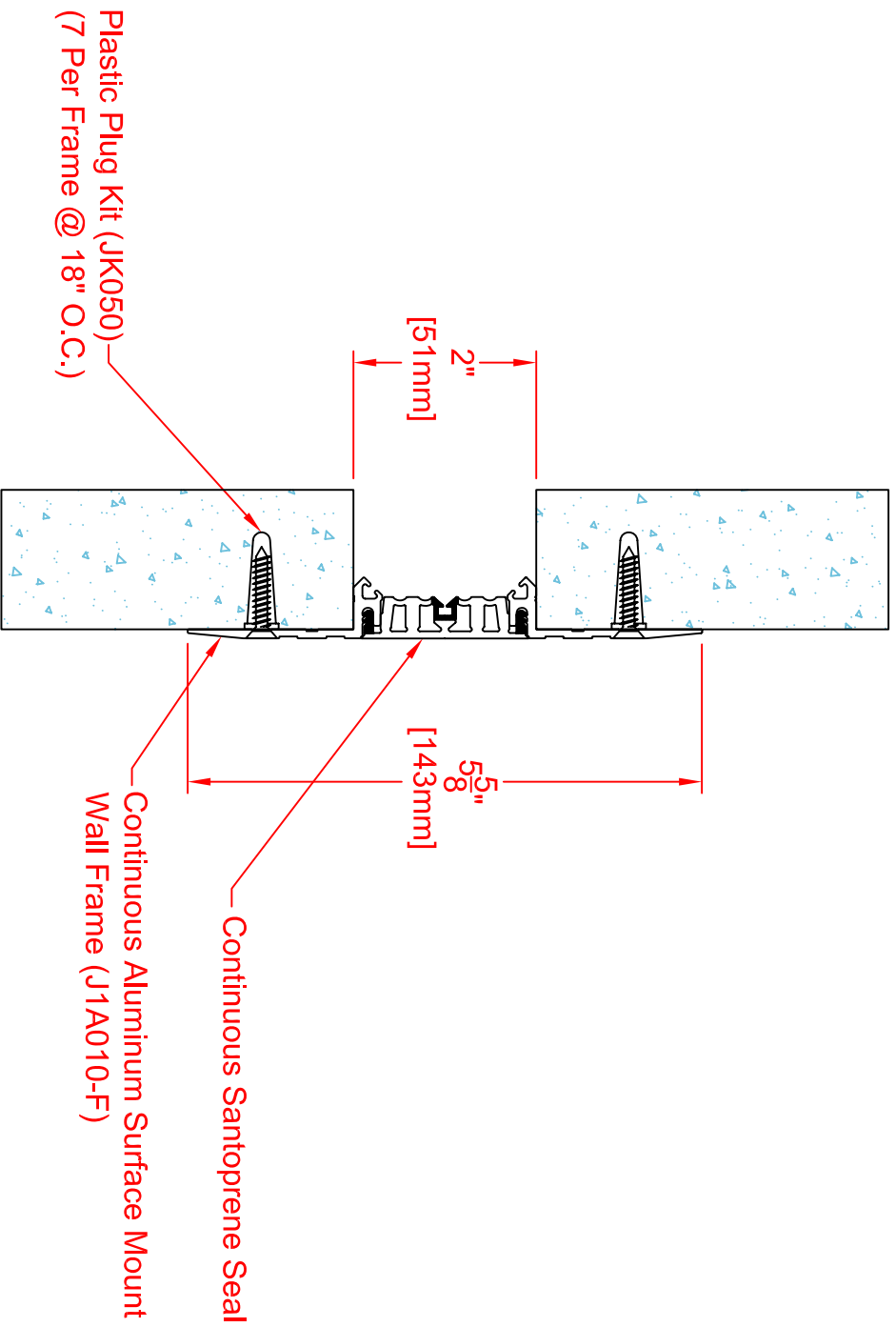
SURFACE MOUNT WALL/WALL - CEILING/CEILING CONDITION



Interior and Exterior Architectural Products
S80 W18766 Apollo Drive
Muskego, WI 53150 USA

SPECIFY SEAL COLOR	
Black (J1D011)	
Beige (J1D012)	
Gray (J1D013)	
Off White (J1D014)	
Bright White (J1D015)	

Aluminum Finish-204-R1 Clear Anodized



104-A07-050 SYSTEM

Joint Width	Movement ±	
	Horizontal	Vertical
US 2"	US 1/2"	US 1/2"
mm 51	mm 13	mm 13

APPLICATION-

SURFACE MOUNT WALL/WALL - CEILING/CEILING CONDITION

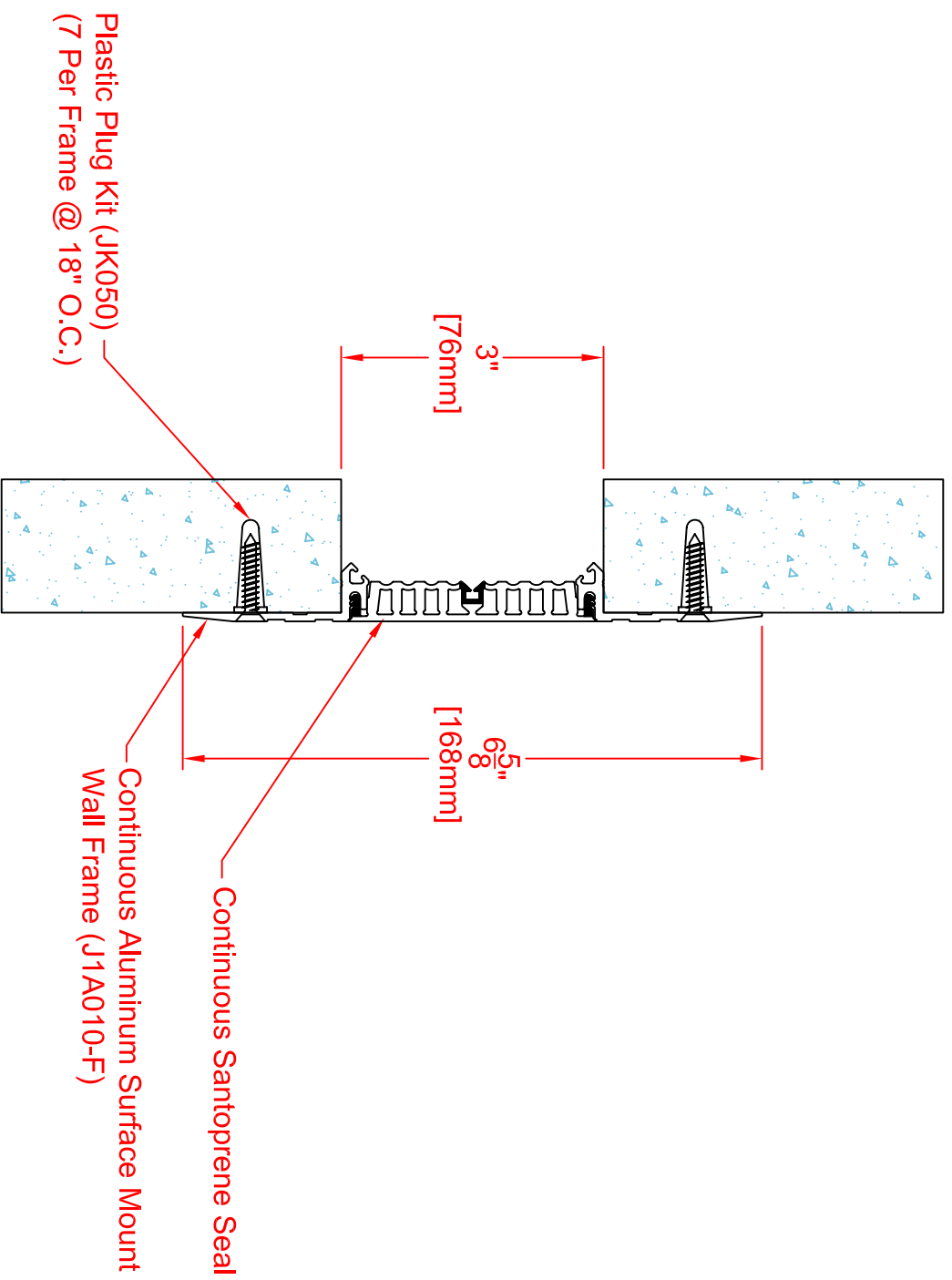
INPro
JOINTMASTER
ARCHITECTURAL JOINT SYSTEMS

DATE: May, 2002

SCALE: Half

REV: (B) 6/28/04

INPro CORPORATION
Interior and Exterior Architectural Products
S80 W18766 Apollo Drive
Muskego, WI 53150 USA



Plastic Plug Kit (JK050)
(7 Per Frame @ 18" O.C.)

Continuous Aluminum Surface Mount
Wall Frame (J1A010-F)

Continuous Santoprene Seal

SPECIFY SEAL COLOR	
Black	(J1D021)
Beige	(J1D022)
Gray	(J1D023)
Off White	(J1D024)
Bright White	(J1D025)

Aluminum Finish-204-R1 Clear Anodized

104-A07-075 SYSTEM

Joint Width	Movement ±				
	Horizontal	Horizontal	Vertical	Vertical	
US 3"	mm 76	US 3/4"	mm 19	US 3/4"	mm 19

APPLICATION-

SURFACE MOUNT WALL/WALL - CEILING/CEILING CONDITION