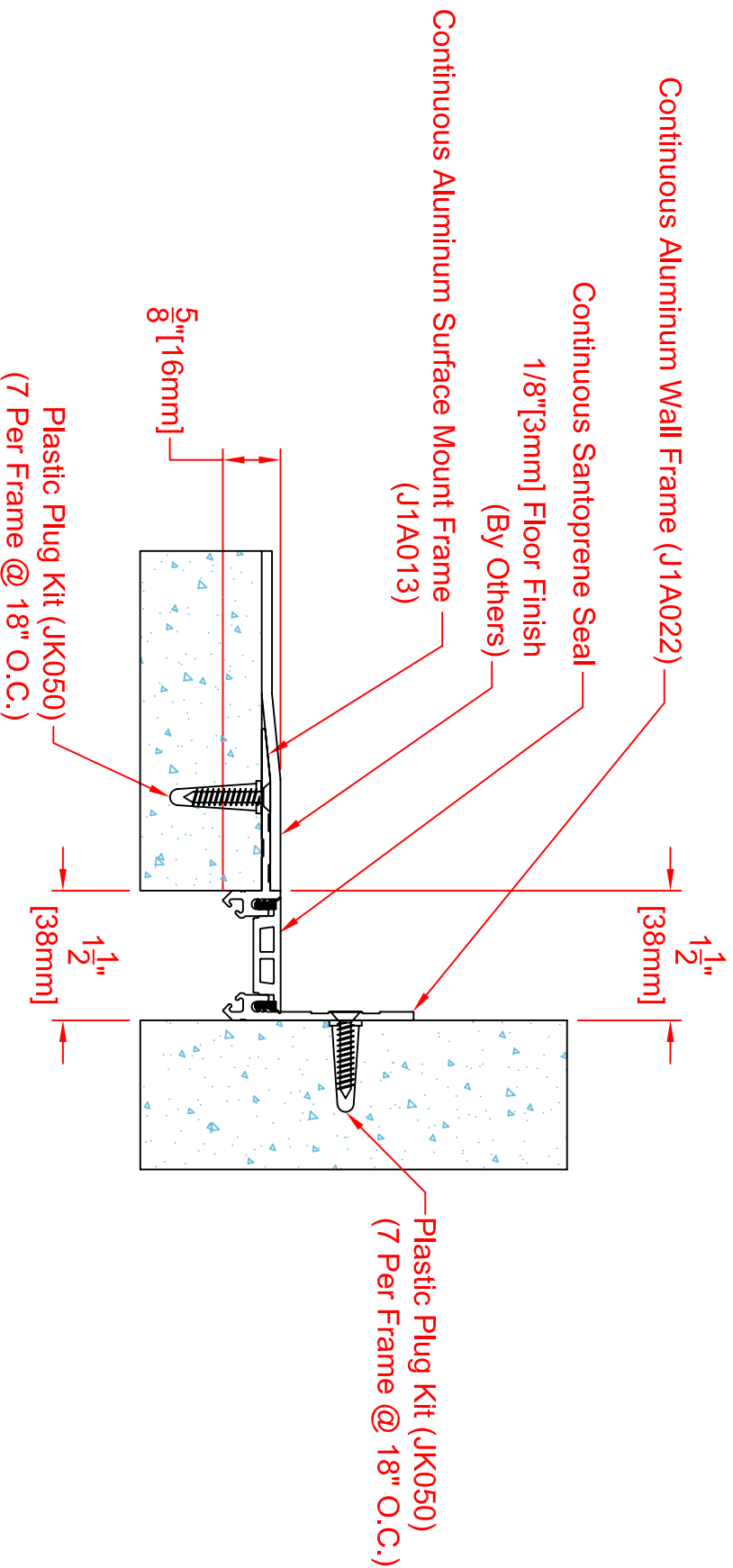


SPECIFY SEAL COLOR	
Black	(J1D006)
Beige	(J1D007)
Gray	(J1D008)
Off White	(J1D009)
Bright White	(J1D010)

Aluminum Finish-Mill

Joint Width	Movement ±		Load
	Horizontal	Vertical	
US 1"	mm 25	US 1/4"	mm 6
US 25	mm 1/4"	US 6	mm 1/4"
			US 2.8
			KN 25

105-A02-025 SYSTEM



SPECIFY SEAL COLOR	
Black (J1D006)	
Beige (J1D007)	
Gray (J1D008)	
Off White (J1D009)	
Bright White (J1D010)	

Aluminum Finish-Mill

		Movement ±		Load			
Joint Width	Horizontal	Vertical	US	mm	US Ton	KN	
US	mm	US	mm	US	mm	US Ton	KN
1-1/2"	38	3/8"	10	3/8"	10	2.7	24

105-A02-038 SYSTEM

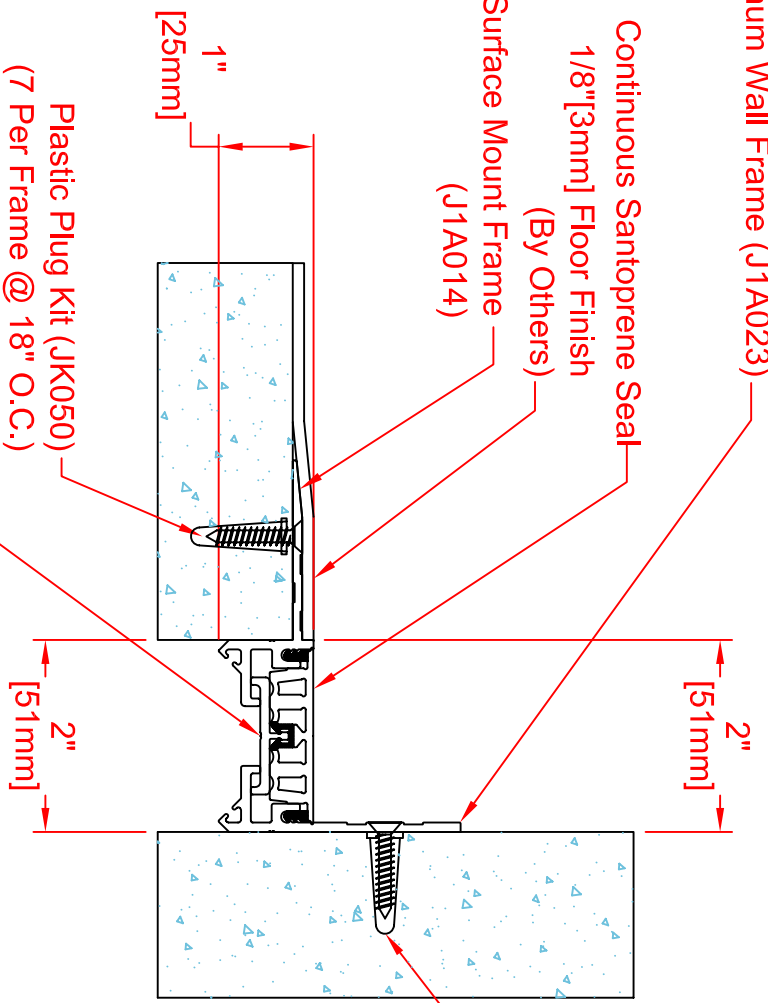
APPLICATION-

SURFACE MOUNT FLOOR/WALL CONDITION
FOR 1/8" SHEET VINYL FLOORING

Continuous Aluminum Wall Frame (J1A023)

Continuous Santoprene Seal
1/8"[3mm] Floor Finish
(By Others)

Continuous Aluminum Surface Mount Frame
(J1A014)



Plastic Plug Kit (JK050)
(7 Per Frame @ 18" O.C.)

Plastic Plug Kit (JK050)
(7 Per Frame @ 18" O.C.)

Continuous Aluminum Support Plate (J1E001)

SPECIFY SEAL COLOR	
Black (J1D011)	
Beige (J1D012)	
Gray (J1D013)	
Off White (J1D014)	
Bright White (J1D015)	

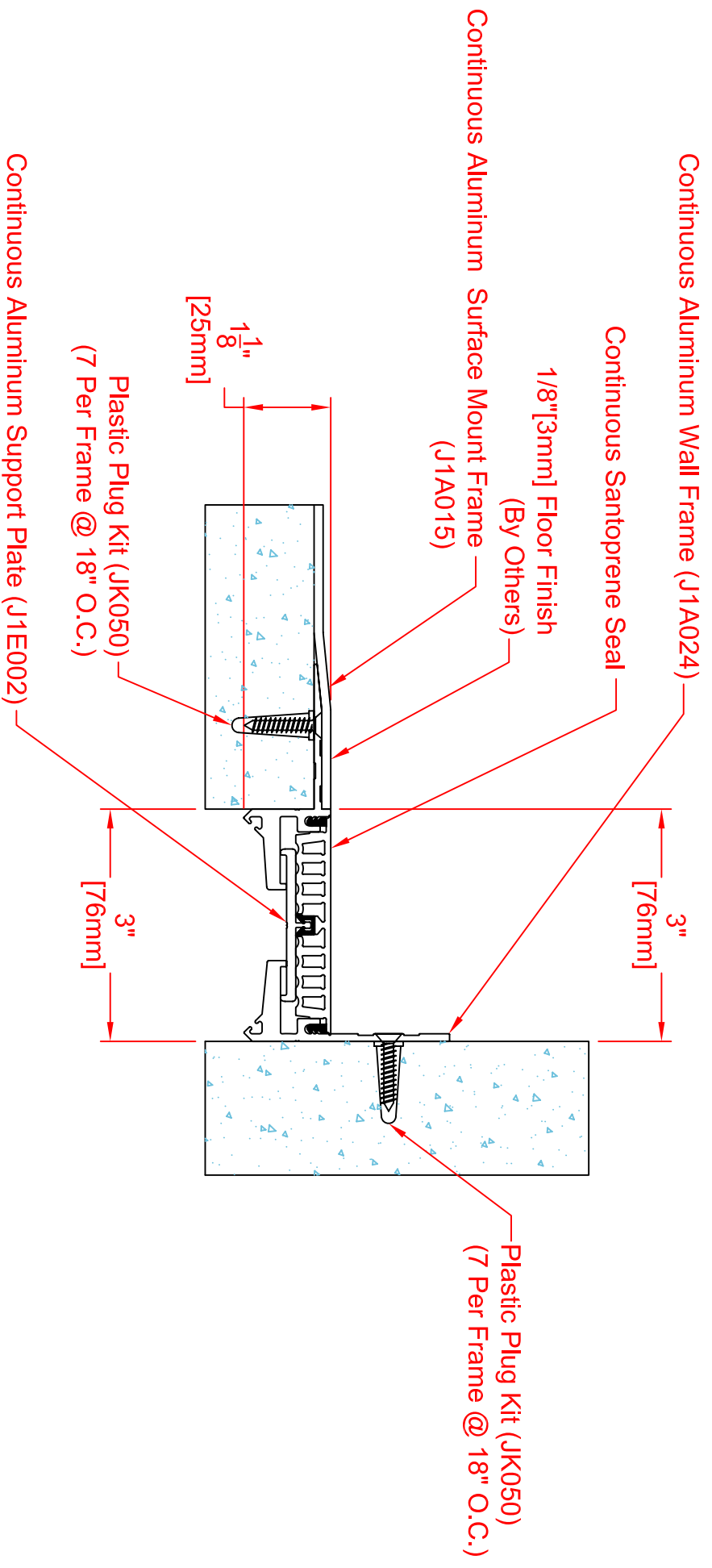
Aluminum Finish-Will

105-A02-050 SYSTEM

Joint Width	Movement ±		Load
	Horizontal	Vertical	
US mm	US mm	US mm	US Ton
2"	1/2"	1/2"	1.7
51	13	13	15

APPLICATION-

SURFACE MOUNT FLOOR/WALL CONDITION
FOR 1/8" SHEET VINYL FLOORING



SPECIFY SEAL COLOR	
Black (J1D021)	
Beige (J1D022)	
Gray (J1D023)	
Off White (J1D024)	
Bright White (J1D025)	

Aluminum Finish-Mill

Joint Width	Movement ±		Load		
	Horizontal	Vertical	US Ton	KN	
US 3"	mm 76	US 3/4"	mm 19	US Ton 1.7	KN 15

105-A02-075 SYSTEM