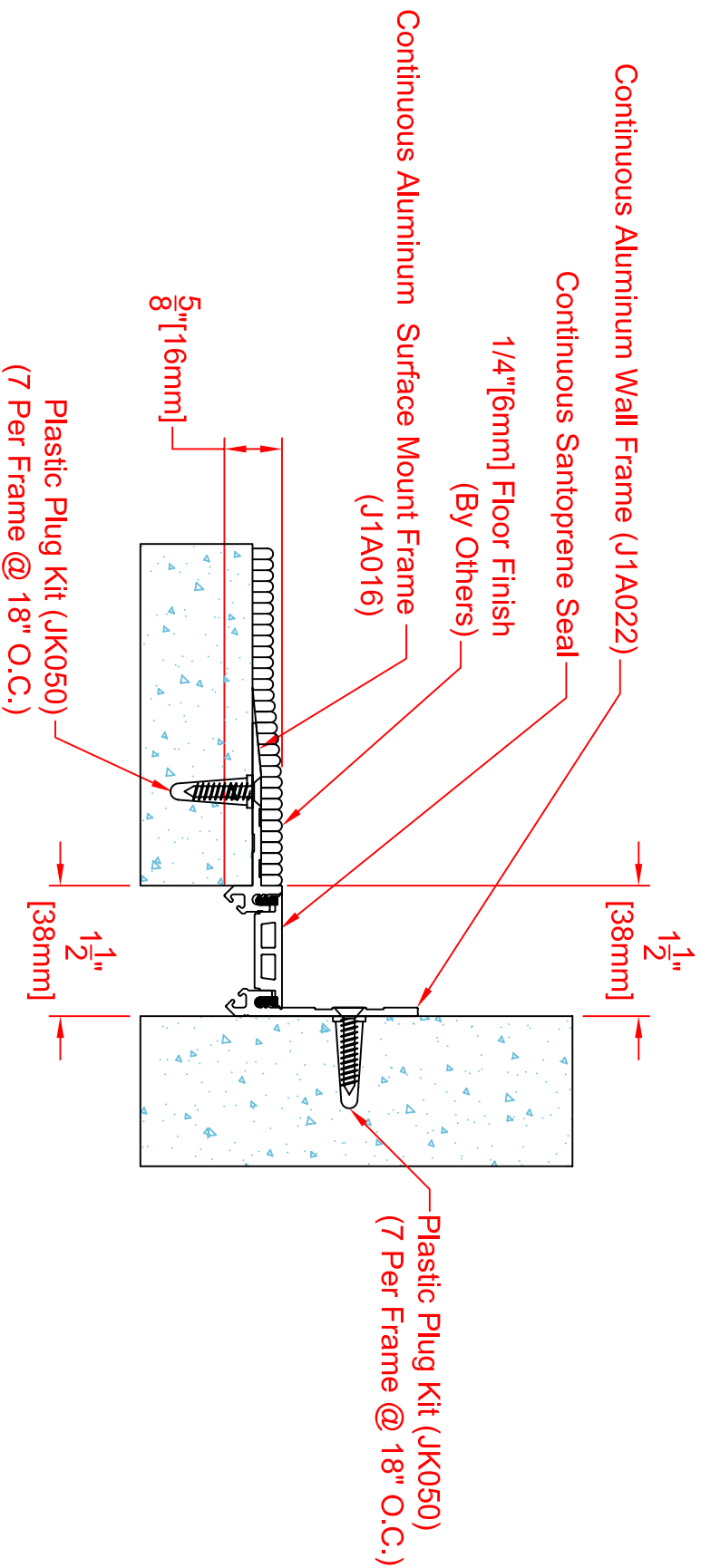


SPECIFY SEAL COLOR	
Black (J1D001)	
Beige (J1D002)	
Gray (J1D003)	
Off White (J1D004)	
Bright White (J1D005)	

Aluminum Finish-Mill

Joint Width	Movement ±		Load		
	Horizontal	Vertical	US Ton	KN	
US 1"	mm 25	US 1/4"	mm 6	US 2.8	KN 25

106-A02-025 SYSTEM



SPECIFY SEAL COLOR	
Black (J1D006)	
Beige (J1D007)	
Gray (J1D008)	
Off White (J1D009)	
Bright White (J1D010)	

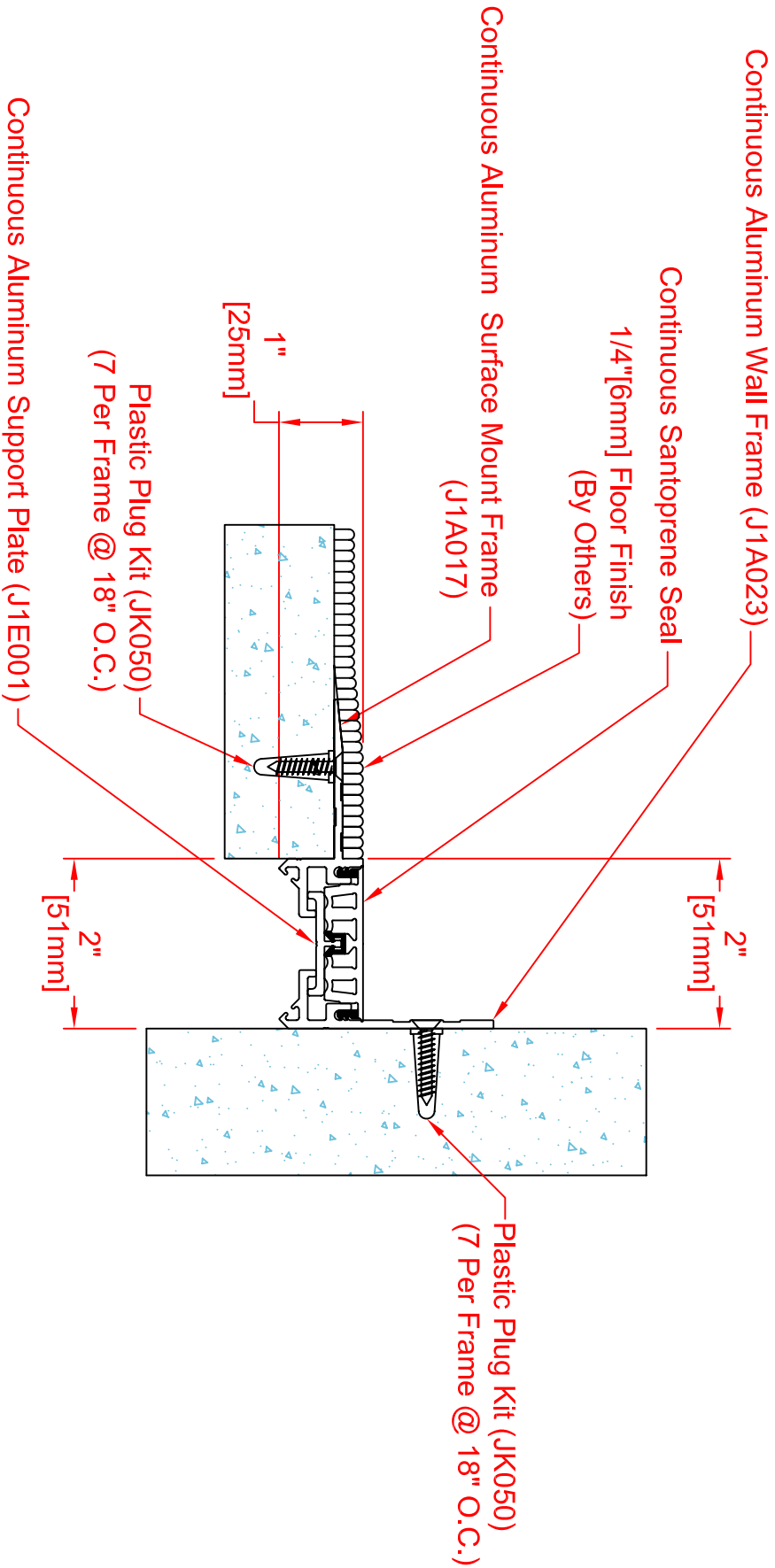
Aluminum Finish-Mill

Joint Width		Movement ±		Load			
US	mm	US	mm	US Ton	KN		
1-1/2"	38	3/8"	10	3/8"	10	2.7	24

106-A02-038 SYSTEM

APPLICATION-

**SURFACE MOUNT FLOOR/WALL CONDITION
FOR 1/4" CARPET FLOORING**

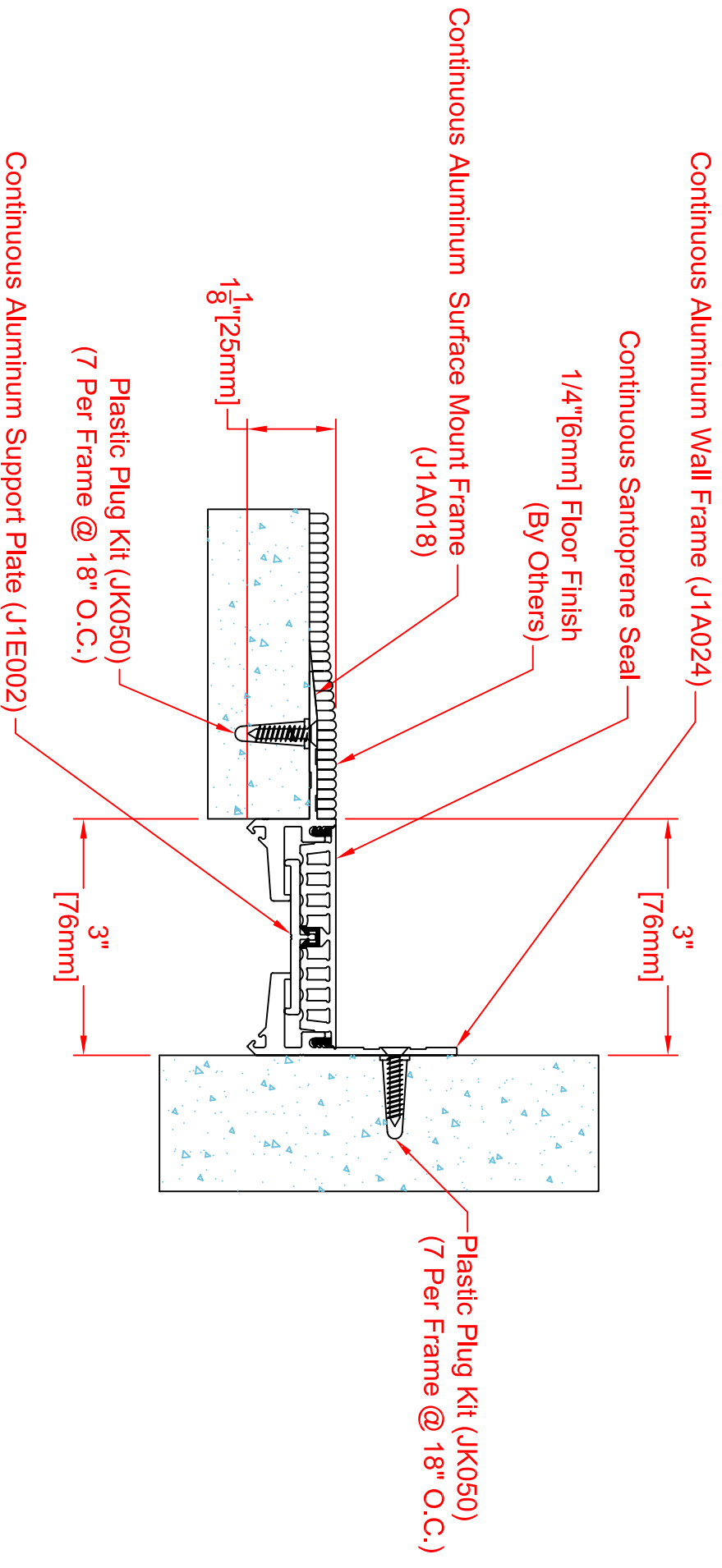


SPECIFY SEAL COLOR	
Black (J1D011)	
Beige (J1D012)	
Gray (J1D013)	
Off White (J1D014)	
Bright White (J1D015)	

Aluminum Finish-Mill

Joint Width	Movement ±		Load
	Horizontal	Vertical	
US mm	US mm	US mm	US Ton
2" 51	1/2" 13	1/2" 13	1.7 15

106-A02-050 SYSTEM



SPECIFY SEAL COLOR	
Black	(J1D021)
Beige	(J1D022)
Gray	(J1D023)
Off White	(J1D024)
Bright White	(J1D025)

Aluminum Finish-Mill

Joint Width	Movement ±		Load
	Horizontal	Vertical	
US 3"	US 76	US 19	US Ton 1.7
mm 76	mm 3/4"	mm 3/4"	kN 15

106-A02-075 SYSTEM