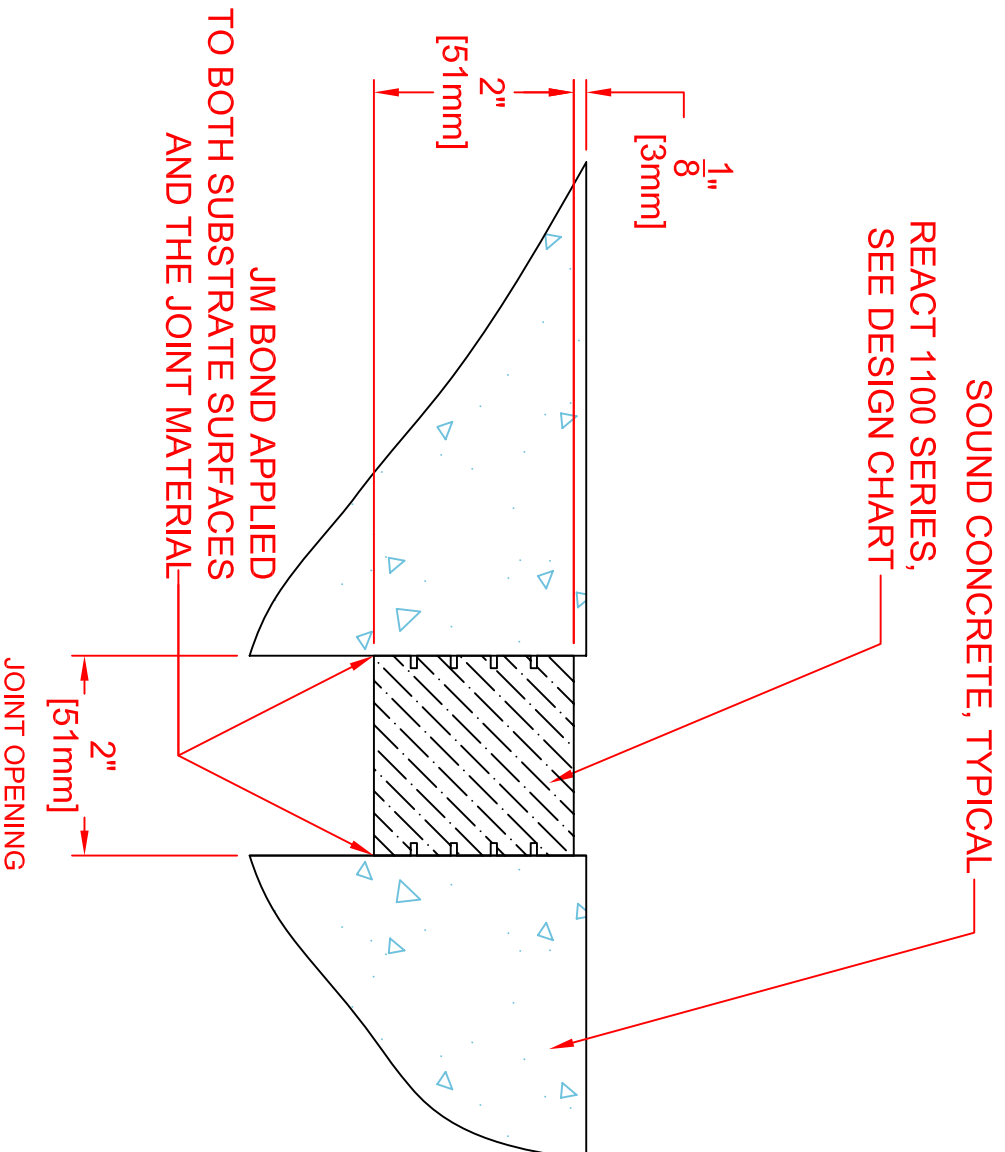


DESIGN CHART

MODEL	JOINT @ 60° F (INCHES)	OPENING @16°C (MM)	RECOMMENDED MATERIAL SIZE (WIDTH X DEPTH)		JOINT MOVEMENT RANGE	
			(INCHES)	(MM)	(INCHES)	(MM)
100	3/4"	19	1" X 1"	25 X 25	.4-1.3	10-23
125	1"	25	1-1/4" X 2"	32 X 51	.5-1.63	13-41
156	1-1/4"	32	1-9/16" X 2"	40 X 51	.625-2.03	16-51
188	1-1/2"	38	1-7/8" X 2"	48 X 51	.75-2.44	19-61
219	1-3/4"	44	2-3/16" X 2"	56 X 51	.88-2.84	22-72
250	2"	51	2-1/2" X 2"	64 X 51	1-3.25	25-82
281	2-1/4"	57	2-13/16" X 2"	71 X 51	1.12-3.65	28-92
313	2-1/2"	64	3-1/8" X 2.5"	80 X 64	1.25-4.06	32-103
344	2-3/4"	70	3-7/16" X 2.5"	87 X 64	1.38-4.47	35-113
375	3"	76	3-3/4" X 3"	95 X 76	1.5-4.88	38-123
406	3-1/4"	83	4-1/16" X 3"	103 X 76	1.62-5.28	41-134
438	3-1/2"	89	4-3/8" X 3-1/2"	111 X 89	1.75-5.69	44-144
463	3-3/4"	95	4-5/8" X 3-1/2"	117 X 89	1.88-6.09	47-154
500	4"	100	5" X 3-1/2"	127 X 89	2-6.5	51-165

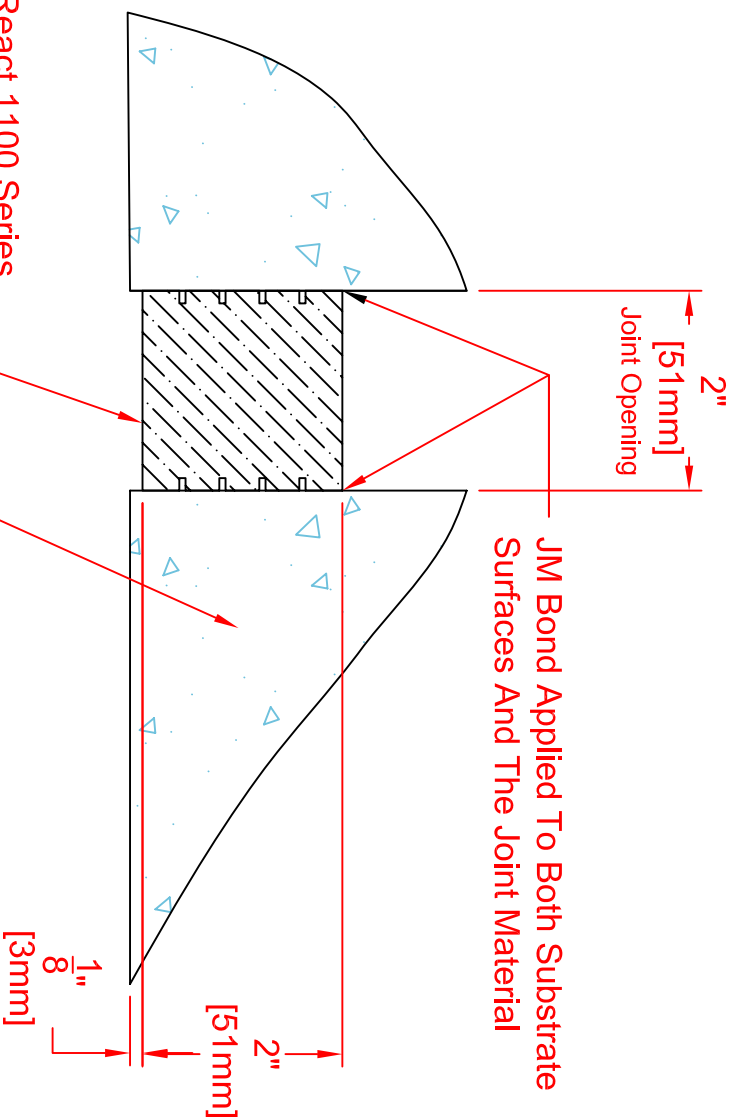


FEATURES

- * HIGHER HEAT & UV RESISTANCE
- * NO MECHANICAL ANCHORS
- * MONOLITHIC DIRECTIONAL CHANGES
- * HANDLES 100% SHEAR MOVEMENT
- * MULTI-DIRECTIONAL MOVEMENT
- * CAN BE CUSTOM FABRICATED
- * HIGH CHEMICAL RESISTANCE
- * CAN BE INSTALLED ON A RADIUS

DESIGN CHART

MODEL	JOINT @ 60° F (INCHES)	OPENING @16°C (MM)	RECOMMENDED MATERIAL SIZE (WIDTH X DEPTH)		JOINT MOVEMENT RANGE	
			(INCHES)	(MM)	(INCHES)	(MM)
100	3/4"	19	1" x 1"	25 x 25	.4-1.3	10-23
125	1"	25	1-1/4" x 2"	32 x 51	.5-1.63	13-41
156	1-1/4"	32	1-9/16" x 2"	40 x 51	.625-2.03	16-51
188	1-1/2"	38	1-7/8" x 2"	48 x 51	.75-2.44	19-61
219	1-3/4"	44	2-3/16" x 2"	56 x 51	.88-2.84	22-72
250	2"	51	2-1/2" x 2"	64 x 51	1-3.25	25-82
281	2-1/4"	57	2-13/16" x 2"	71 x 51	1.12-3.65	28-92
313	2-1/2"	64	3-1/8" x 2.5"	80 x 64	1.25-4.06	32-103
344	2-3/4"	70	3-7/16" x 2.5"	87 x 64	1.38-4.47	35-113
375	3"	76	3-3/4" x 3"	95 x 76	1.5-4.88	38-123
406	3-1/4"	83	4-1/16" x 3"	103 x 76	1.62-5.28	41-134
438	3-1/2"	89	4-3/8" x 3-1/2"	111 x 89	1.75-5.69	44-144
463	3-3/4"	95	4-5/8" x 3-1/2"	117 x 89	1.88-6.09	47-154
500	4"	100	5" x 3-1/2"	127 x 89	2-6.5	51-165



React 1100 Series,
See Design Chart
Sound Concrete, Typical

FEATURES

- * HIGHER HEAT & UV RESISTANCE
- * NO MECHANICAL ANCHORS
- * MONOLITHIC DIRECTIONAL CHANGES
- * HANDLES 100% SHEAR MOVEMENT
- * MULTI-DIRECTIONAL MOVEMENT
- * CAN BE CUSTOM FABRICATED
- * HIGH CHEMICAL RESISTANCE
- * CAN BE INSTALLED ON A RADIUS