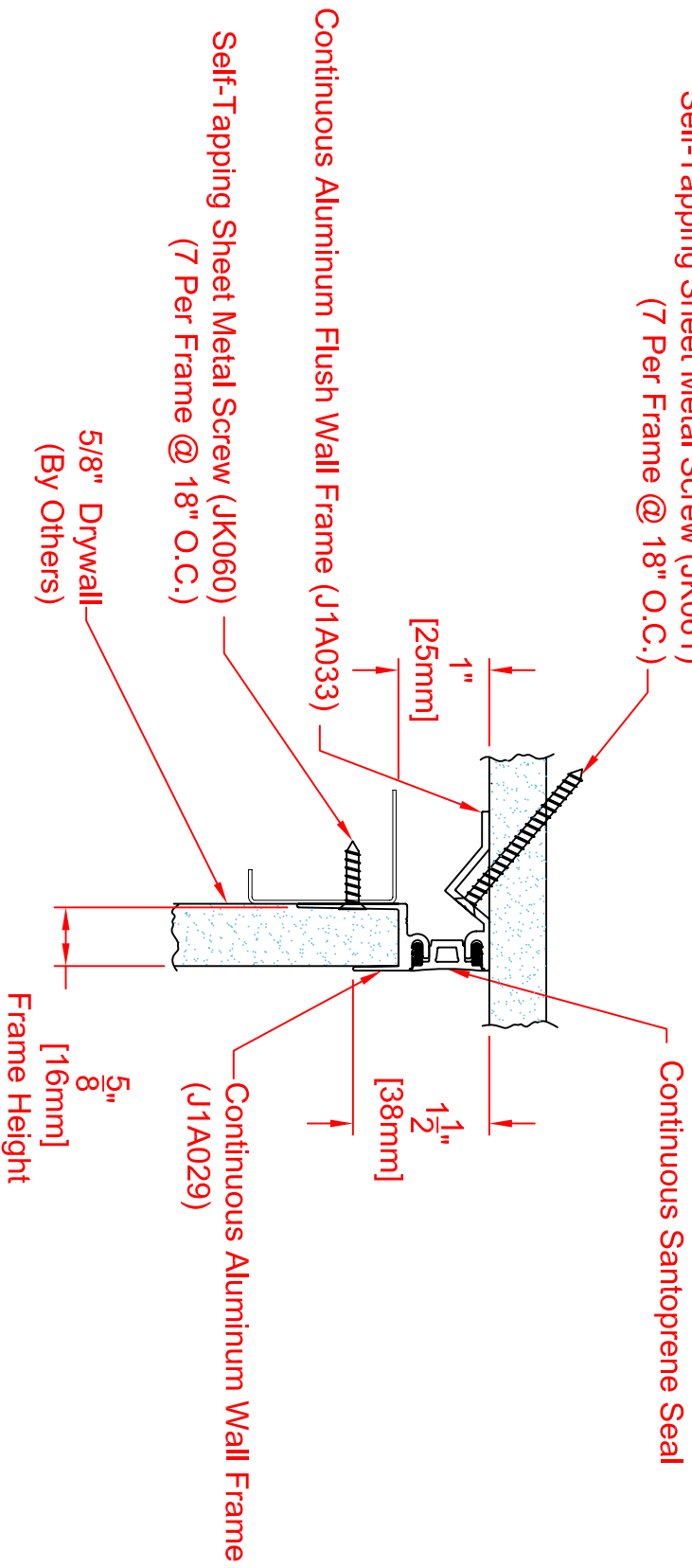


Self-Tapping Sheet Metal Screw (JK061)  
(7 Per Frame @ 18" O.C.)



Continuous Aluminum Flush Wall Frame (J11A033)  
Self-Tapping Sheet Metal Screw (JK061)  
(7 Per Frame @ 18" O.C.)

Continuous Aluminum Wall Frame  
(J1A029)

5/8" Drywall  
(By Others)

1/2" [38mm]

5/8" [16mm]  
Frame Height

SPECIFY SEAL COLOR	
Black (J1D001)	
Beige (J1D002)	
Gray (J1D003)	
Off White (J1D004)	
Bright White (J1D005)	

Aluminum Finish-204-R1 Clear Anodized

## 112-A09-025 SYSTEM

Joint Width	Horizontal Movement	Vertical Movement ±
US mm	US mm	US mm
1" 25	1/4" 6	1/4" 6

APPLICATION-

FLUSH MOUNT WALL/CORNER-WALL/CEILING CONDITION  
FOR 5/8" DRYWALL

**INPro**  
**JOINTMASTER**  
ARCHITECTURAL JOINT SYSTEMS

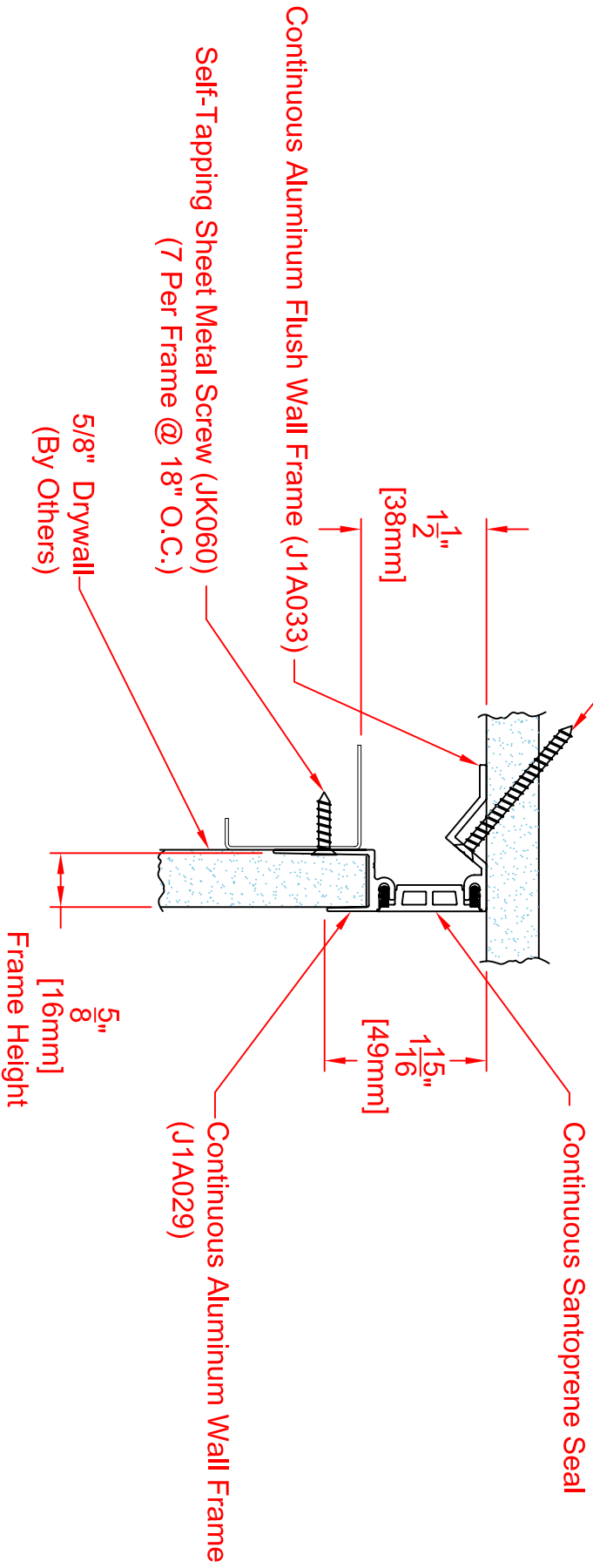
DATE: Jan., 2002

SCALE: 1/2

REV: (C) 6/28/04

**INPro CORPORATION**  
Interior and Exterior Architectural Products  
S80 W18766 Apollo Drive  
Muskego, WI 53150 USA

Self-Tapping Sheet Metal Screw (JK061)  
(7 Per Frame @ 18" O.C.)



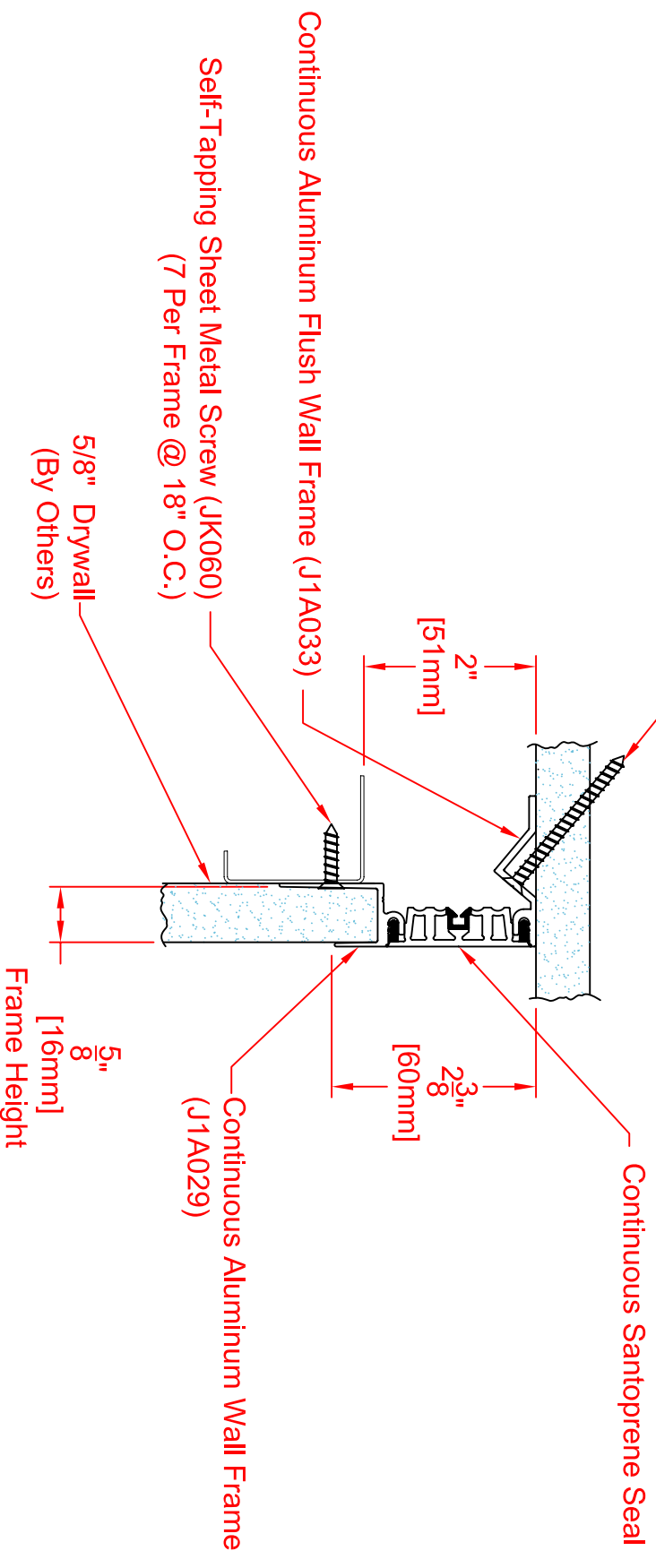
SPECIFY SEAL COLOR	
Black (J1D006)	
Beige (J1D007)	
Gray (J1D008)	
Off White (J1D009)	
Bright White (J1D010)	

Aluminum Finish-204-R1 Clear Anodized

## 112-A09-038 SYSTEM

Joint Width	Movement ±	
	Horizontal	Vertical
US mm	38	3/8"
1-1/2"	10	3/8"
	10	10

Self-Tapping Sheet Metal Screw (JK061)  
(7 Per Frame @ 18" O.C.)



SPECIFY SEAL COLOR	
Black (J1D011)	
Beige (J1D012)	
Gray (J1D013)	
Off White (J1D014)	
Bright White (J1D015)	

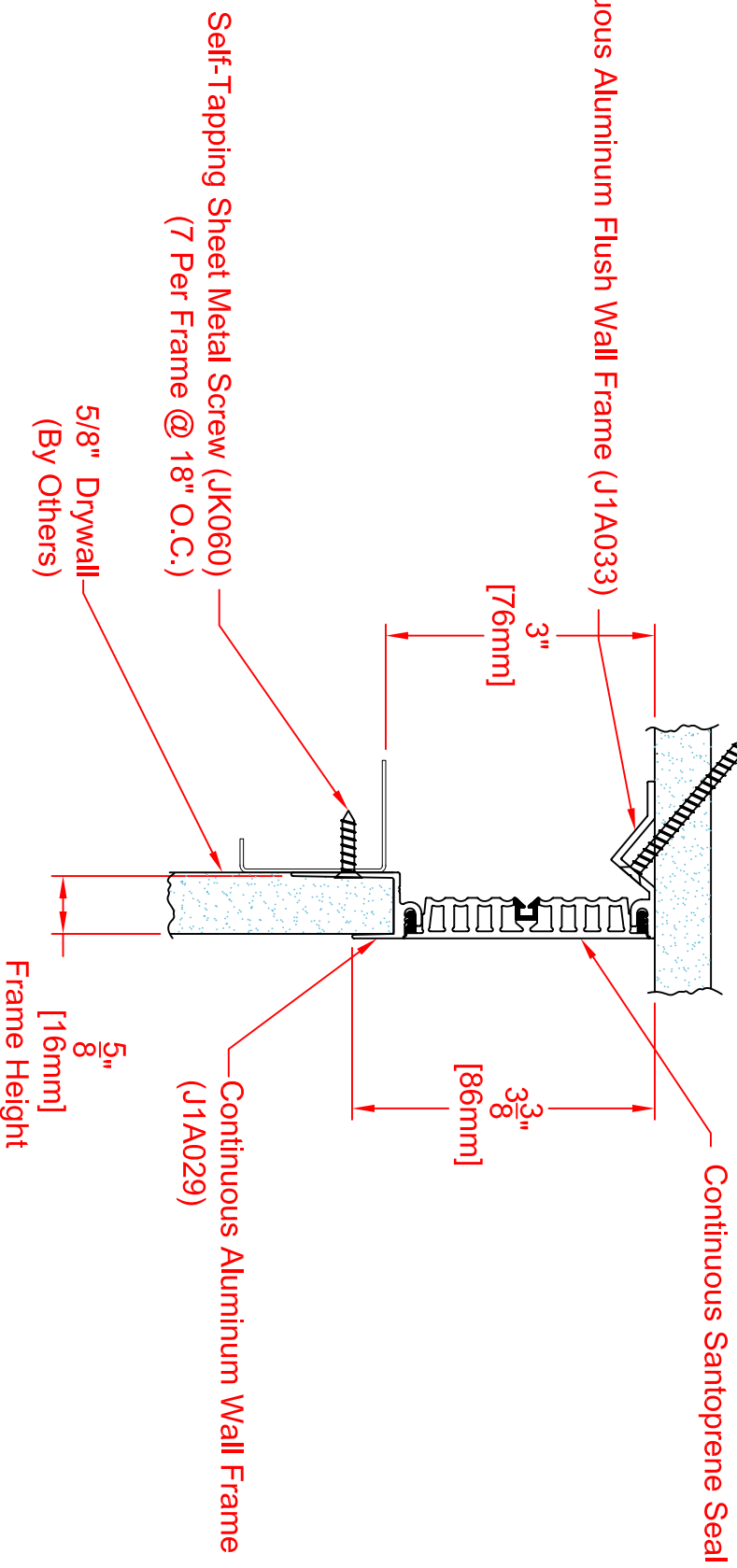
Aluminum Finish-204-R1 Clear Anodized

## 112-A09-050 SYSTEM

Joint Width	Movement ±	
	Horizontal	Vertical
US mm	US mm	US mm
2"	51	1/2"
	13	1/2"
		13

Self-Tapping Sheet Metal Screw (JK061)  
(7 Per Frame @ 18" O.C.)

Continuous Aluminum Flush Wall Frame (J1A033)



SPECIFY SEAL COLOR	
Black (J1D001)	
Beige (J1D002)	
Gray (J1D003)	
Off White (J1D004)	
Bright White (J1D005)	

Aluminum Finish-204-R1 Clear Anodized

## 112-A09-075 SYSTEM

Joint Width	Movement ±	
	Horizontal	Vertical
US 3"	US 3/4"	US 3/4"
mm 76	mm 19	mm 19

APPLICATION-

FLUSH MOUNT WALL/CORNER-WALL/CEILING CONDITION  
FOR 5/8" DRYWALL