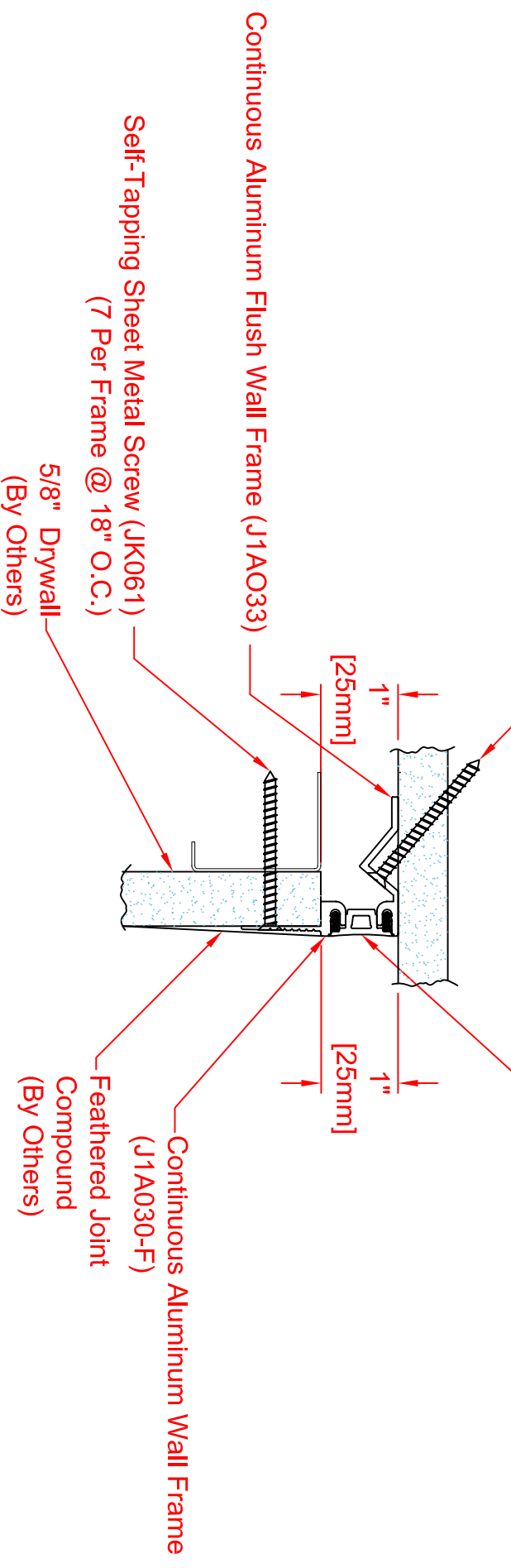


Self Tapping Sheet Metal Screw (JK061)
(7 Per Frame @ 18" O.C.)

Continuous Santoprene Seal



SPECIFY SEAL COLOR	
Black (J1D001)	
Beige (J1D002)	
Gray (J1D003)	
Off White (J1D004)	
Bright White (J1D005)	

Aluminum Finish-Mill

113-A09-025 SYSTEM

Joint Width	Movement ±	
	Horizontal	Vertical
US mm	US mm	US mm
1" 25	1/4" 6	1/4" 6

APPLICATION-

SURFACE MOUNT WALL/CORNER-WALL/CEILING CONDITION
FOR DRYWALL

INPro
JOINTMASTER
ARCHITECTURAL JOINT SYSTEMS

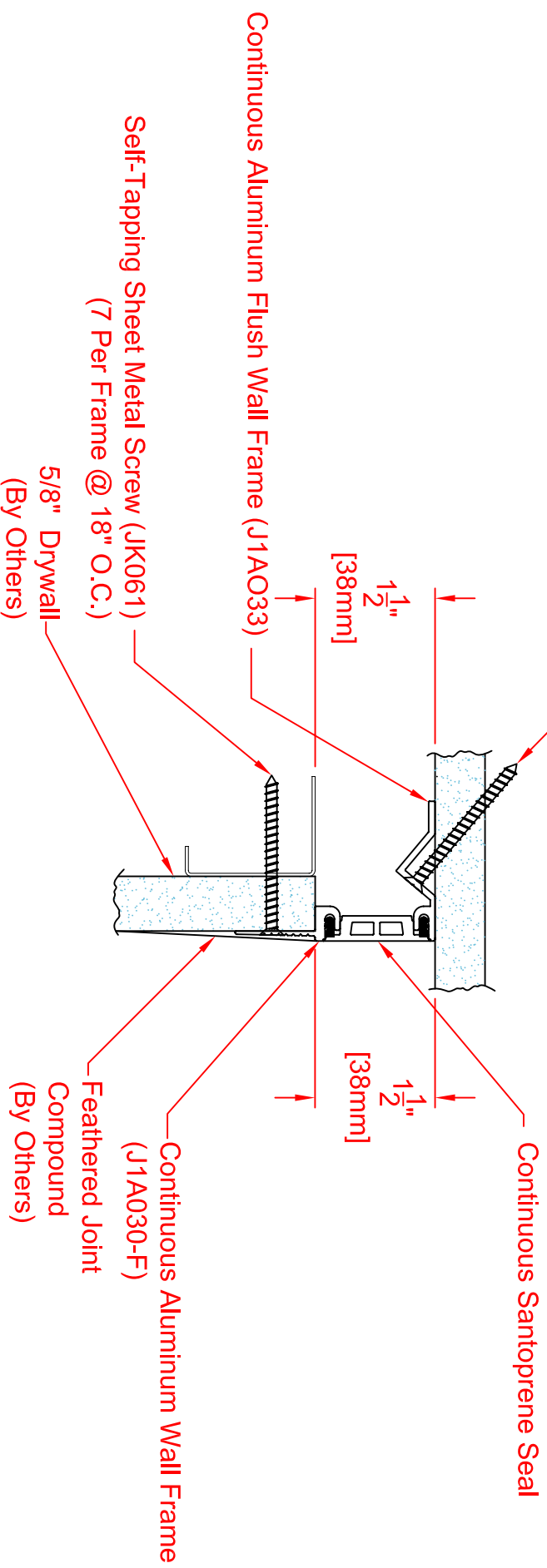
DATE: Jan., 2002

SCALE: 1/2

REV: (C) 6/28/04

INPro CORPORATION
Interior and Exterior Architectural Products
S80 W18766 Apollo Drive
Muskego, WI 53150 USA

Self Tapping Sheet Metal Screw (JK061)
(7 Per Frame @ 18" O.C.)



SPECIFY SEAL COLOR	
Black (J1D006)	
Beige (J1D007)	
Gray (J1D008)	
Off White (J1D009)	
Bright White (J1D010)	

Aluminum Finish-Mill

Joint Width		Horizontal Movement ±		Vertical Movement ±	
US	mm	US	mm	US	mm
1-1/2"	38	3/8"	10	3/8"	10

113-A09-038 SYSTEM

DATE: May 2005

SCALE: 1/2

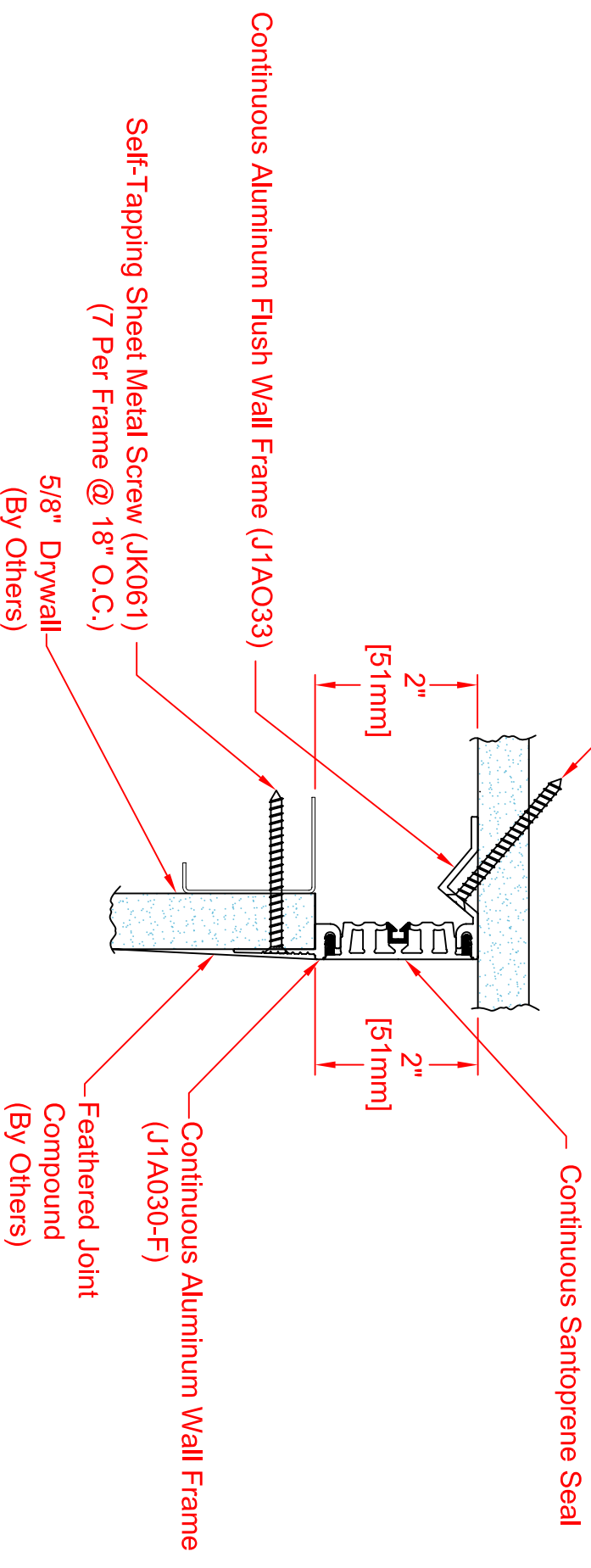
REV:

APPLICATION-
SURFACE MOUNT WALL/CORNER-WALL/CEILING CONDITION
FOR DRYWALL

INPro
JOINTMASTER
ARCHITECTURAL JOINT SYSTEMS

INPro CORPORATION
Interior and Exterior Architectural Products
S80 W18766 Apollo Drive
Muskego, WI 53150 USA

Self Tapping Sheet Metal Screw (JK061)
(7 Per Frame @ 18" O.C.)



SPECIFY SEAL COLOR	
Black (J1D011)	
Beige (J1D012)	
Gray (J1D013)	
Off White (J1D014)	
Bright White (J1D015)	

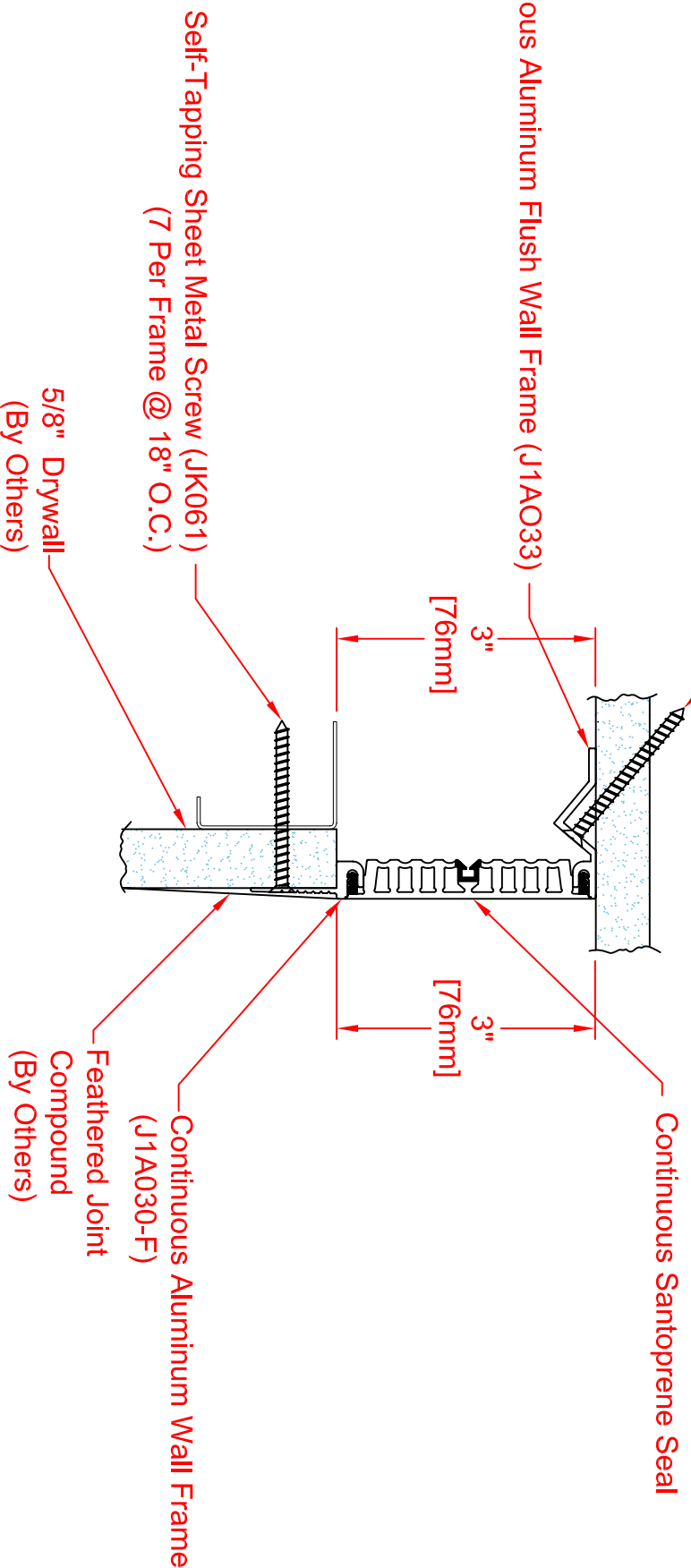
Aluminum Finish-Mill

113-A09-050 SYSTEM

Joint Width	Movement ±	
	Horizontal	Vertical
US mm	US mm	US mm
2"	51	1/2"
	13	1/2"
		13

Self Tapping Sheet Metal Screw (JK061)
(7 Per Frame @ 18" O.C.)

Continuous Aluminum Flush Wall Frame (J1A033)



Self-Tapping Sheet Metal Screw (JK061)
(7 Per Frame @ 18" O.C.)

5/8" Drywall
(By Others)

Continuous Santoprene Seal

Continuous Aluminum Wall Frame
(J1A030-F)

Feathered Joint
Compound
(By Others)

SPECIFY SEAL COLOR	
Black	(J1D021)
Beige	(J1D022)
Gray	(J1D023)
Off White	(J1D024)
Bright White	(J1D025)

Aluminum Finish-Mill

113-A09-075 SYSTEM

Joint Width	Movement ±	
	Horizontal	Vertical
US 3"	US 3/4"	US 19
mm 76	mm 19	mm 3/4"

APPLICATION-

SURFACE MOUNT WALL/CORNER-WALL/CEILING CONDITION
FOR DRYWALL