

| SPECIFY SEAL COLOR | |
|--------------------|----------|
| Black | (J1D001) |
| Beige | (J1D002) |
| Gray | (J1D003) |
| Off White | (J1D004) |
| Bright White | (J1D005) |

Aluminum Finish-Mill

113-A07-025 SYSTEM

| Joint Width | Movement ± | |
|-------------|------------|----------|
| | Horizontal | Vertical |
| US mm | US mm | US mm |
| 1" | 1/4" | 1/4" |
| 25 | 6 | 6 |

INPro
JOINTMASTER
ARCHITECTURAL JOINT SYSTEMS

DATE: Jan., 2002

SCALE: 1/2

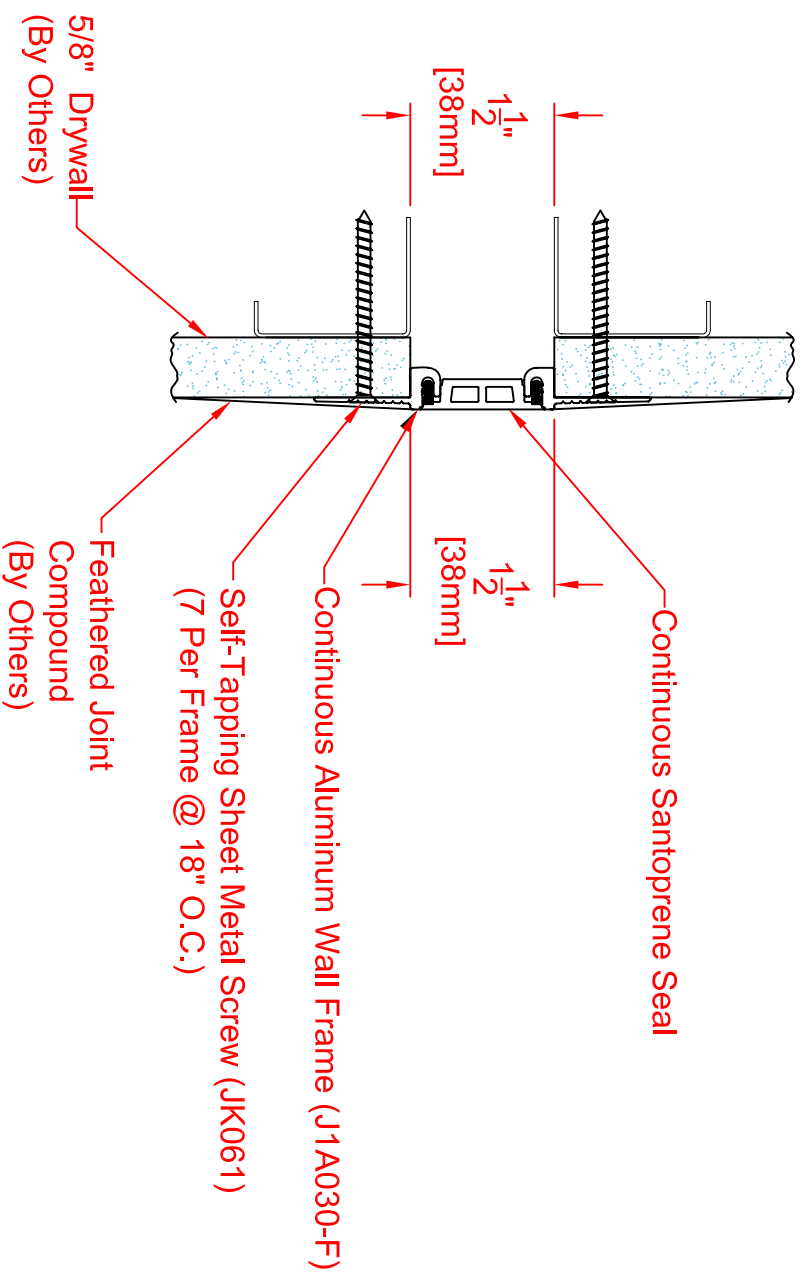
REV: (B) 6/28/04

APPLICATION-
SURFACE MOUNT WALL/WALL-CEILING /CEILING CONDITION
FOR DRYWALL

INPro CORPORATION
Interior and Exterior Architectural Products
S80 W18766 Apollo Drive
Muskego, WI 53150 USA

| SPECIFY SEAL COLOR | |
|--------------------|----------|
| Black | (J1D006) |
| Beige | (J1D007) |
| Gray | (J1D008) |
| Off White | (J1D009) |
| Bright White | (J1D010) |

Aluminum Finish-Mill



113-A07-038 SYSTEM

| Joint Width | Movement ± | | |
|-------------|------------|----------|----|
| | Horizontal | Vertical | |
| US | mm | US | mm |
| 1-1/2" | 38 | 3/8" | 10 |
| | | 3/8" | 10 |

INPro
JOINTMASTER
ARCHITECTURAL JOINT SYSTEMS

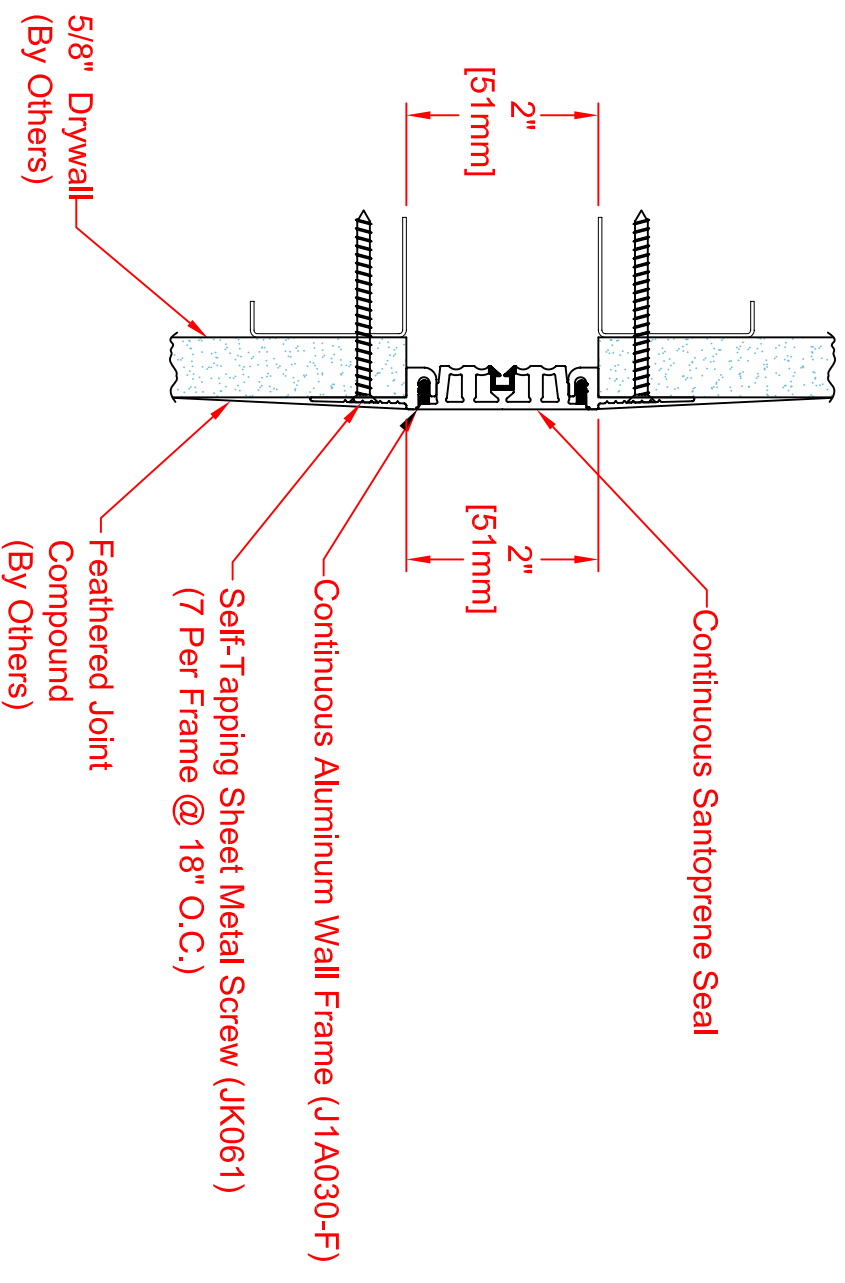
DATE: May 2005

SCALE: 1/2

REV:

APPLICATION-
SURFACE MOUNT WALL/WALL-CEILING /CEILING CONDITION
FOR DRYWALL

INPro CORPORATION
Interior and Exterior Architectural Products
S80 W18766 Apollo Drive
Muskego, WI 53150 USA



| SPECIFY SEAL COLOR | |
|-----------------------|--|
| Black (J1D011) | |
| Beige (J1D012) | |
| Gray (J1D013) | |
| Off White (J1D014) | |
| Bright White (J1D015) | |

Aluminum Finish-Mill

113-A07-050 SYSTEM

| Joint Width | Movement ± | |
|-------------|------------|----------|
| | Horizontal | Vertical |
| US mm | US mm | US mm |
| 2" 51 | 1/2" 13 | 1/2" 13 |

INPro
JOINTMASTER
ARCHITECTURAL JOINT SYSTEMS

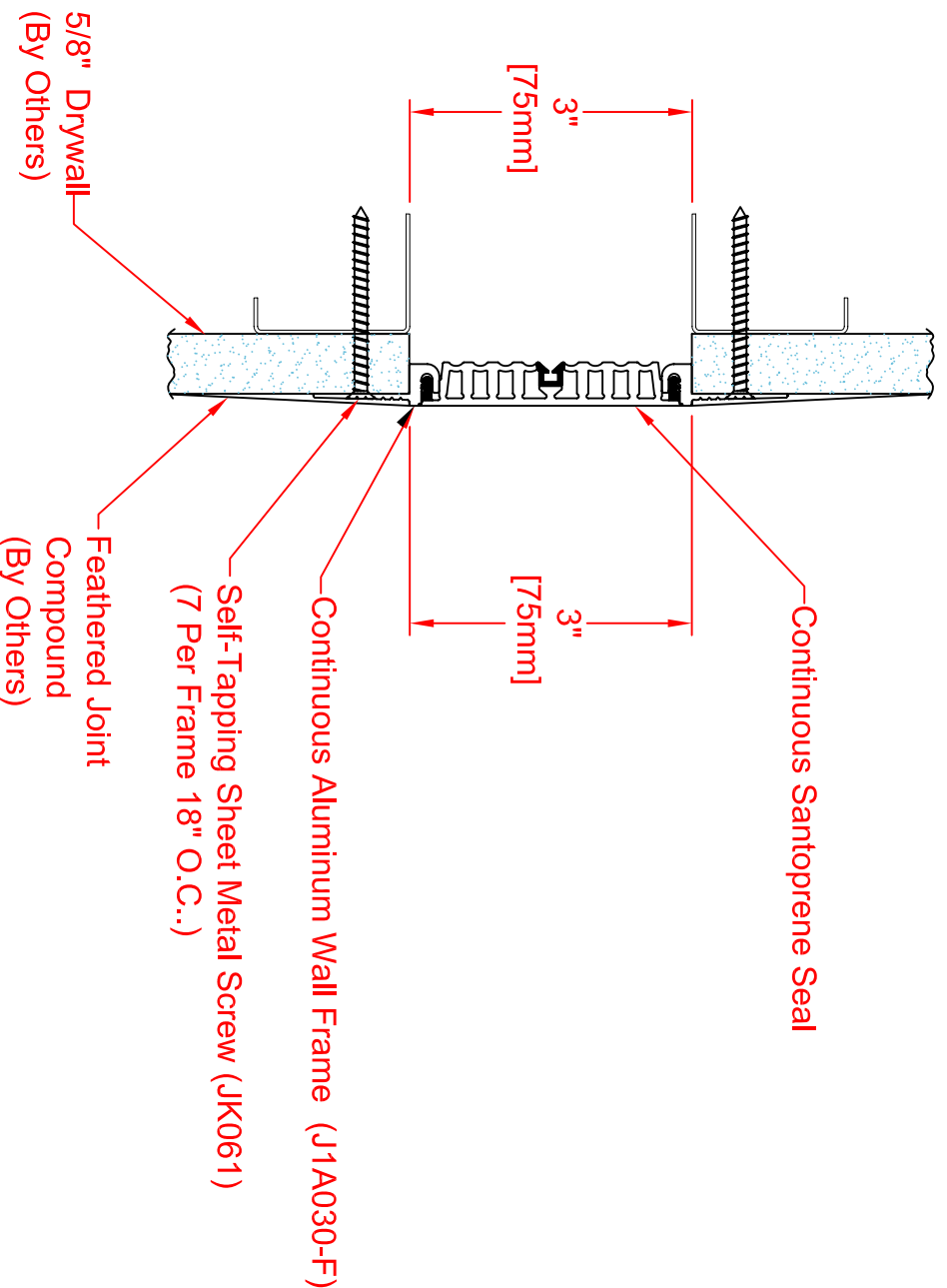
DATE: Jan., 2002

SCALE: 1/2

REV: (B) 6/28/04

APPLICATION-
SURFACE MOUNT WALL/WALL-CEILING /CEILING CONDITION
FOR DRYWALL

INPro CORPORATION
Interior and Exterior Architectural Products
S80 W18766 Apollo Drive
Muskego, WI 53150 USA



| SPECIFY SEAL COLOR | |
|-----------------------|--|
| Black (J1D021) | |
| Beige (J1D022) | |
| Gray (J1D023) | |
| Off White (J1D024) | |
| Bright White (J1D025) | |

Aluminum Finish-Mill

113-A07-075 SYSTEM

| Joint Width | Movement ± | |
|-------------|------------|----------|
| | Horizontal | Vertical |
| US 3" | US 3/4" | US 19 |
| mm 76 | mm 19 | mm 19 |