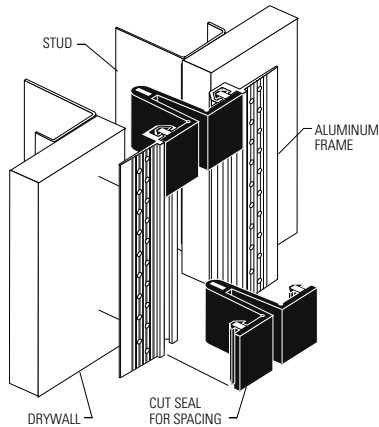


# Installation Instructions

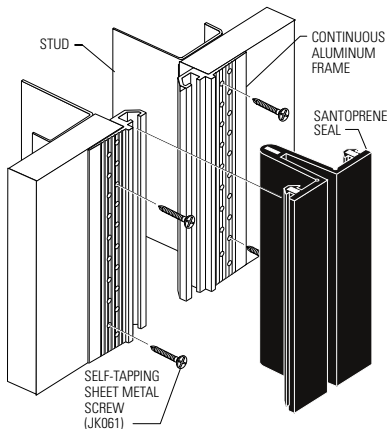
## Joint System: 114-A07/A09

**Note:** Verify that the structural gap is in conformance with submittal data before beginning installation. If this is a Fire Rated Assembly, the fire barrier must be installed before the Architectural Joint System. Refer to the fire barrier instructions for specific system installation.

**Fig. 1** (114-A07 Wall to Wall shown)

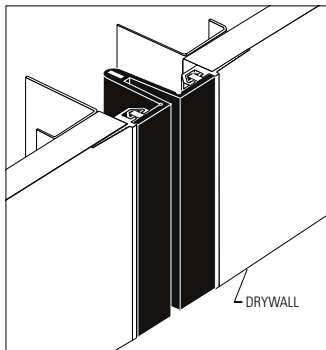


**Fig. 2**

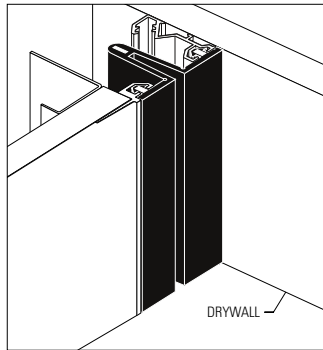


**Fig. 3**

(114-A07 Wall to Wall completed installation)



(114-A09 Wall to Corner completed installation)



1. Install the architectural joint system on a level wall surface. This may require adding leveling compound to raise the tops of the frames.

**Figure 1**

2. Cut the aluminum frames to the desired length.
3. To properly space frames, cut three small 2" sections of seal. Insert one at each end and one in the center of each set of frames.
4. Center the frame assembly over the structural gap. Align plumb.
  - 4a. For wall to corner systems, place the assembly into the structural gap so the recessed frame is firmly against the corner wall. Align plumb, making sure the top of the pre-cut spacer is level. Transfer the location of the top edge of the recessed frame to the wall using a marker. For proper spacing, several mounting holes on the wall frame should also be marked.

**Figure 2**

5. Drill holes through the frame into substrate approximately 18" on center starting 6" from each end. Secure using JK061 self tapping sheet metal screws.
6. Remove the temporary spacers.
7. Press the Santoprene seal into the recessed slots of the frames until the seal is flush with the tops of the frames. **NOTE:** To assist in installing the seal, apply a mist of soapy water solution to the back of the seal. A 1" wide seam roller may be used to fully engage the seal ears into the frame slots.

**Figure 3**

8. Feather joint compound away from frame edges to smooth adjacent finishes. Clean the exposed surfaces with a non-solvent cleaner, such as 409, as required.