

Installation Instructions

Joint System: 115-A18/A24

Note: Verify that the structural gap is in conformance with submittal data before beginning installation. The suspended ceiling grid must be installed first, leaving a distance between the main tees for the structural gap.

Fig. 1 (115-A24 Ceiling to Ceiling shown)

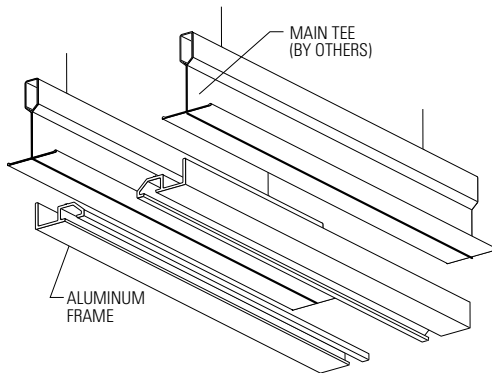


Fig. 1a (115-A18 Ceiling to Wall shown)

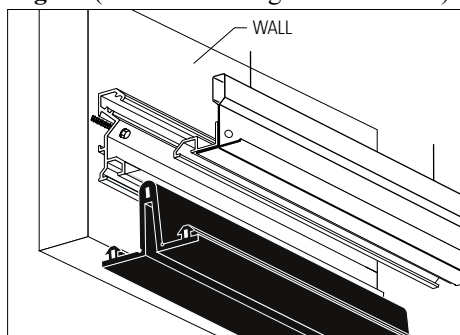


Fig. 2

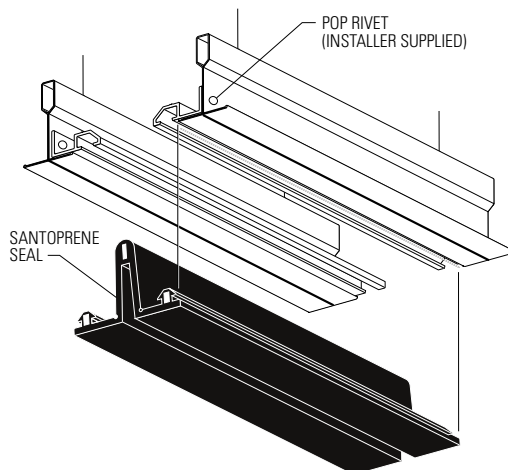


Figure 1

1. Cut the aluminum frames to the desired length.
2. For ceiling to ceiling system, place frames snugly against the inside corner of the main tees with the recessed slots visible.
 - 2a. For ceiling to wall system, place the recessed wall frame against the adjacent wall making sure the bottom of the frame is level with the frame at the tee. Transfer the location of the bottom edge of the recessed frame to the wall using a marker (see Figure 1a).

Figure 2

3. Secure the frames to the tees with pop rivets (installer supplied) approximately 18" on center starting 6" from each end.
 - 3a. For ceiling to wall system, secure the frames with pop rivets / hardware (installer supplied).
4. Press the Santoprene seal into the recessed slots of the frames until the seal is flush with the bottoms of the frames.

NOTE: To assist in installing the seal, apply a mist of soapy water solution to the back of the seal. A 1" wide seam roller may be used to fully engage the seal ears into the frame slots.

Figure 3

5. Install ceiling tiles and clean the exposed surfaces with a non-solvent cleaner, such as 409, as required.

Fig. 3 (115-A24 Ceiling to Ceiling completed installation)

