

SPECIFY SEAL COLOR	
Black	(J1D011)
Beige	(J1D012)
Gray	(J1D013)
Off White	(J1D014)
Bright White	(J1D015)

Aluminum Finish-Mill

118-A09-050 SYSTEM

Joint Width	Movement ±	
	Horizontal	Vertical
US mm	US mm	US mm
2" 51	1/2" 13	1/2" 13

INPro
JOINTMASTER
ARCHITECTURAL JOINT SYSTEMS

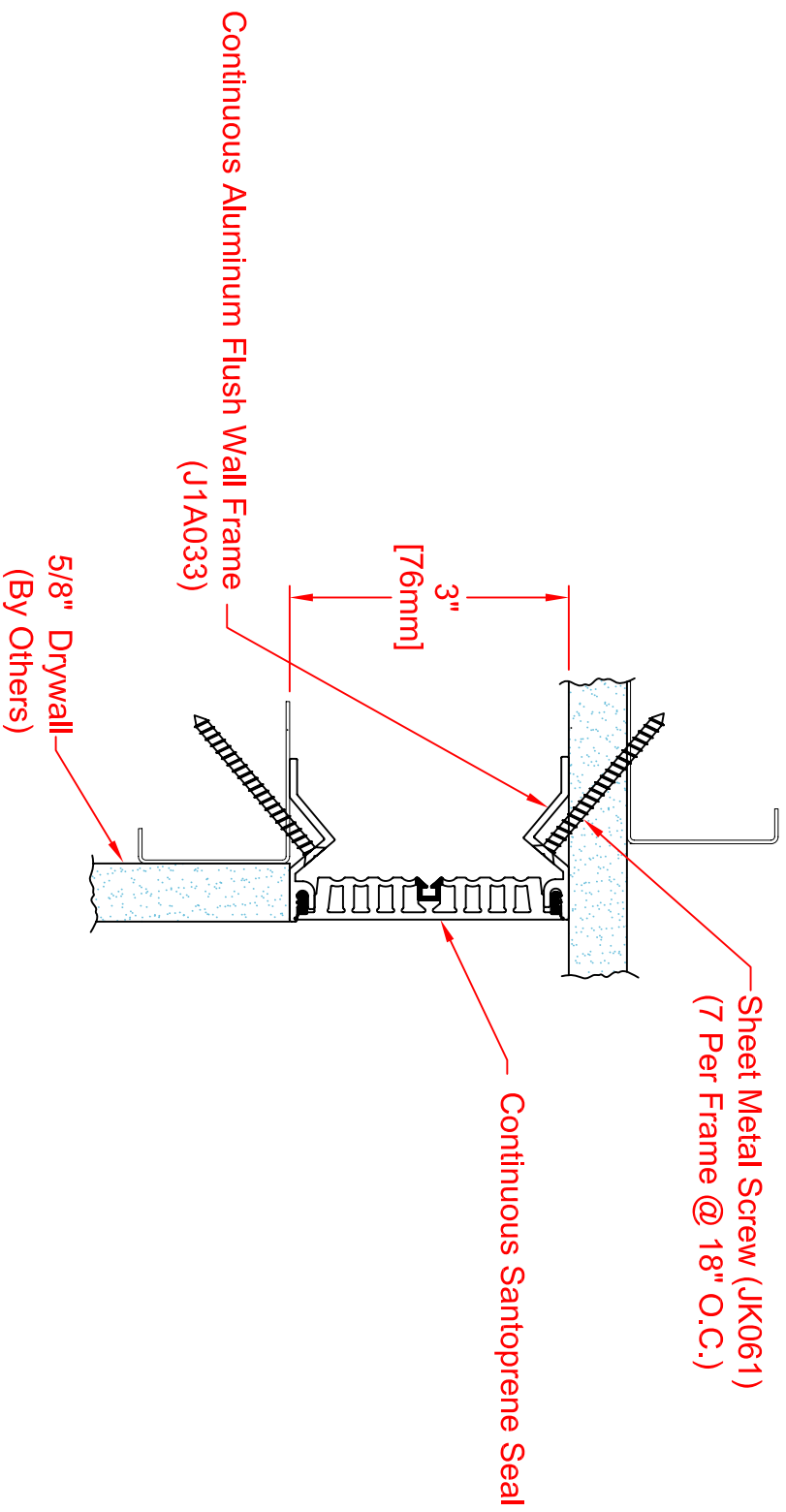
DATE: Sept. 2006

SCALE: 1/2

REV:

APPLICATION-
FLUSH MOUNT WALL/CORNER; WALL/CEILING CONDITION
FOR 5/8" DRYWALL

INPro CORPORATION
Interior and Exterior Architectural Products
S80 W18766 Apollo Drive
Muskego, WI 53150 USA



SPECIFY SEAL COLOR	
Black (J1D021)	
Beige (J1D022)	
Gray (J1D023)	
Off White (J1D024)	
Bright White (J1D025)	

Aluminum Finish-Mill

118-A09-075 SYSTEM

Joint Width	Movement ±	
	Horizontal	Vertical
US	mm	mm
3"	76	3/4"
		19
		3/4"
		19

APPLICATION-

FLUSH MOUNT WALL/CORNER; WALL/CEILING CONDITION
FOR 5/8" DRYWALL

INPro
JOINTMASTER
ARCHITECTURAL JOINT SYSTEMS

DATE: Sept. 2006

SCALE: 1/2

REV:

INPro CORPORATION
Interior and Exterior Architectural Products
S80 W18766 Apollo Drive
Muskego, WI 53150 USA