

Installation Instructions

Joint System: 118 - A07/A09

Note: Verify that the structural gap is in conformance with submittal data before beginning installation. If this is a Fire Rated Assembly, install the fire barrier before the Architectural Joint System. Refer to the fire barrier instructions for specific system installation.

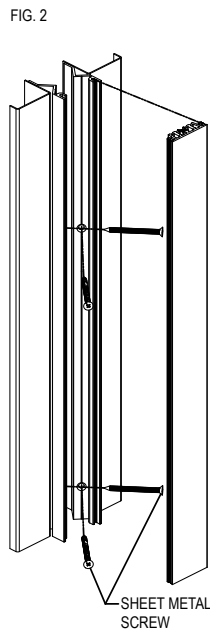
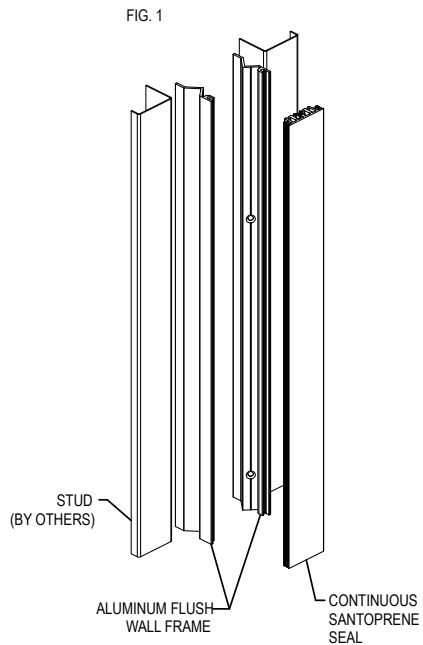


Fig. 1

1. Remove joint components from the packaging taking care not to damage exposed surfaces of the profile materials. The Architectural Joint System supplied should be installed in a smooth and plumb opening.
2. Cut the aluminum components to the desired length.
3. Place the aluminum wall frames against the stud on the inside face of the structural gap so that the outside frame face flush with the finished wall face.
4. The frames have pre-drilled holes for the placement of mounting hardware. Pre-drill the studs in the structural gap at these hole locations.

Fig 2

7. Secure the frames in place with JK061 Sheet Metal Screws.
8. Note, for inside corners or restricted gap access, frames may be secured in place with contractor furnished epoxy adhesive instead of mechanical fasteners.
9. Press the Santoprene seal in to the recessed slots of the frame until the seal is flush with the face of the wall. Fig. 3 & 3a.
11. Clean exposed surfaces with non-solvent cleaner as required.

FIG. 3(118-A07 WALL TO WALL COMPLETE INSTALLATION)

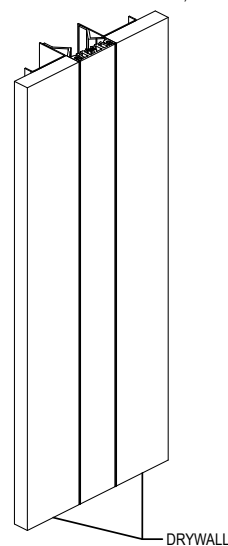
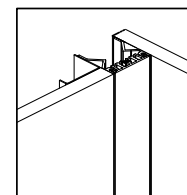


FIG. 3a(118-A09 WALL TO CORNER COMPLETE INSTALLATION)



Installation Questions?

Contact our Installation Hotline 866.EZINPRO
For Sales & Customer Service call 800.222.5556