

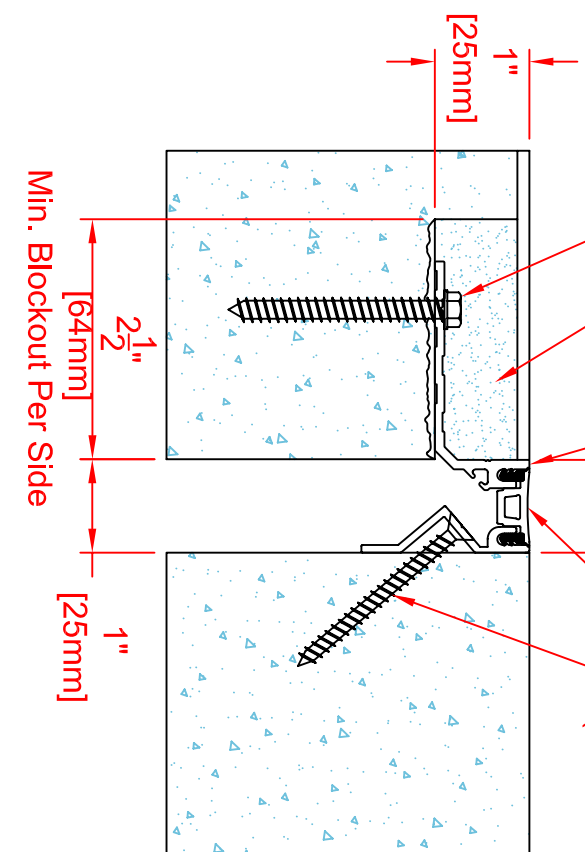
Continuous Aluminum Recessed Frame (J1A001)

Floor Finish & Backfill
(By Others)

Hex Head Concrete Screw (JK001)
(7 Per Frame @ 18" O.C.)

Continuous Santoprene Seal

Flat Head Concrete Screw (JK002)
(7 Per Frame @ 18" O.C.)



Note:
To determine
blockout depth,
deduct thickness
of floor finish
from frame
height.

SPECIFY SEAL COLOR	
Black (J1D001)	
Beige (J1D002)	
Gray (J1D003)	
Off White (J1D004)	
Bright White (J1D005)	

Aluminum Finish-Mill

120-A01-02525 SYSTEM

Joint Width	Movement ±		Load	
	Horizontal	Vertical	US Ton	KN
US mm	US mm	US mm	US Ton	KN
1" 25	1/4" 6	1/4" 6	2.8	25

Continuous Aluminum Recessed Frame (J1A002)

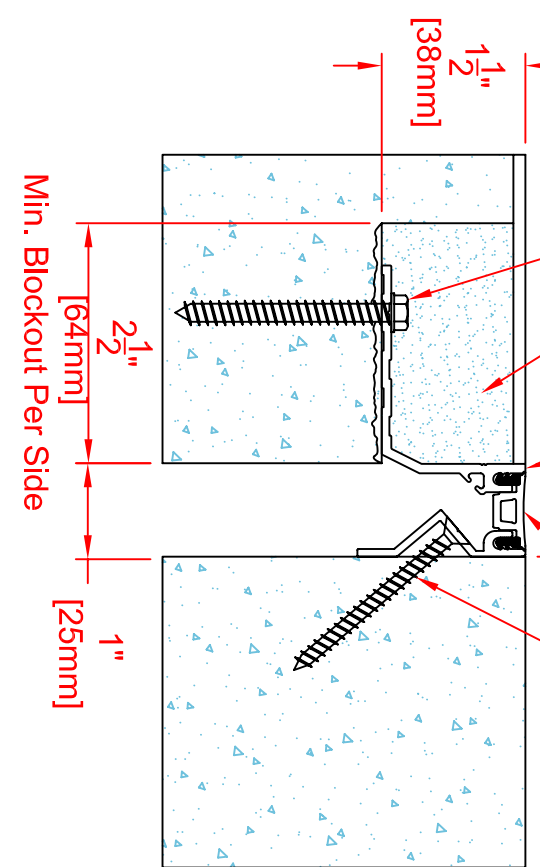
Floor Finish & Backfill
(By Others)

Hex Head Concrete Screw (JK001)
(7 Per Frame @ 18" O.C.)

1"
[25mm]

Continuous Santoprene Seal

Flat Head Concrete Screw (JK002)
(7 Per Frame @ 18" O.C.)



SPECIFY SEAL COLOR	
Black	(J1D001)
Beige	(J1D002)
Gray	(J1D003)
Off White	(J1D004)
Bright White	(J1D005)

Aluminum Finish-Mill

120-A01-02538 SYSTEM

Joint Width	Movement ±		Load
	Horizontal	Vertical	
US mm	US mm	US mm	US Ton
1"	1/4"	1/4"	2.8
25	6	6	25

Continuous Aluminum Recessed Frame (J1A003)

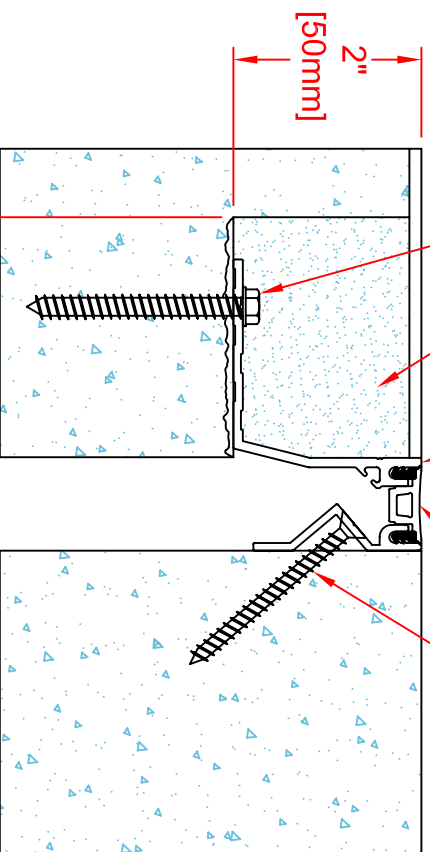
Floor Finish & Backfill
(By Others)

Hex Head Concrete Screw (JK001)
(7 Per Frame @ 18" O.C.)

1" [25mm]

Continuous Santoprene Seal

Flat Head Concrete Screw (JK002)
(7 Per Frame @ 18" O.C.)



Note:
To determine
blockout depth,
deduct thickness
of floor finish
from frame
height.

SPECIFY SEAL COLOR	
Black (J1D001)	
Beige (J1D002)	
Gray (J1D003)	
Off White (J1D004)	
Bright White (J1D005)	

Aluminum Finish-Mill

120-A01-02550 SYSTEM

Joint Width	Movement ±		Load
	Horizontal	Vertical	
US mm	US mm	US mm	US Ton
1" 25	1/4" 6	1/4" 6	2.8 25

Min. Blockout Per Side

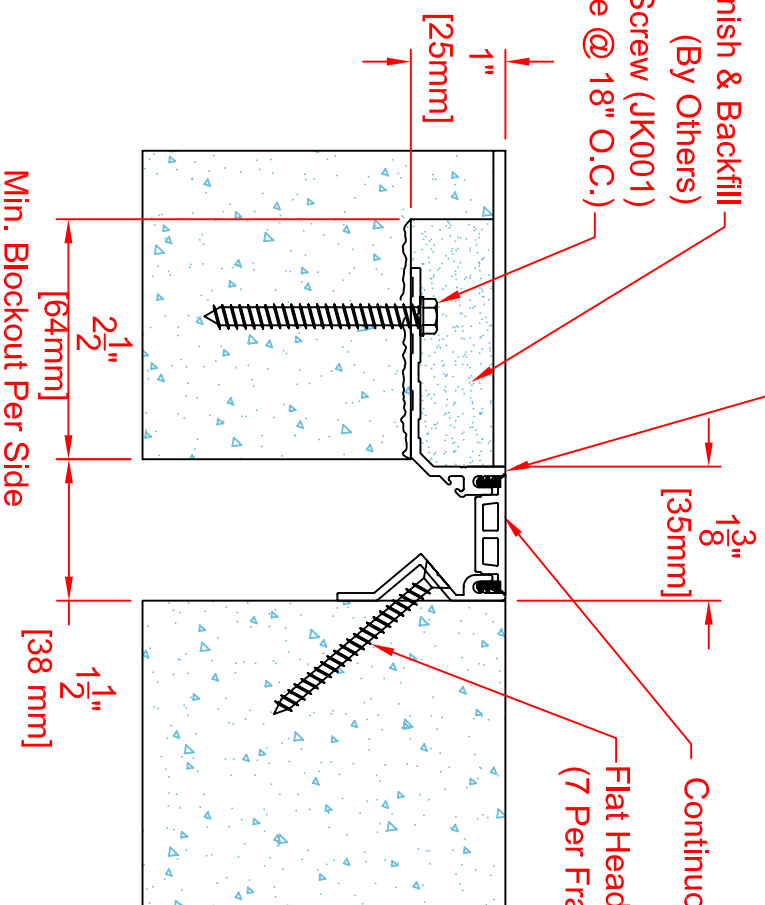
Continuous Aluminum Recessed Frame (J1A001)

Floor Finish & Backfill
(By Others)

Hex Head Concrete Screw (JK001)
(7 Per Frame @ 18" O.C.)

Continuous Santoprene Seal

Flat Head Concrete Screw (JK002)
(7 Per Frame @ 18" O.C.)



Note:
To determine
blockout depth,
deduct thickness
of floor finish
from frame
height.

SPECIFY SEAL COLOR	
Black	(J1D006)
Beige	(J1D007)
Gray	(J1D008)
Off White	(J1D009)
Bright White	(J1D010)

Aluminum Finish-Mill

Joint Width	Movement ±		Load
	Horizontal	Vertical	
US mm	US mm	US mm	US Ton
1-1/2"	38	3/8"	10
			1.7
			15

120-A01-03825 SYSTEM

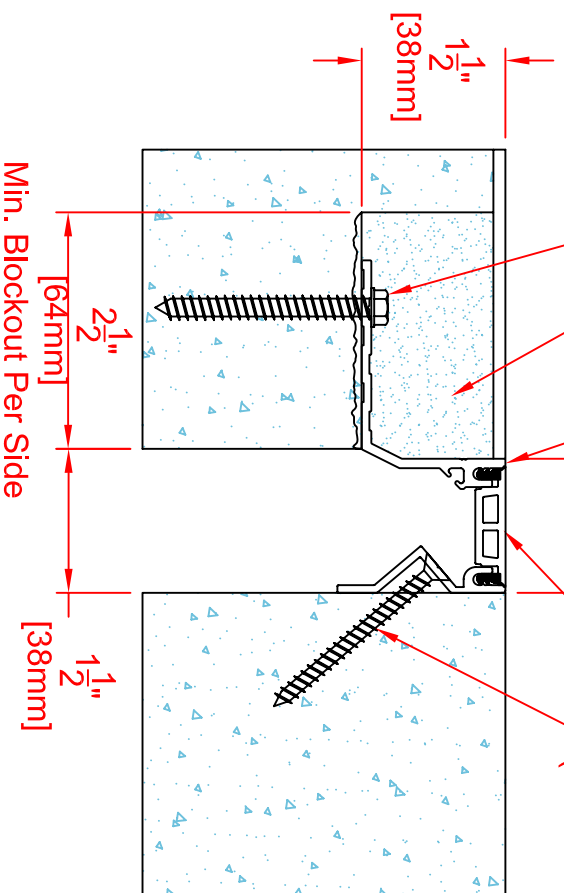
Continuous Aluminum Recessed Frame (J1A002)

Floor Finish & Backfill
(By Others)

Hex Head Concrete Screw (JK001)
(7 Per Frame @ 18" O.C.)

$\frac{1}{8}$ "
[35mm]

Continuous Santoprene Seal
Flat Head Concrete Screw (JK002)
(7 Per Frame @ 18" O.C.)



Note:
To determine
blockout depth,
deduct thickness
of floor finish
from frame
height.

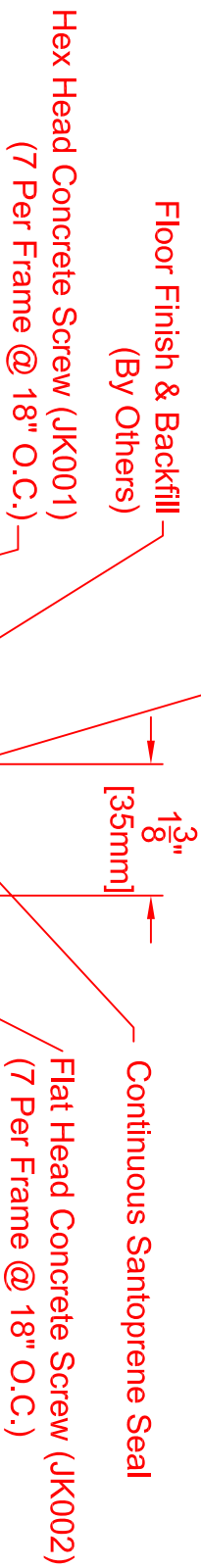
SPECIFY SEAL COLOR	
Black (J1D006)	
Beige (J1D007)	
Gray (J1D008)	
Off White (J1D009)	
Bright White (J1D010)	

Aluminum Finish-Mill

120-A01-03838 SYSTEM

Joint Width	Movement ±		Load
	Horizontal	Vertical	
US mm	US mm	US mm	US Ton
1-1/2" 38	3/8" 10	3/8" 10	1.7 15

Continuous Aluminum Recessed Frame (J1A003)



Note:
To determine
blockout depth,
deduct thickness
of floor finish
from frame
height.

SPECIFY SEAL COLOR	
Black (J1D006)	
Beige (J1D007)	
Gray (J1D008)	
Off White (J1D009)	
Bright White (J1D010)	

Aluminum Finish-Mill

Joint Width	Movement ±	Load
US mm	Horizontal mm	US Ton
1-1/2" 38	3/8" 10	1.7 KN
	Vertical mm	
	3/8" 10	15

120-A01-03850 SYSTEM

Min. Blockout Per Side