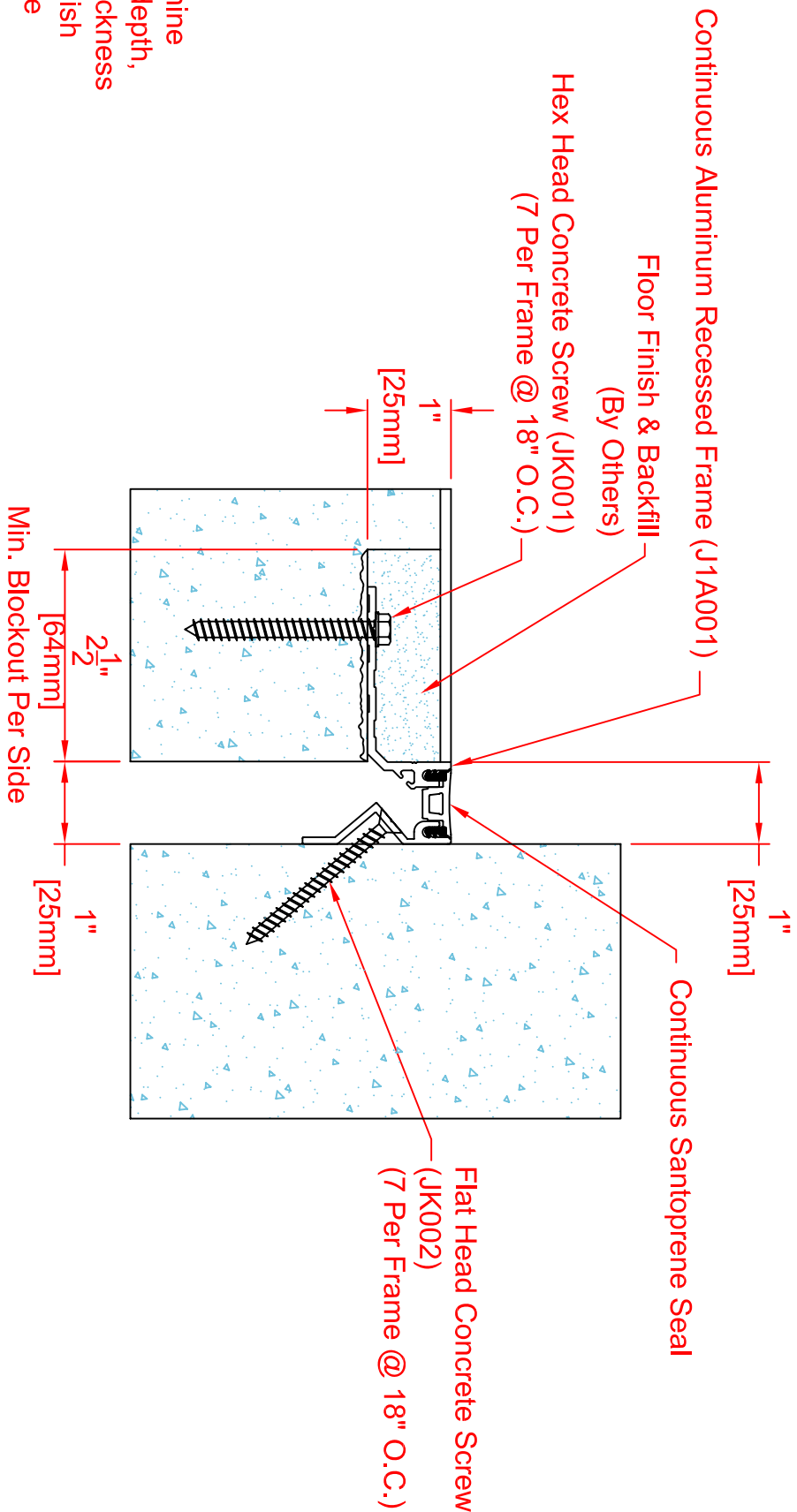


Note:
 To determine
 blockout depth,
 deduct thickness
 of floor finish
 from frame
 height.

SPECIFY SEAL COLOR	
Black (J1D001)	
Beige (J1D002)	
Gray (J1D003)	
Off White (J1D004)	
Bright White (J1D005)	

Aluminum Finish-Mill



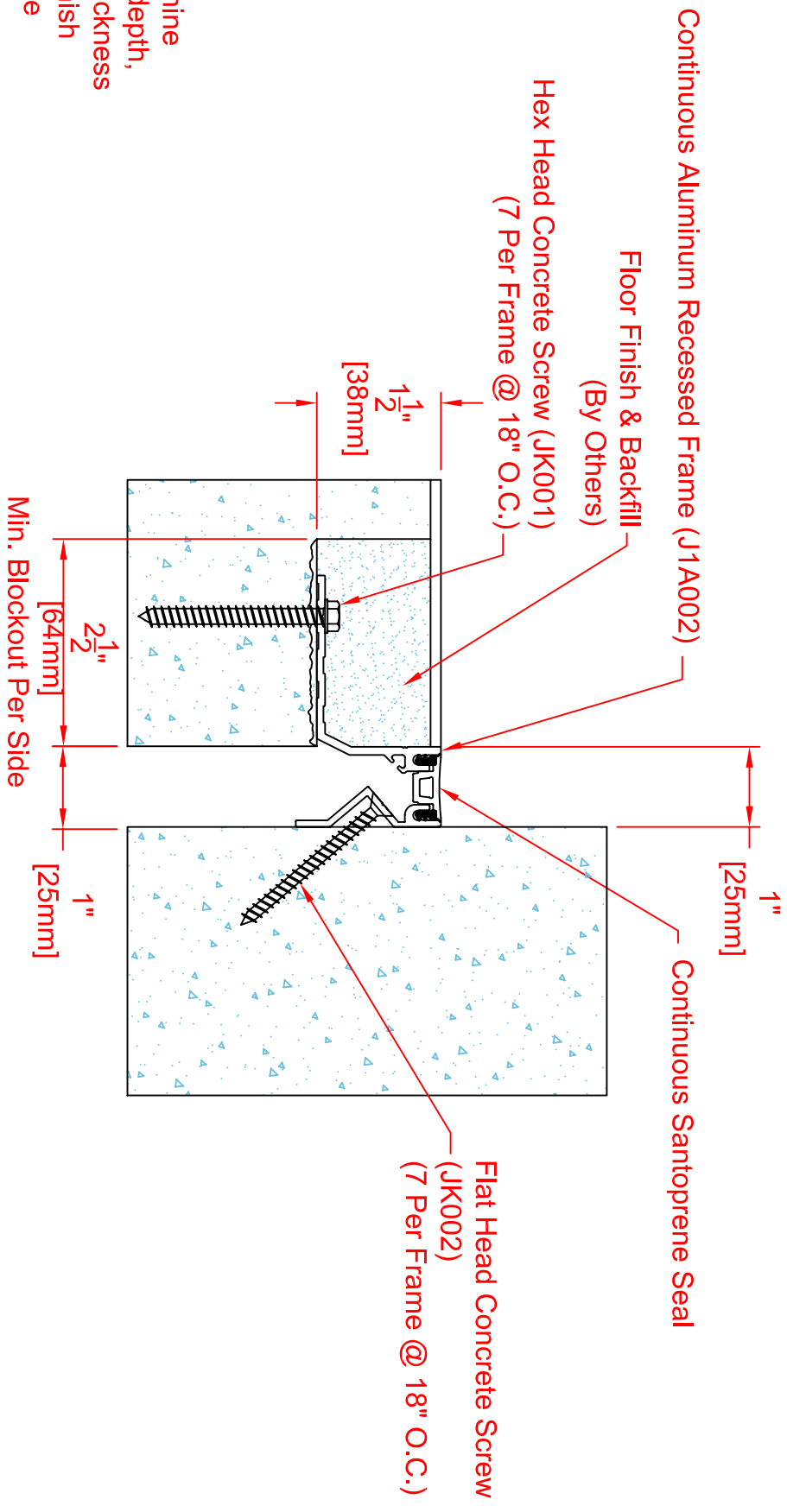
120-A02-02525 SYSTEM

Joint Width	Movement ±		Load		
	Horizontal	Vertical	US Ton	KN	
US 25	mm 6	US 1/4"	mm 6	US 2.8	KN 25

Note:
 To determine
 blackout depth,
 deduct thickness
 of floor finish
 from frame
 height.

SPECIFY SEAL COLOR	
Black (J1D001)	
Beige (J1D002)	
Gray (J1D003)	
Off White (J1D004)	
Bright White (J1D005)	

Aluminum Finish-Mill



120-A02-02538 SYSTEM

Joint Width	Movement ±		Load
	Horizontal	Vertical	
US mm	US mm	US mm	US Ton
1"	25	1/4"	6
			6
			2.8
			25

Continuous Aluminum Recessed Frame (J1A003)

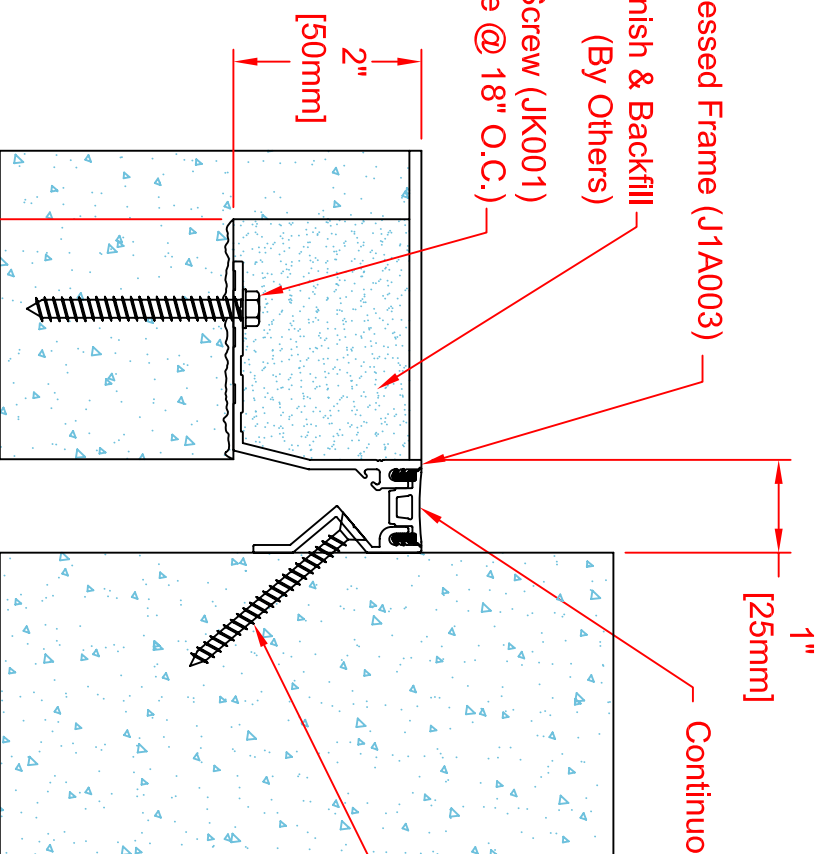
Floor Finish & Backfill
(By Others)

Hex Head Concrete Screw (JK001)
(7 Per Frame @ 18" O.C.)

1"
[25mm]

Continuous Santoprene Seal

Flat Head Concrete Screw
(JK002)
(7 Per Frame @ 18" O.C.)



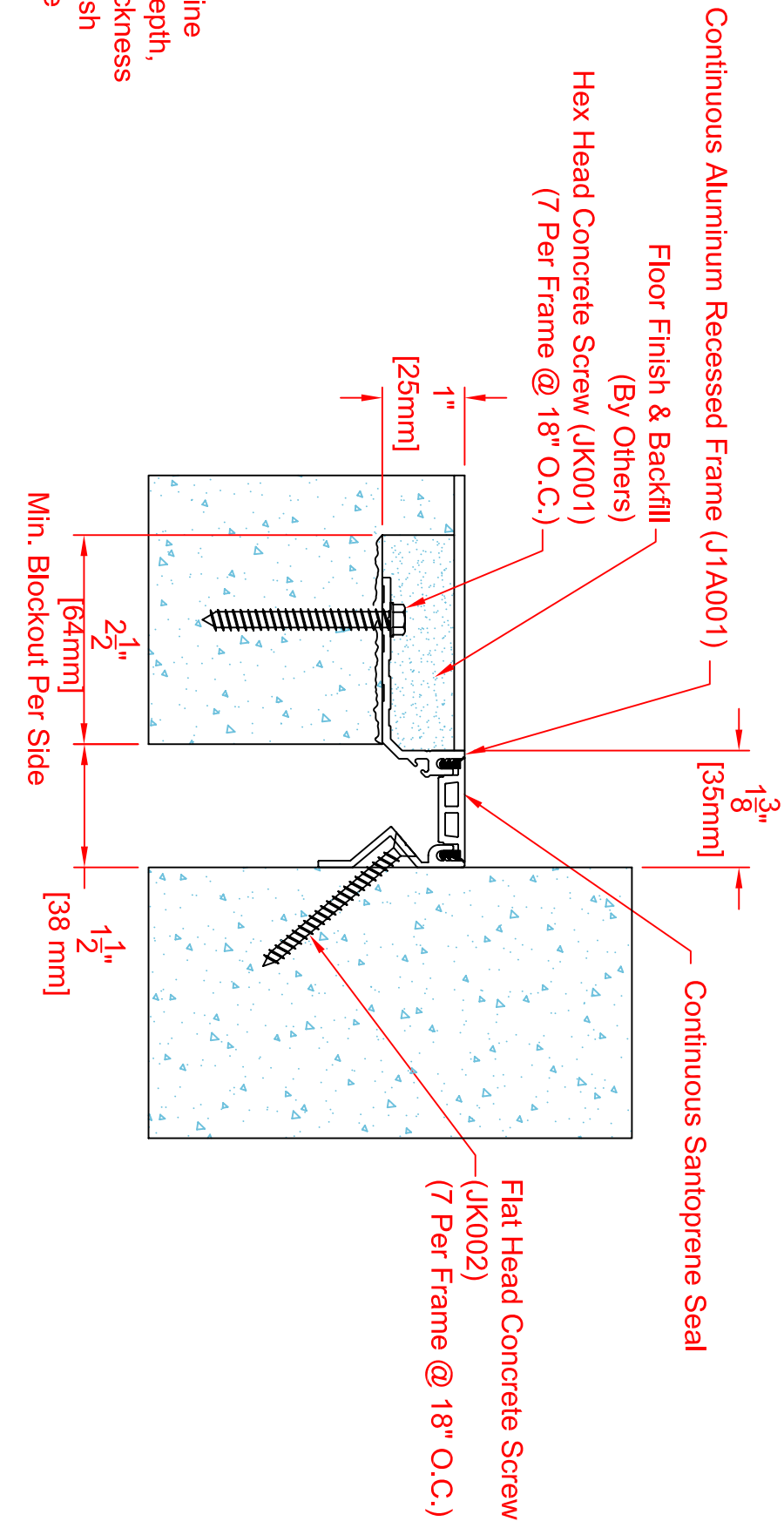
Note:
To determine
blockout depth,
deduct thickness
of floor finish
from frame
height.

SPECIFY SEAL COLOR	
Black (J1D001)	
Beige (J1D002)	
Gray (J1D003)	
Off White (J1D004)	
Bright White (J1D005)	

Aluminum Finish-Mill

120-A02-02550 SYSTEM

Joint Width	Movement ±		Load
	Horizontal	Vertical	
US mm	US mm	US mm	US Ton
1"	25	1/4"	6
			2.8
			25



Note:
 To determine
 blockout depth,
 deduct thickness
 of floor finish
 from frame
 height.

SPECIFY SEAL COLOR	
Black	(J1D006)
Beige	(J1D007)
Gray	(J1D008)
Off White	(J1D009)
Bright White	(J1D010)

Aluminum Finish-Mill

Joint Width	Movement ±		Load
	Horizontal	Vertical	
US mm	US mm	US mm	US Ton
1-1/2" 38	3/8" 10	3/8" 10	1.7 KN

120-A02-03825 SYSTEM

Continuous Aluminum Recessed Frame (J11A002)

Floor Finish & Backfill
(By Others)

Hex Head Concrete Screw (JK001)
(7 Per Frame @ 18" O.C.)

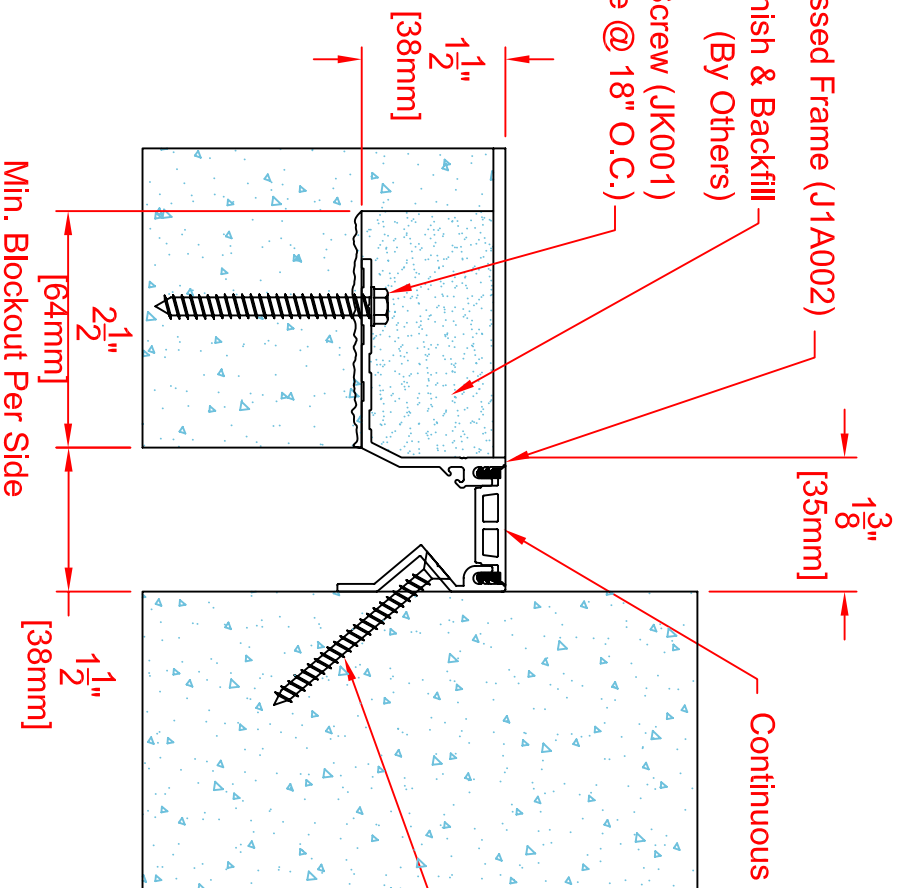
Continuous Santoprene Seal

Flat Head Concrete Screw
(JK002)
(7 Per Frame @ 18" O.C.)

Note:
To determine
blockout depth,
deduct thickness
of floor finish
from frame
height.

SPECIFY SEAL COLOR	
Black (J1D006)	
Beige (J1D007)	
Gray (J1D008)	
Off White (J1D009)	
Bright White (J1D010)	

Aluminum Finish-Mill



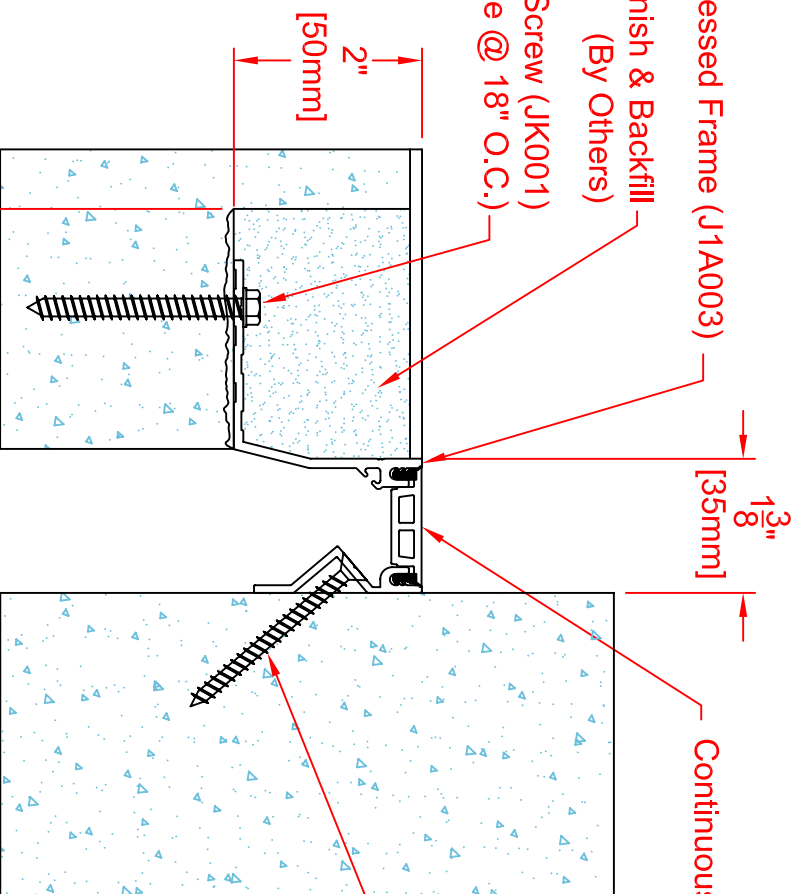
120-A02-03838 SYSTEM

Joint Width	Movement ±		Load				
	Horizontal	Vertical					
US	mm	US	mm	US Ton	KN		
1-1/2"	38	3/8"	10	3/8"	10	1.7	15

Continuous Aluminum Recessed Frame (J1A003) 1 3/8" [35mm]

Floor Finish & Backfill
(By Others)

Hex Head Concrete Screw (JK001)
(7 Per Frame @ 18" O.C.)



Flat Head Concrete Screw
(JK002)
(7 Per Frame @ 18" O.C.)

Note:
To determine
blockout depth,
deduct thickness
of floor finish
from frame
height.

SPECIFY SEAL COLOR	
Black (J1D006)	
Beige (J1D007)	
Gray (J1D008)	
Off White (J1D009)	
Bright White (J1D010)	

Aluminum Finish-Mill

120-A02-03850 SYSTEM

Joint Width	Movement ±		Load	
	Horizontal	Vertical	US Ton	KN
US mm	3/8"	10 mm	1.7	15
1-1/2"	38 mm	10 mm	1.7	15