

Installation Instructions

Joint Systems: 132-A01/A02, 133-A01/A02

Note: Verify that the structural gap and blockout dimensions are in conformance with submittal data before beginning installation. If this is a fire rated assembly, install the fire barrier before the architectural joint system. Refer to the fire barrier instructions for specific system installation.

FIG. 1

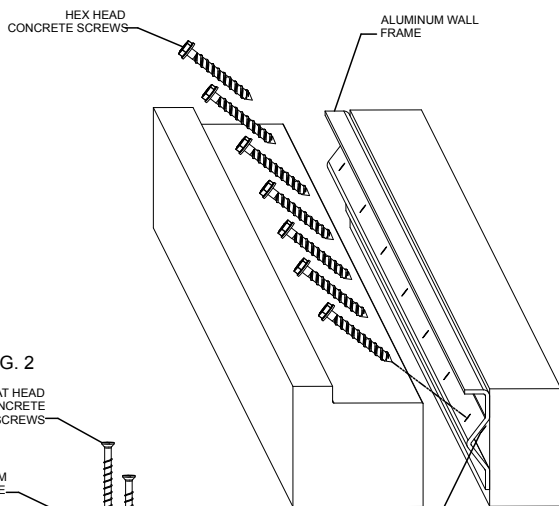


FIG. 2

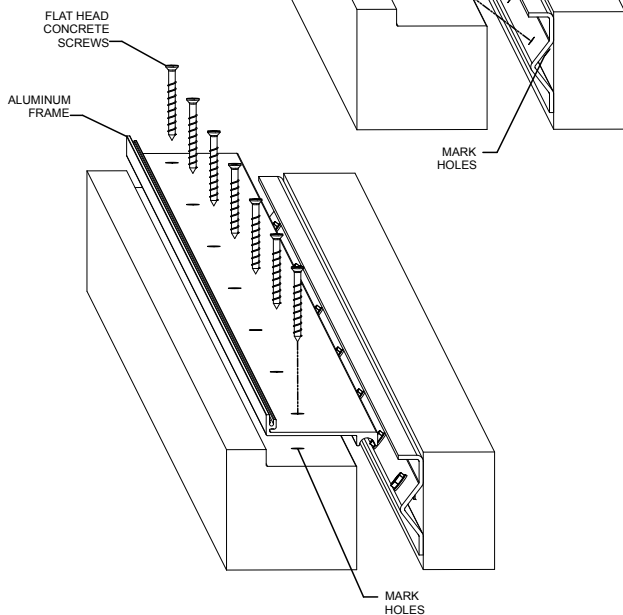
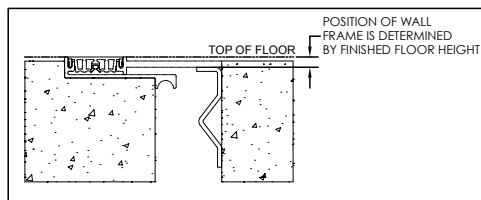


FIG. 1a



1. Install the architectural joint system on a level surface within the blockout. To determine blockout depth, deduct thickness of floor finish from frame height. Make sure top of frame is level with the finished floor height. See Fig. 1a. This may require adding leveling compound to raise the tops of the frames. For floor to wall systems, align the recessed frame with the flush frame.

See Fig. 1

2. Cut the aluminum frames to the desired length.
3. Place the aluminum wall frame against the wall so that the top of the frame is level with the floor slab. Mark the hole locations on the wall.
4. Remove the frame from the wall.
5. Drill all marked hole locations on wall using a 3/16" (5mm) concrete drill bit. Drill 1 5/8" (42mm) deep.
6. Return the wall angle into position over the drilled holes. Secure the angle to the wall with one JK001 1/4" x 1 1/2" hex head concrete screws per hole.

See Fig. 2

7. Place the aluminum frame into the blockout. Mark the hole locations and remove the frame.
8. Drill all marked holes with a 3/16" drill bit 2 1/2" deep.
9. Return the frame into position and secure it with one JK002 flat head concrete screw per hole.

See Fig. 3

10. Lay the continuous aluminum half plate into position on the wall angle and the recessed frame.



IPC.926/REV.1

Installation Questions?

Contact our Installation Hotline 866.EZINPRO
For Sales & Customer Service call 800.222.5556

INPRO CORPORATION
Interior and Exterior Architectural Products

Installation Instructions

Joint Systems: 132-A01/A02, 133-A01/A02

FIG. 1a

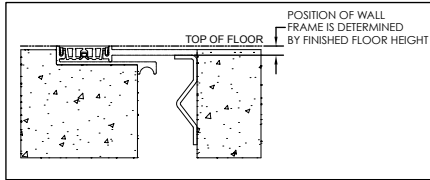


FIG. 3

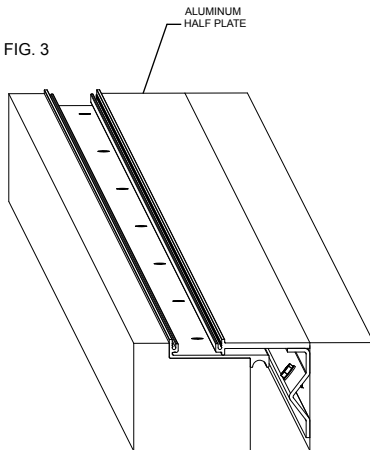


FIG. 4

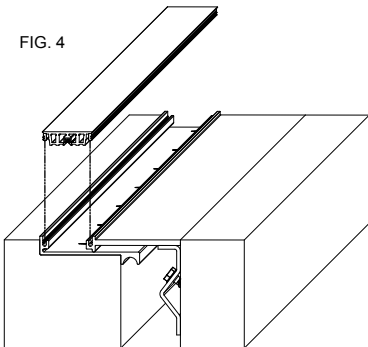
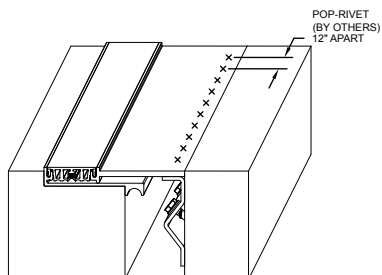


FIG. 5



See Fig. 4

11. Insert the santoprene seal into the slots on the aluminum until it is flush with the tops of the frames.

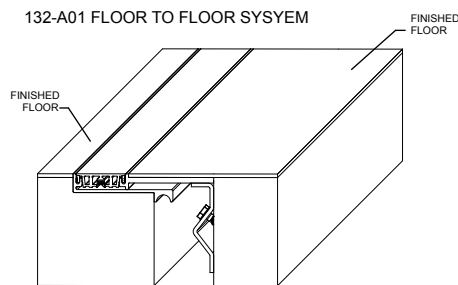
Note: To assist with the installation of the seal, apply a mist of soapy water to the back of the seal. Additionally, use a 1" wide seam roller to help fully engage the seal into the aluminum slots.

See Fig. 5

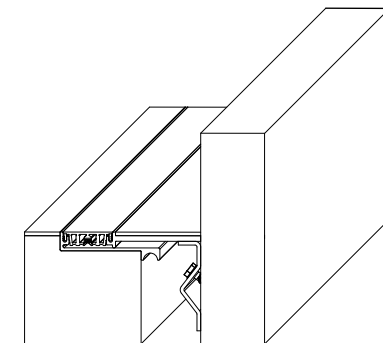
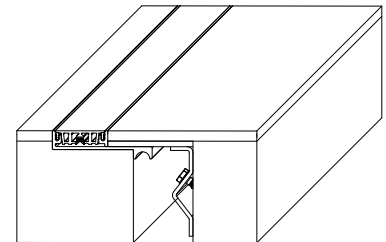
12. Drill holes and countersink for pop rivets. Install one pop rivet every foot. The pop rivet holds the half plate to the wall angle.

13. Complete the installation with the finish flooring.

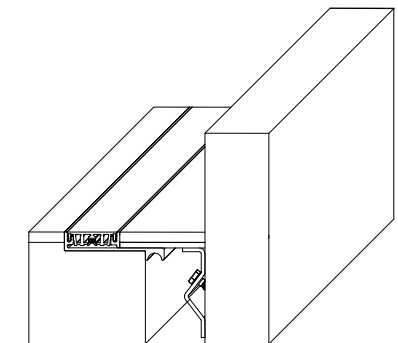
132-A01 FLOOR TO FLOOR SYSTEM



133-A01 FLOOR TO FLOOR SYSTEM



132-A02 FLOOR TO WALL SYSTEM



133-A02 FLOOR TO WALL SYSTEM



IPC.926/REV.1

Installation Questions?

Contact our Installation Hotline 866.EZINPRO
For Sales & Customer Service call 800.222.5556

INPRO CORPORATION
Interior and Exterior Architectural Products