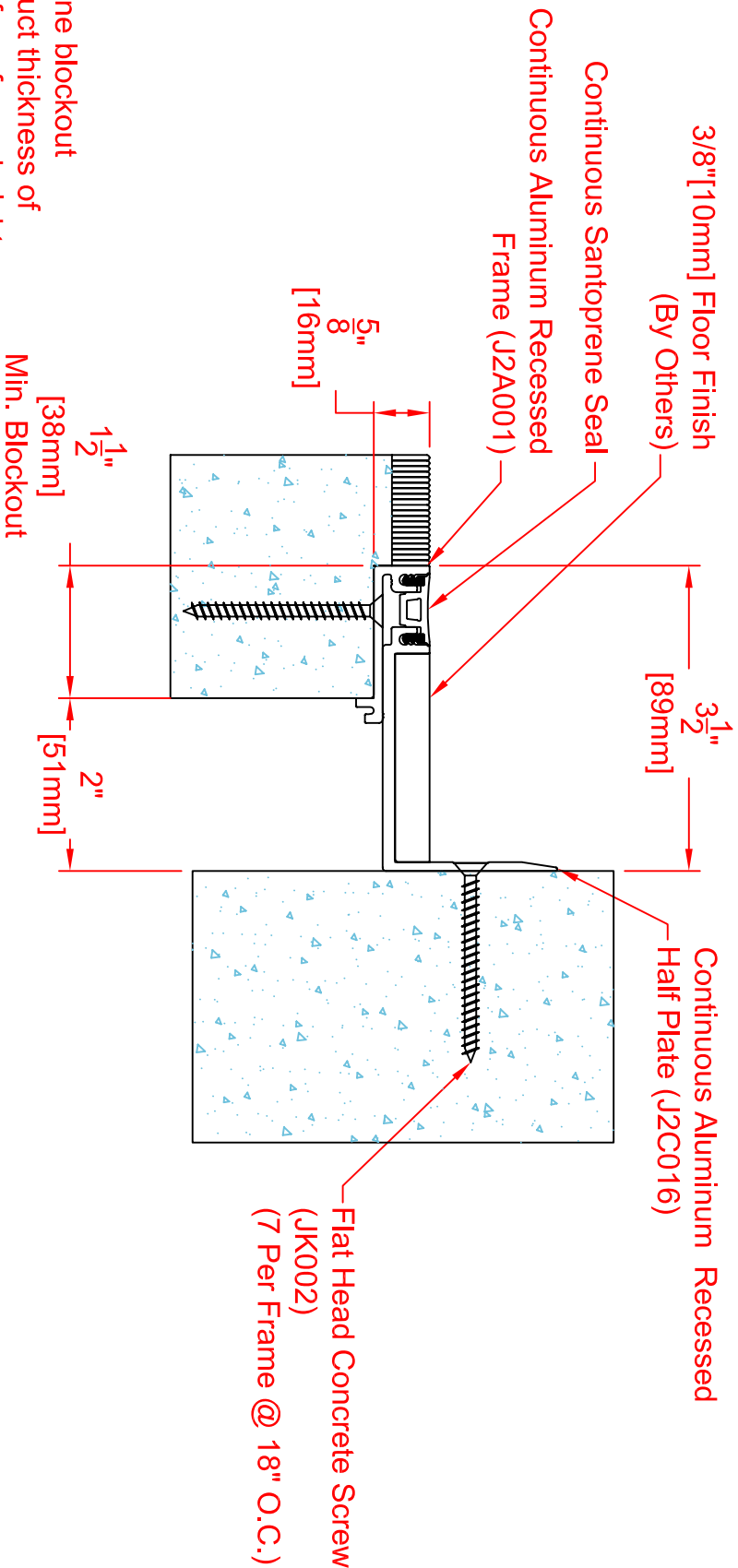


Note:
To determine knockout depth, deduct thickness of floor finish from frame height.

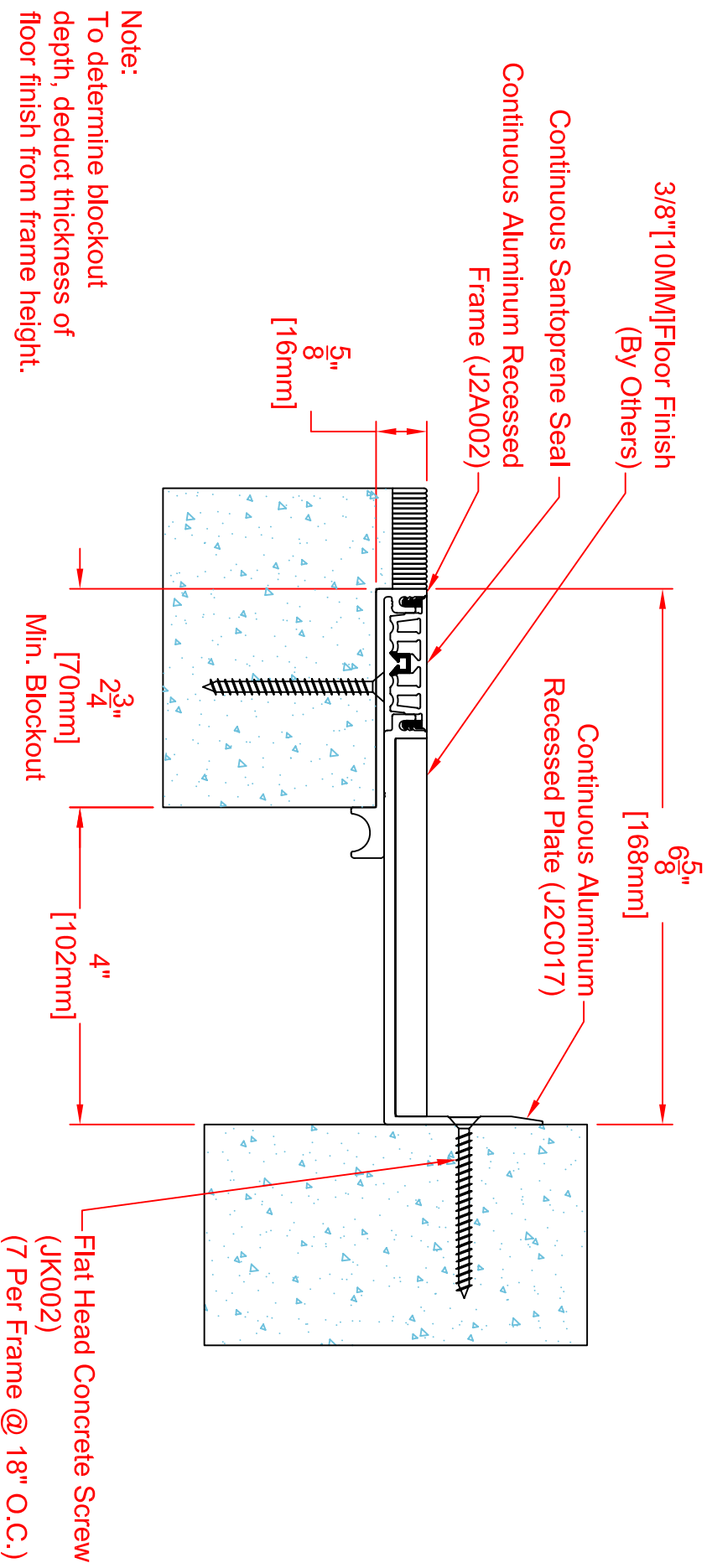
SPECIFY SEAL COLOR	
Black (J1D001)	
Beige (J1D002)	
Gray (J1D003)	
Off White (J1D004)	
Bright White (J1D005)	

Aluminum Finish-Mill



223-A02-050 SYSTEM

Joint Width	Movement ±		Load
	Horizontal	Vertical	
US 51	mm 6	US 1/4"	US Ton 2.8
mm 51	US 1/4"	mm 6	KN 25



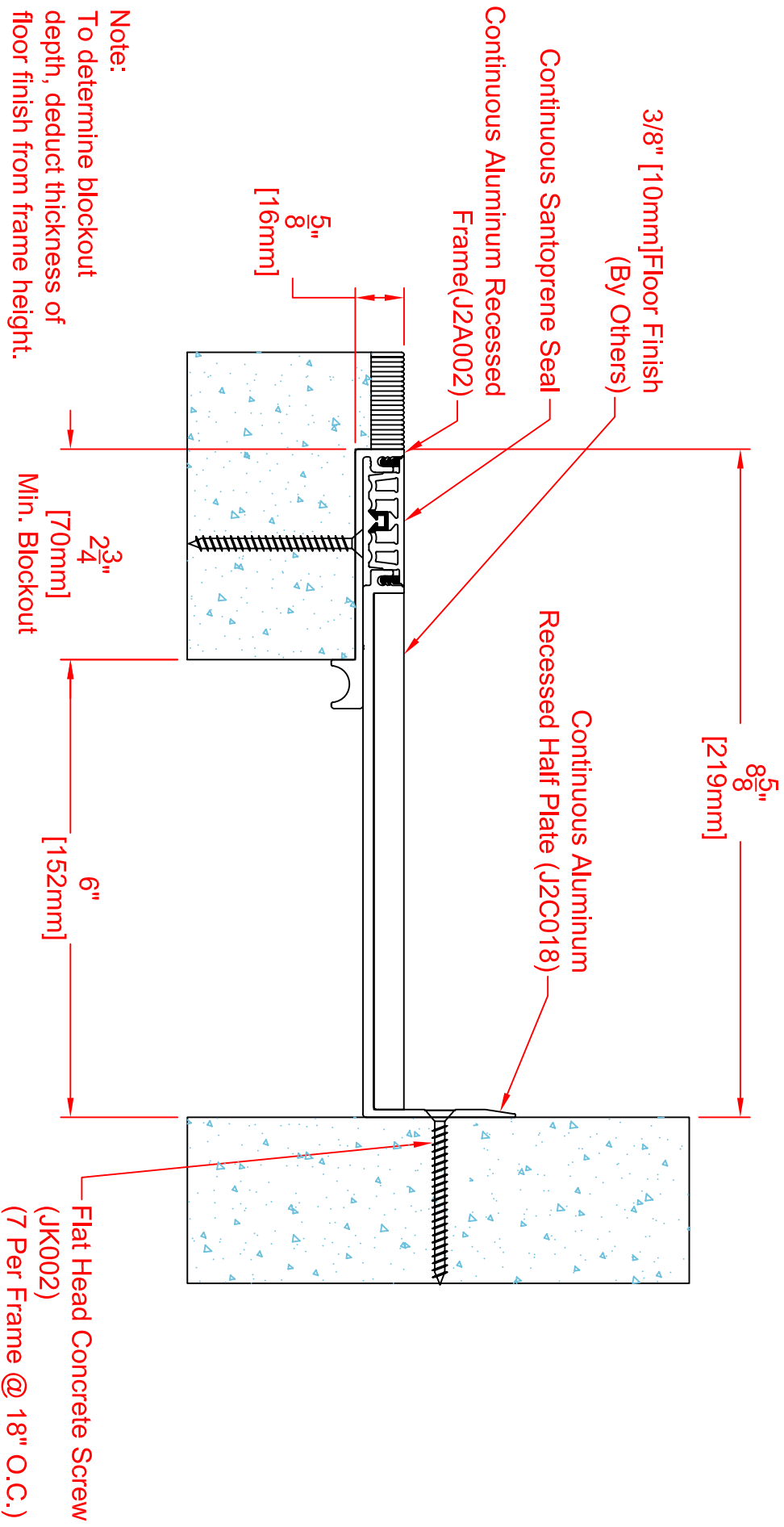
Note:
To determine blockout depth, deduct thickness of floor finish from frame height.

SPECIFY SEAL COLOR	
Black (J1D011)	
Beige (J1D012)	
Gray (J1D013)	
Off White (J1D014)	
Bright White (J1D015)	

Aluminum Finish-Mill

Joint Width	Movement ±				Load		
	Horizontal	Vertical	Horizontal	Vertical			
US mm	US mm	US mm	US mm	US Ton	KN		
4"	102	1/2"	13	1/2"	13	1.7	15

223-A02-100 SYSTEM



SPECIFY SEAL COLOR	
Black (J1D011)	
Beige (J1D012)	
Gray (J1D013)	
Off White (J1D014)	
Bright White (J1D015)	

Aluminum Finish-Mill

Joint Width	Movement ±		Load				
	Horizontal	Vertical					
US 6"	mm 152	US 1/2"	mm 13	US Ton	HP	KN	HP

223-A02-150 SYSTEM

APPLICATION

**RECESSED FLOOR/WALL CONDITION
RECESSED PLATE FOR 3/8" FLOORING**