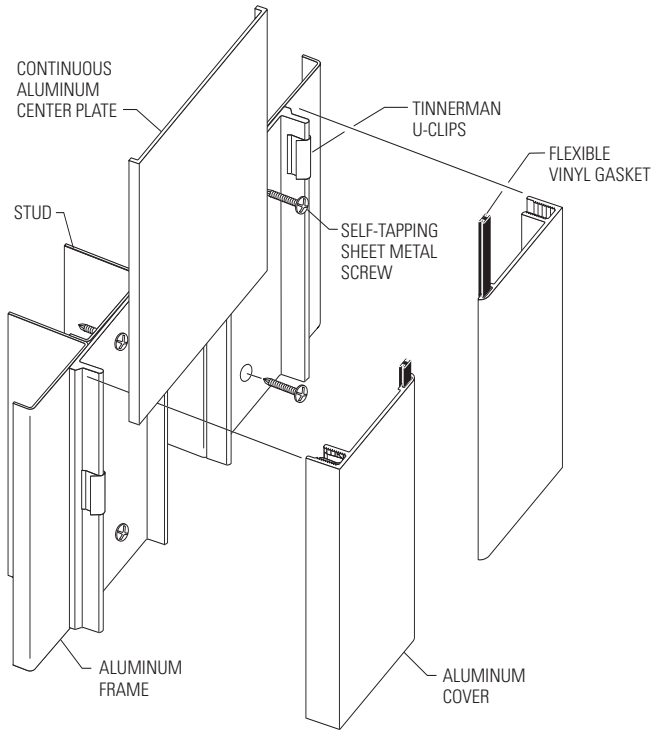


# Installation Instructions

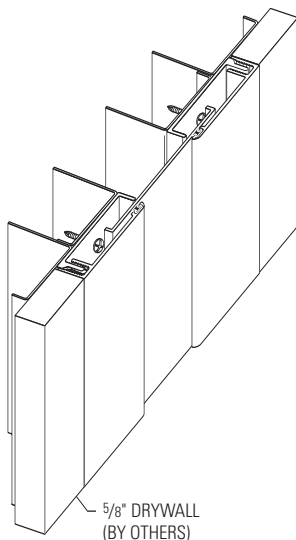
## Joint System: 300-A07, A09

**Note:** Verify that the structural gap and blockout dimensions (if recess mounted) are in conformance with submittal data before beginning installation. If this is a Fire Rated Assembly, the fire barrier must be installed before the Architectural Joint System. Refer to the fire barrier instructions for specific system installation.

**Fig. 1** (300-A07 Wall to Wall shown)



**Fig. 2a** (300-A07 completed installation)



1. Install the architectural joint system on a level surface, making sure the tops of the aluminum covers align with the finished height of the 5/8" drywall. Shims may be required to raise the tops of the frames.

### Figure 1

2. Cut the aluminum components to the desired length.
3. Slide the flexible vinyl gaskets into the aluminum covers.
4. Place the aluminum frames on both sides of the structural gap with the indented leg of the frames adjacent to the drywall. The aluminum frames should not extend over the edge of the structural gap. Align plumb.  
NOTE: Please refer to system specific details for frame spacing on A09 wall to corner systems.
5. Secure the frames to the substrate with JK061 self tapping sheet metal screws.
6. Press the JK090 Tinnerman U-Clips onto the outermost (indented) legs of the aluminum frames spaced approximately 18" on center starting 6" from each end.
7. Place and hold the aluminum center plate (legs facing the wall) over the frames while firmly pressing one cover onto the Tinnerman U-Clips installed on the frame. Repeat process on opposite frame to complete system.

### Figure 2

8. Install 5/8" drywall adjacent to frames.
9. Clean the exposed surfaces with a non-solvent cleaner, such as 409, as required.

**Fig. 2b** (300-A09 completed installation)

