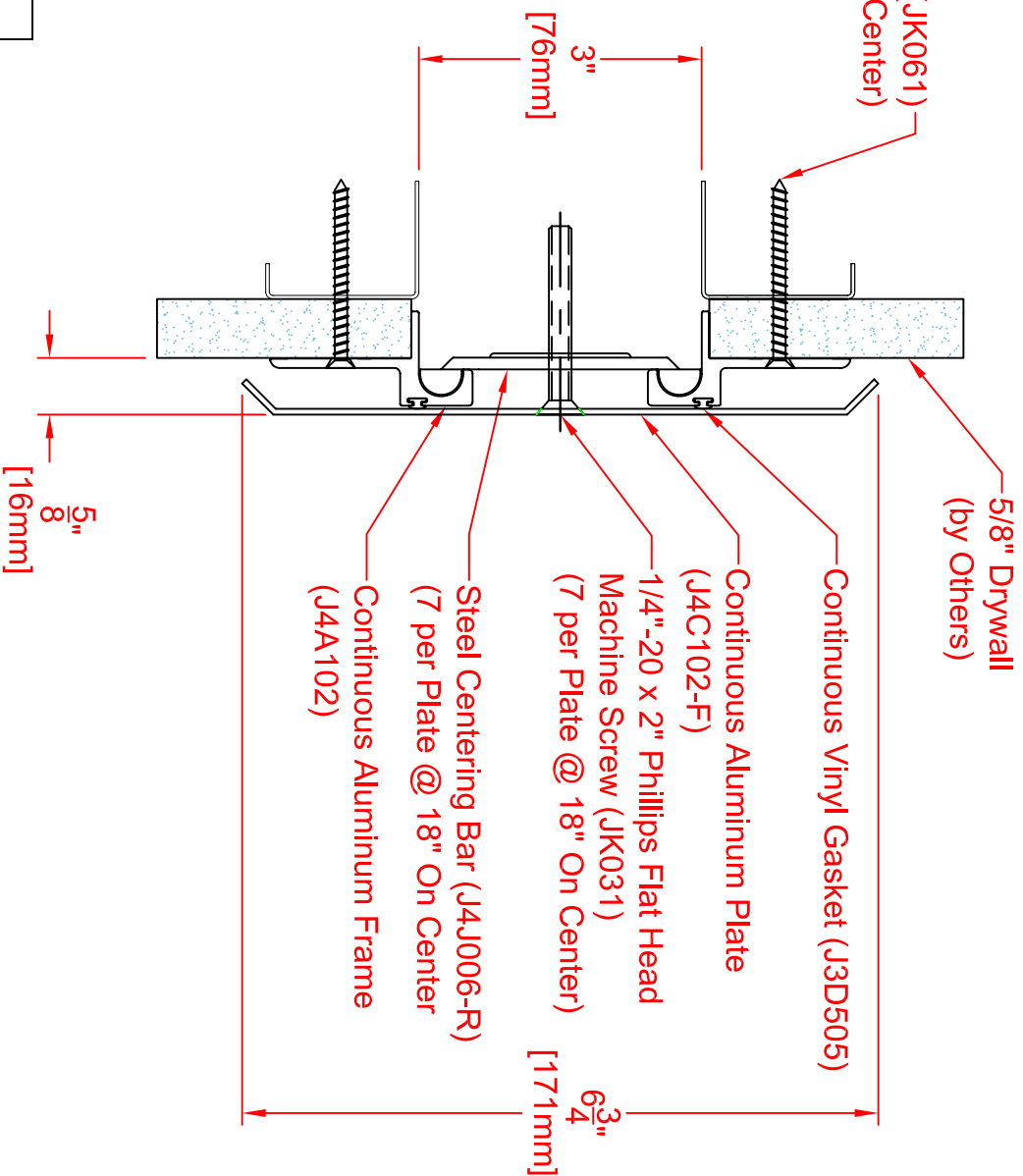


# 491-A07-050

Joint Width	Horizontal	Movement ±	Vertical
US mm	US mm	US mm	mm
2"	51	9/16"	14
			25

Self-Tapping Sheet Metal Screw (JK061)  
(7 per Frame @ 18" On Center)



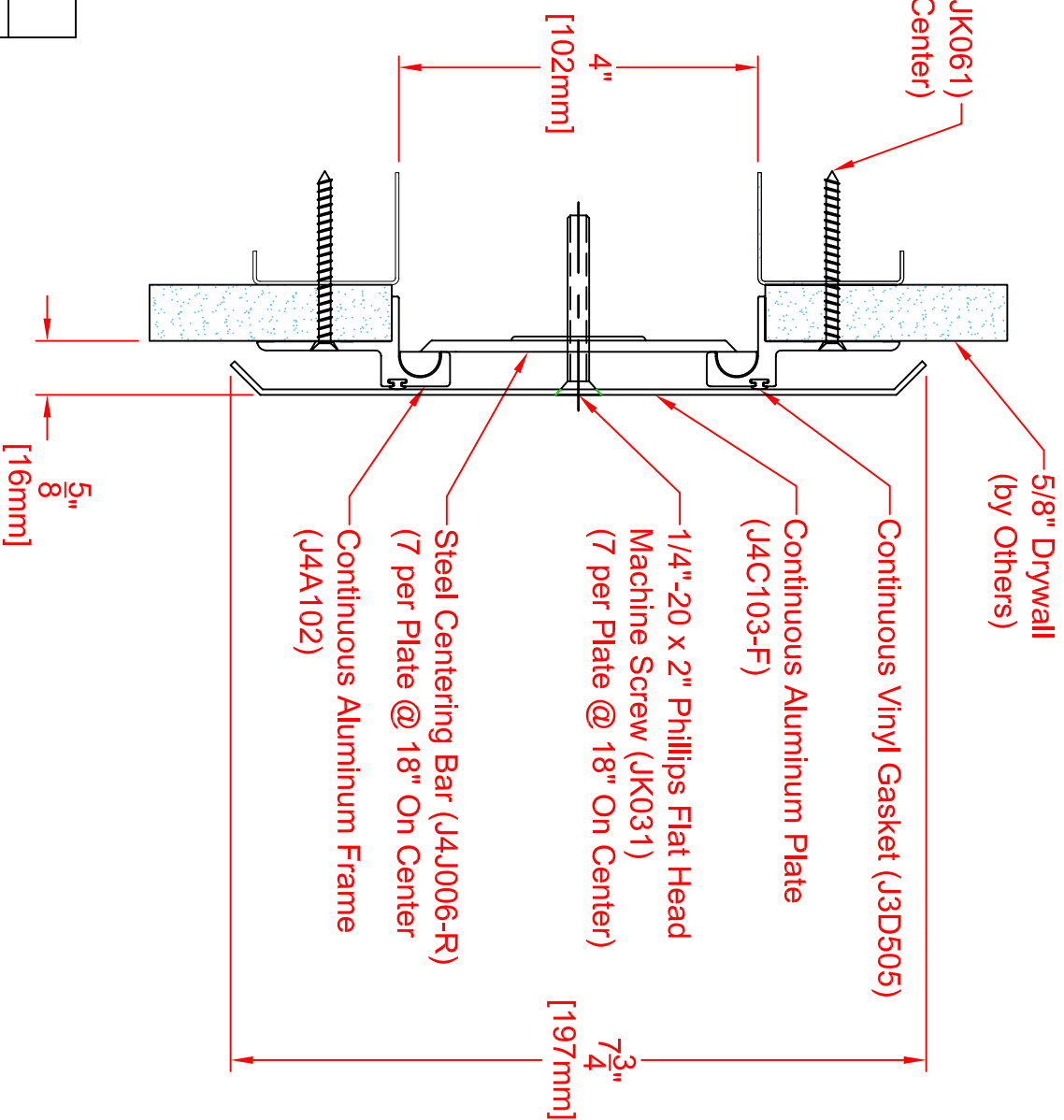
## 491-A07-075

Joint Width	Movement ±	
	Horizontal	Vertical
US	mm	mm
3"	76	38
	1-1/2"	38
		1-1/2"
		38

### APPLICATION-

CENTERING BAR SYSTEM-SURFACE MOUNT FRAME  
WALL/WALL, CEILING/CEILING CONDITION

Self-Tapping Sheet Metal Screw (JK061)  
(7 per Frame @ 18" On Center)



## 491-A07-100

Joint Width	Horizontal	Movement ±	Vertical
US mm	US mm	US mm	mm
4"	102	2"	51
		US mm	51

**INPro**  
**JOINTMASTER**  
ARCHITECTURAL JOINT SYSTEMS

DATE: 9/07/05

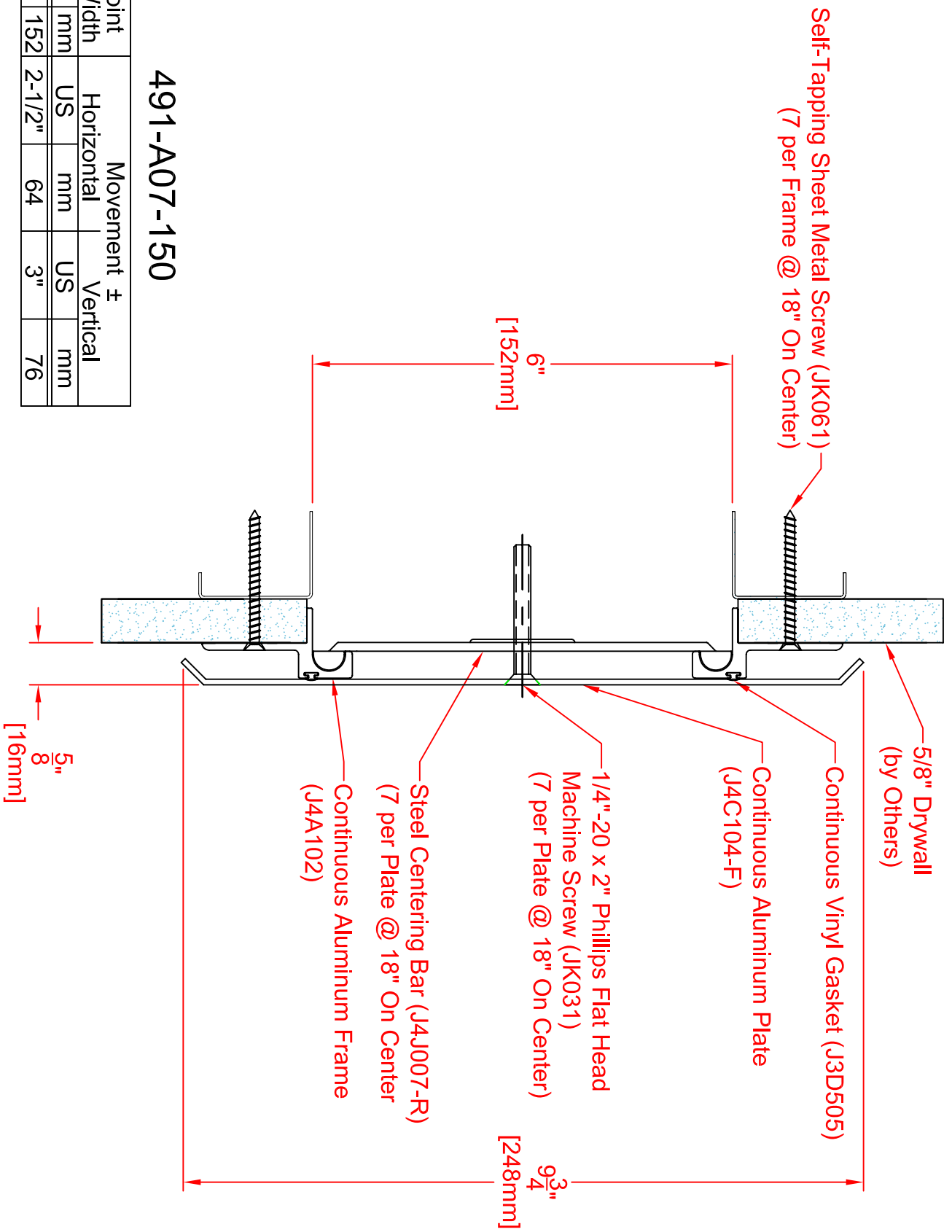
SCALE: 1/2

REV:

### APPLICATION-

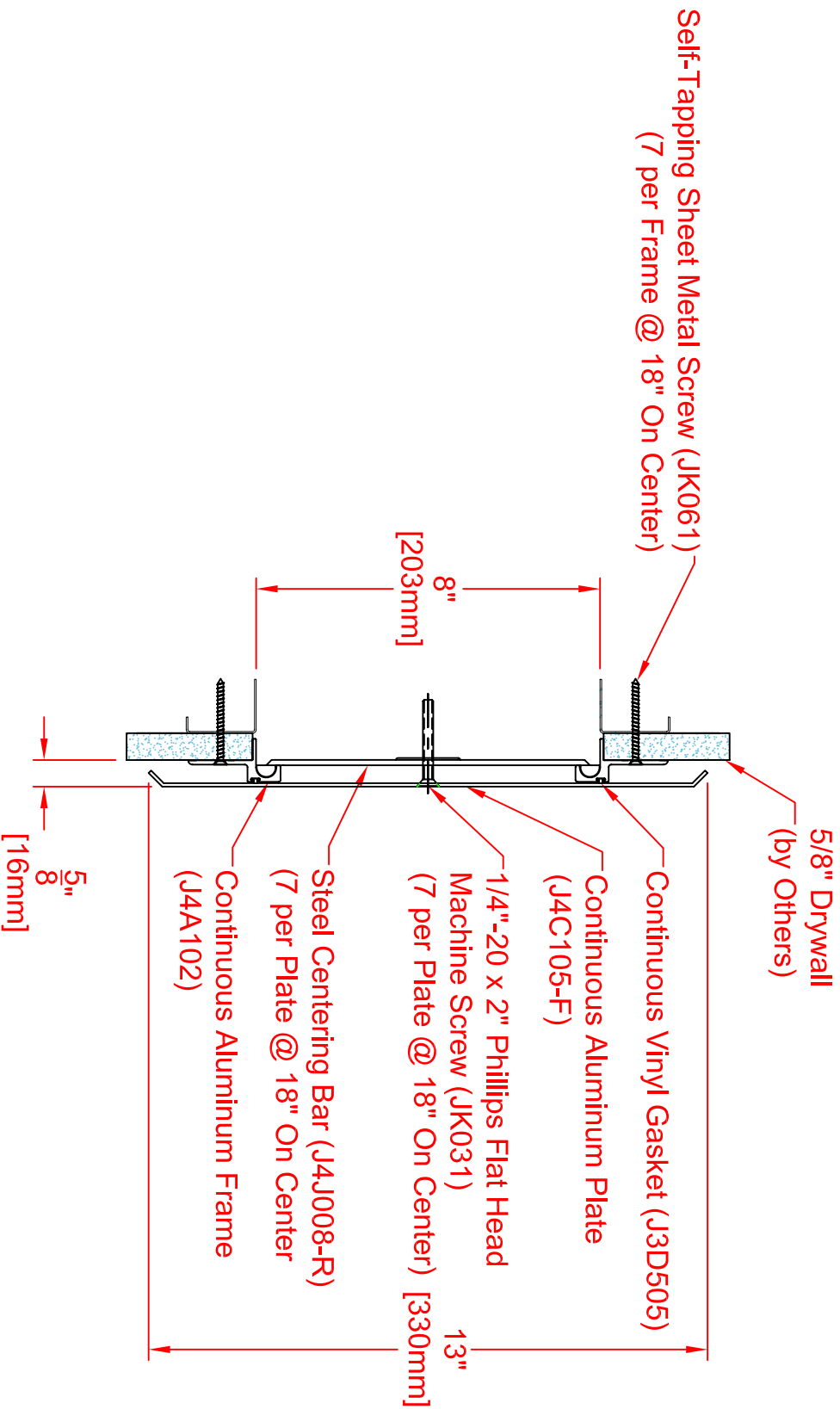
CENTERING BAR SYSTEM-SURFACE MOUNT FRAME  
WALL/WALL, CEILING/CEILING CONDITION

**INPro CORPORATION**  
Interior and Exterior Architectural Products  
S80 W18766 Apollo Drive  
Muskego, WI 53150 USA



# 491-A07-150

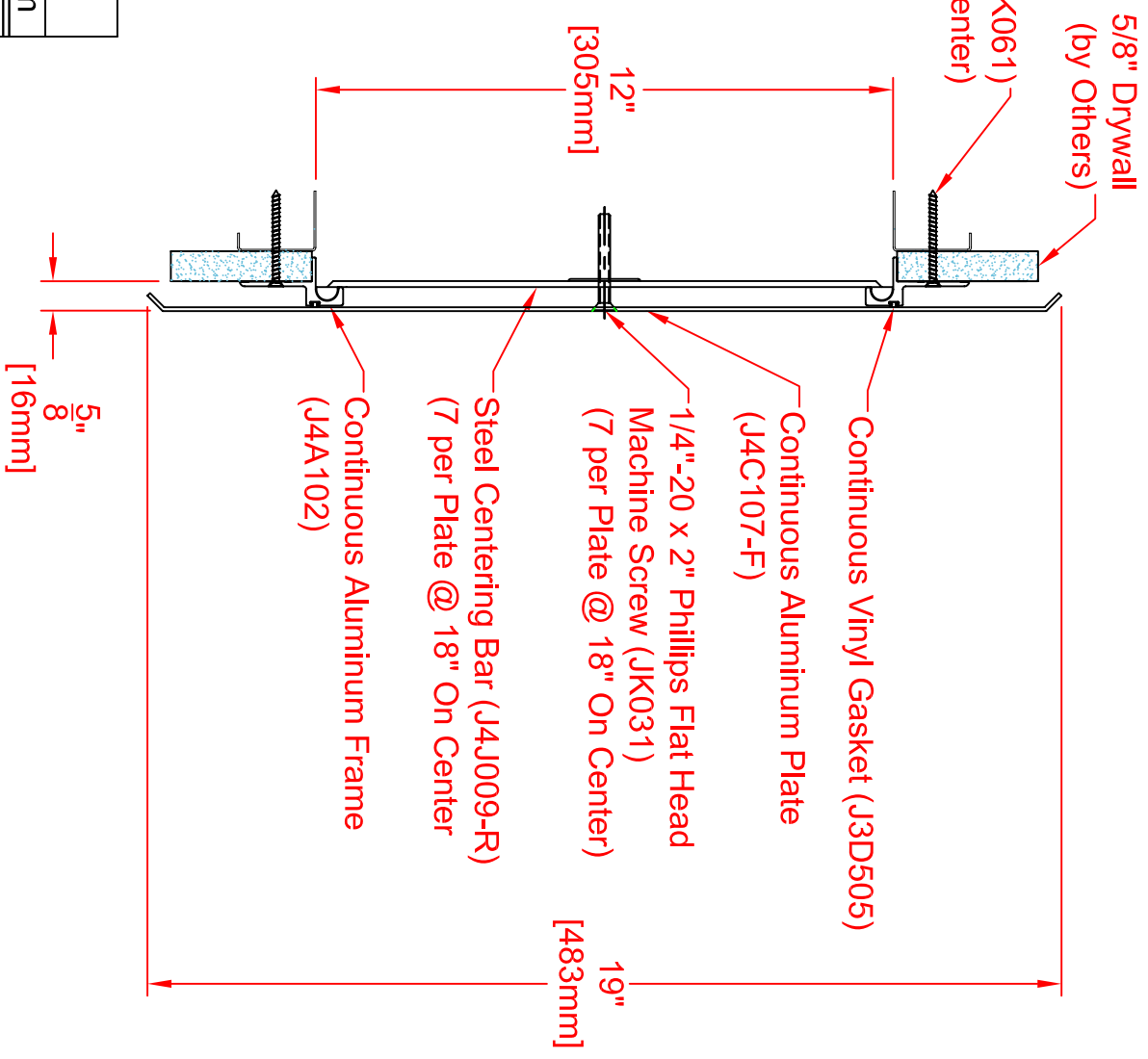
Joint Width	Movement ±	
	Horizontal	Vertical
US 6"	US 2-1/2"	US 3"
mm 152	mm 64	mm 76



## 491-A07-200

Joint Width	Movement ±	
	Horizontal	Vertical
US mm	US mm	US mm
8"	4"	4"
203	102	102

Self-Tapping Sheet Metal Screw (JK061)  
(7 per Frame @ 18" On Center)



# 491-A07-300

Joint Width	Movement ±	
	Horizontal	Vertical
US mm	US mm	US mm
12"	305	6"
		152