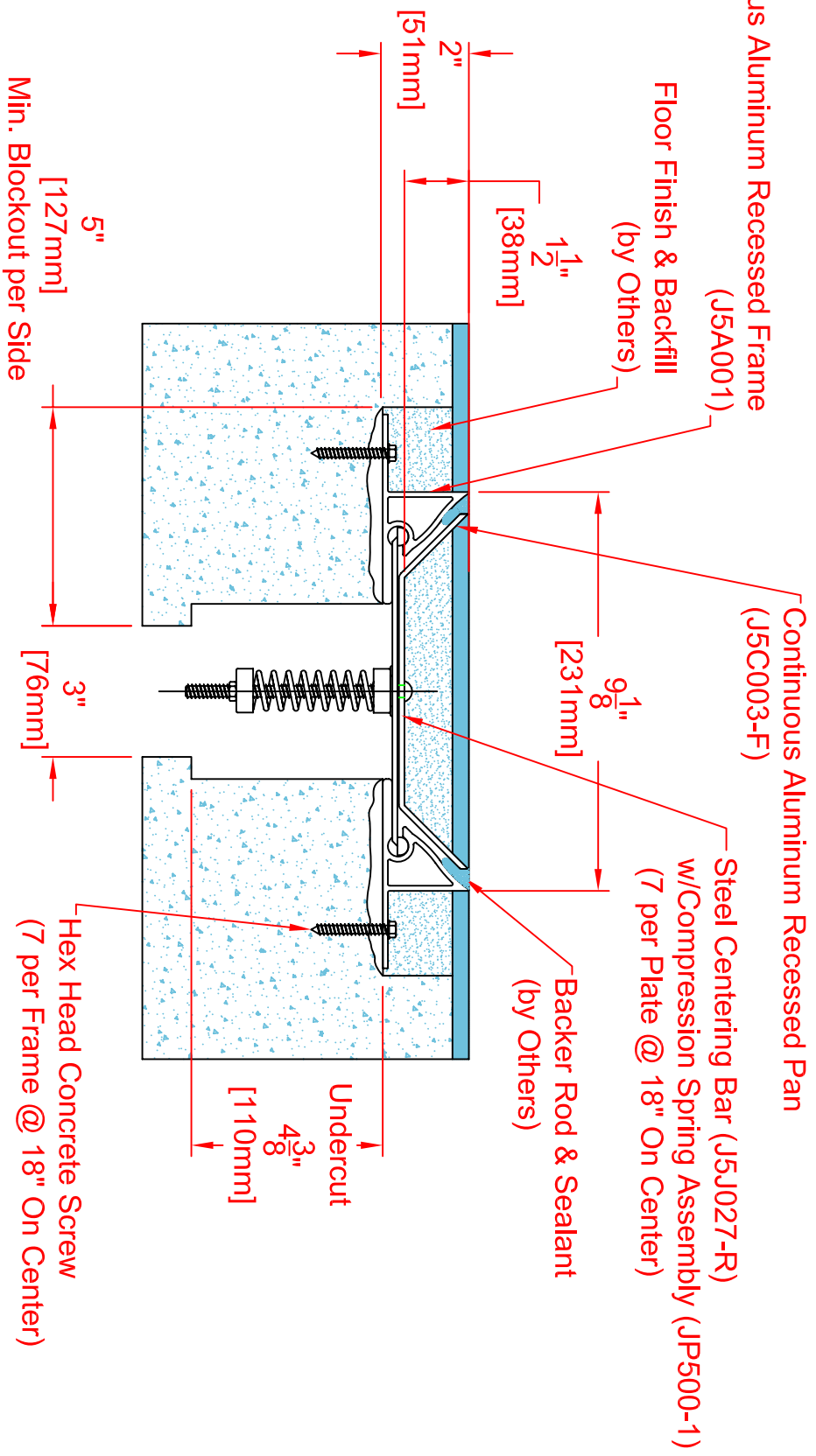


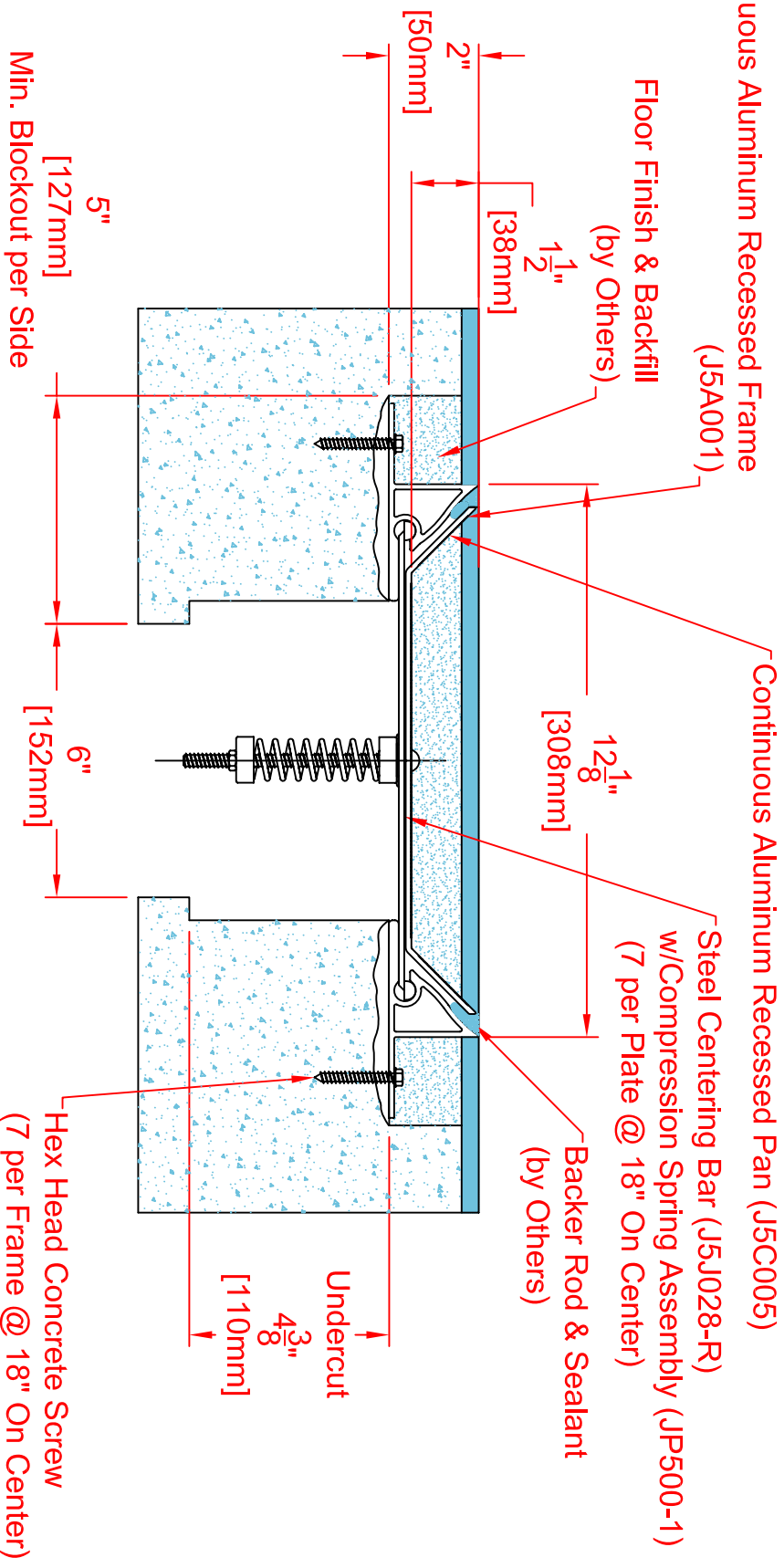
501-A01-050

Joint Width	Movement ±		Load
	Horizontal	Vertical	
US mm	US mm	US mm	US Ton
2" 51	2" 51	1/4" 6	2.8
			KN
			25



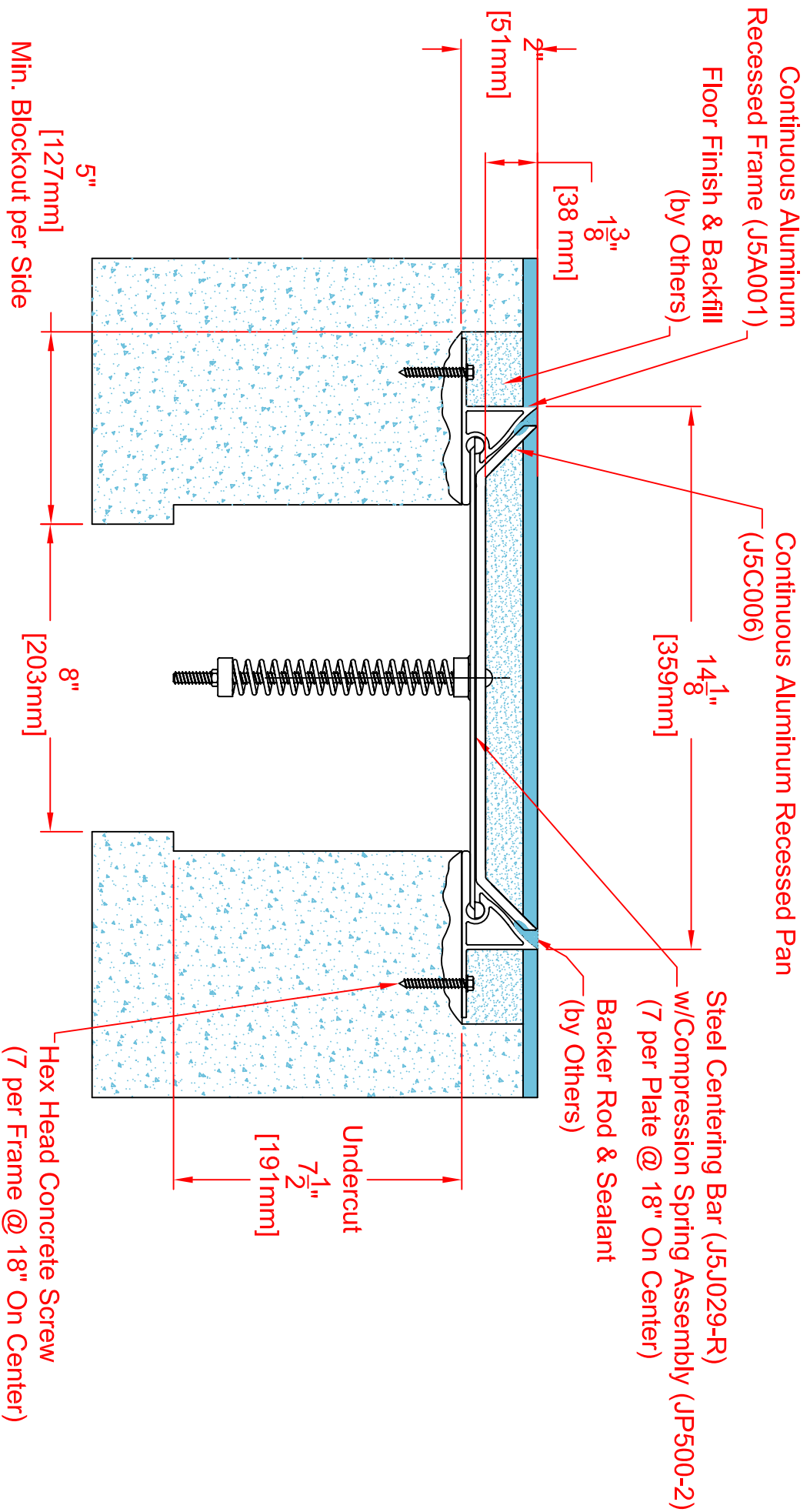
501-A01-075

Joint Width	Movement ±		Load
	Horizontal	Vertical	
US mm	US mm	US mm	US Ton
3"	76	1/2"	13
76	3"	13	1.7
			15



501-A01-150

Joint Width	Movement ±		Load
	Horizontal	Vertical	
US mm	US mm	US mm	US Ton
6" 152	6" 152	1" 25	HP HP



501-A01-200

Joint Width	Movement ±		Load
	Horizontal	Vertical	
US mm	US mm	US mm	US Ton
8" 203	8" 203	1-1/2" 38	HP
			KN
			HP