

620-A07-050

| SPECIFY SEAL COLOR | |
|-----------------------|--|
| Black (J6D201) | |
| Beige (J6D202) | |
| Gray (J6D203) | |
| Off White (J6D204) | |
| Bright White (J6D205) | |

| Joint Width | Movement ± | |
|-------------|------------|----------|
| | Horizontal | Vertical |
| US mm | US mm | US mm |
| 2" 51 | 1" 25 | 1" 25 |

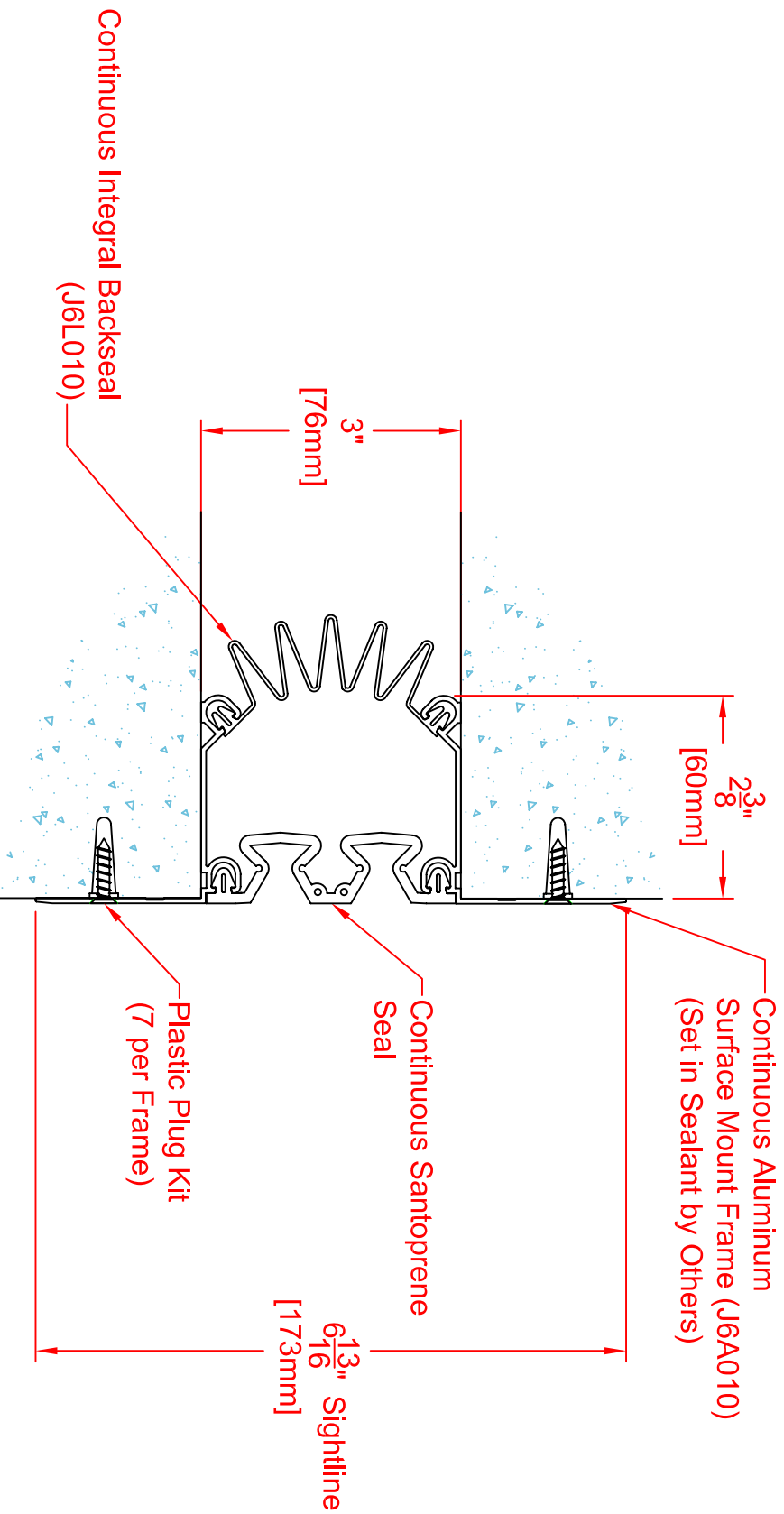
APPLICATION-

EXTERIOR WALL/WALL, CEILING/CEILING
SURFACE MOUNT WALL AND CEILING SYSTEMS

DATE: 3/14/05

SCALE: 1/2

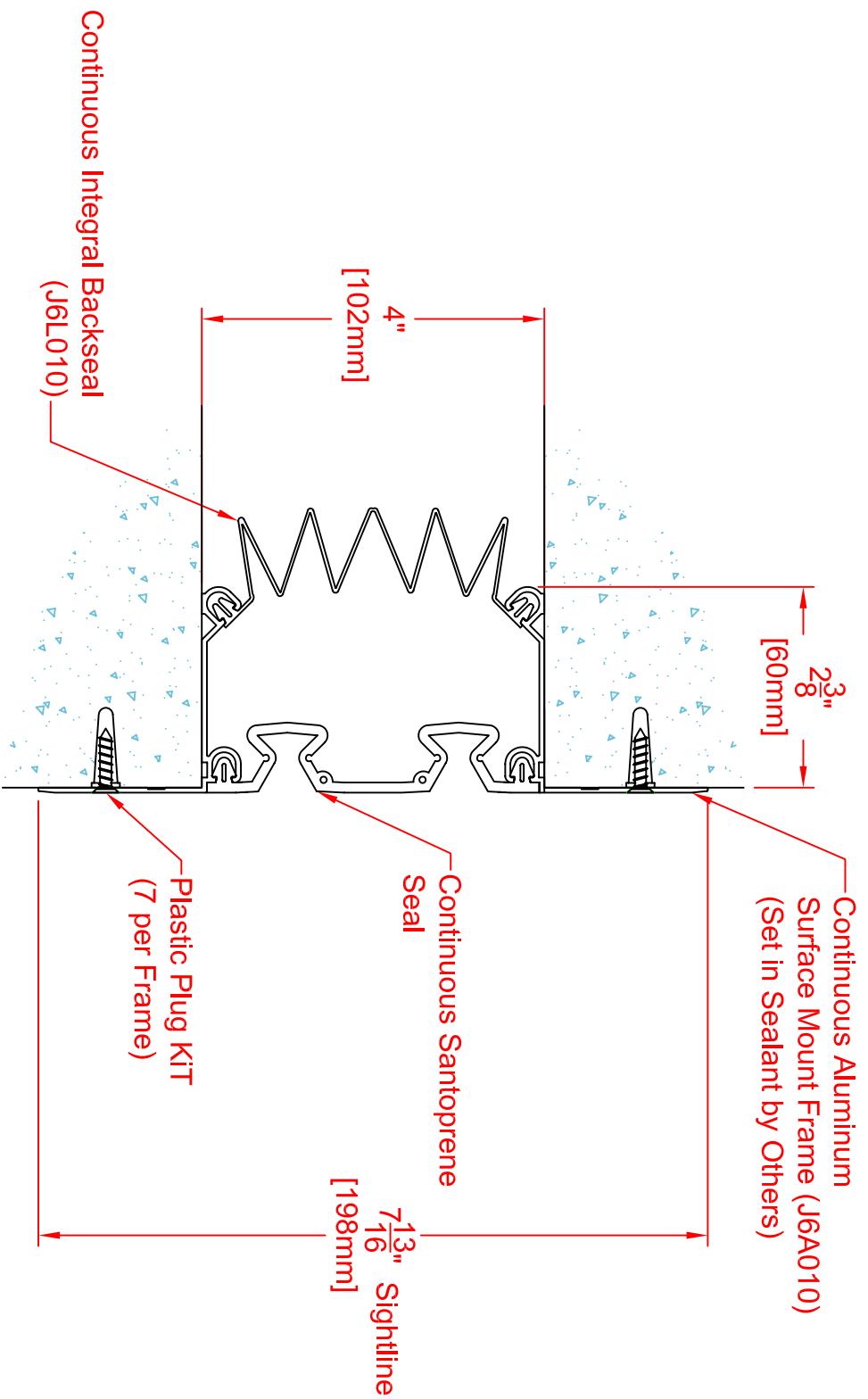
REV:



620-A07-075

| SPECIFY SEAL COLOR | |
|--------------------|----------|
| Black | (J6D301) |
| Beige | (J6D302) |
| Gray | (J6D303) |
| Off White | (J6D304) |
| Bright White | (J6D305) |

| Joint Width | Movement ± | |
|-------------|------------|-----------|
| | Horizontal | Vertical |
| US mm | US mm | US mm |
| 3" 76 | 1-1/2" 38 | 1-1/2" 38 |

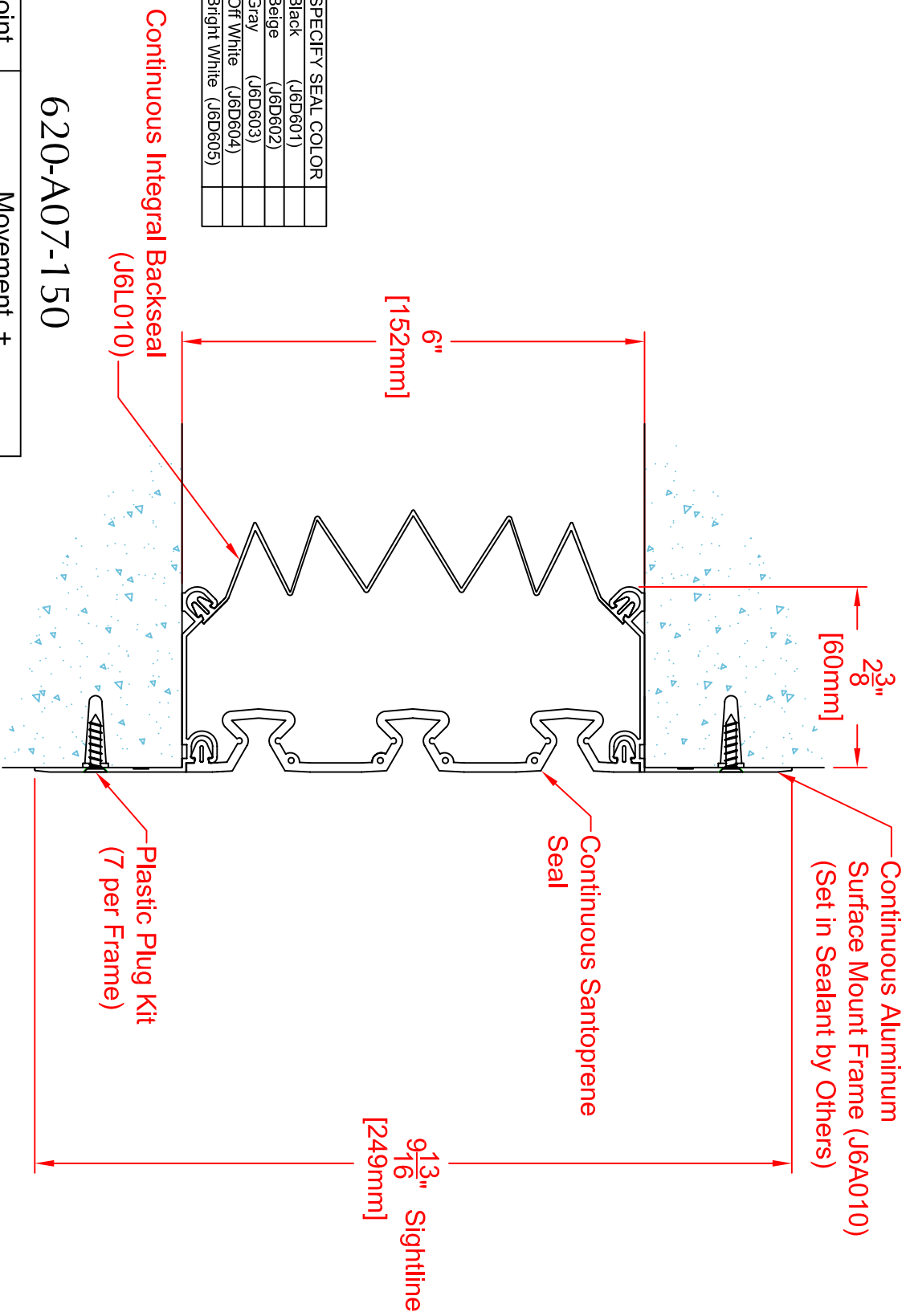


620-A07-100

| SPECIFY SEAL COLOR | |
|--------------------|----------|
| Black | (J6D401) |
| Beige | (J6D402) |
| Gray | (J6D403) |
| Off White | (J6D404) |
| Bright White | (J6D405) |

| Joint Width | Movement ± | |
|-------------|------------|----------|
| | Horizontal | Vertical |
| US mm | US mm | US mm |
| 4" 102 | 2" 51 | 2" 51 |

| SPECIFY SEAL COLOR | |
|--------------------|----------|
| Black | (J6D601) |
| Beige | (J6D602) |
| Gray | (J6D603) |
| Off White | (J6D604) |
| Bright White | (J6D605) |



620-A07-150

| Joint Width | Movement ± | |
|-------------|------------|----------|
| | Horizontal | Vertical |
| US mm | US mm | US mm |
| 6" 152 | 3" 76 | 3" 76 |

INPro
JOINTMASTER
ARCHITECTURAL JOINT SYSTEMS

DATE: 3/14/05

SCALE: 1/2

REV:

APPLICATION-

EXTERIOR WALL/WALL, CEILING/CEILING
SURFACE MOUNT WALL AND CEILING SYSTEMS

INPro CORPORATION
Interior and Exterior Architectural Products
580 W18766 Apollo Drive
Muskego, WI 53150 USA