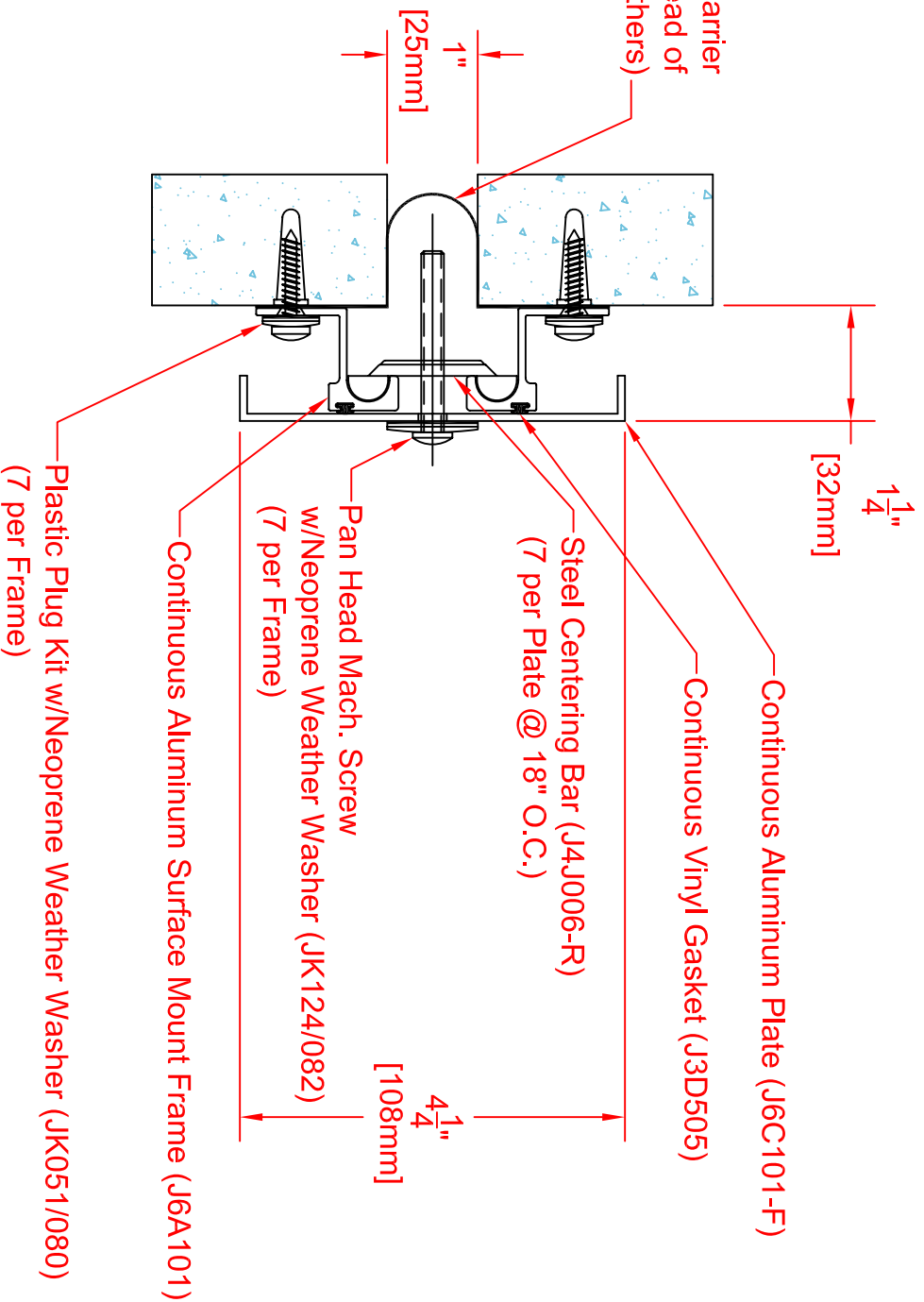


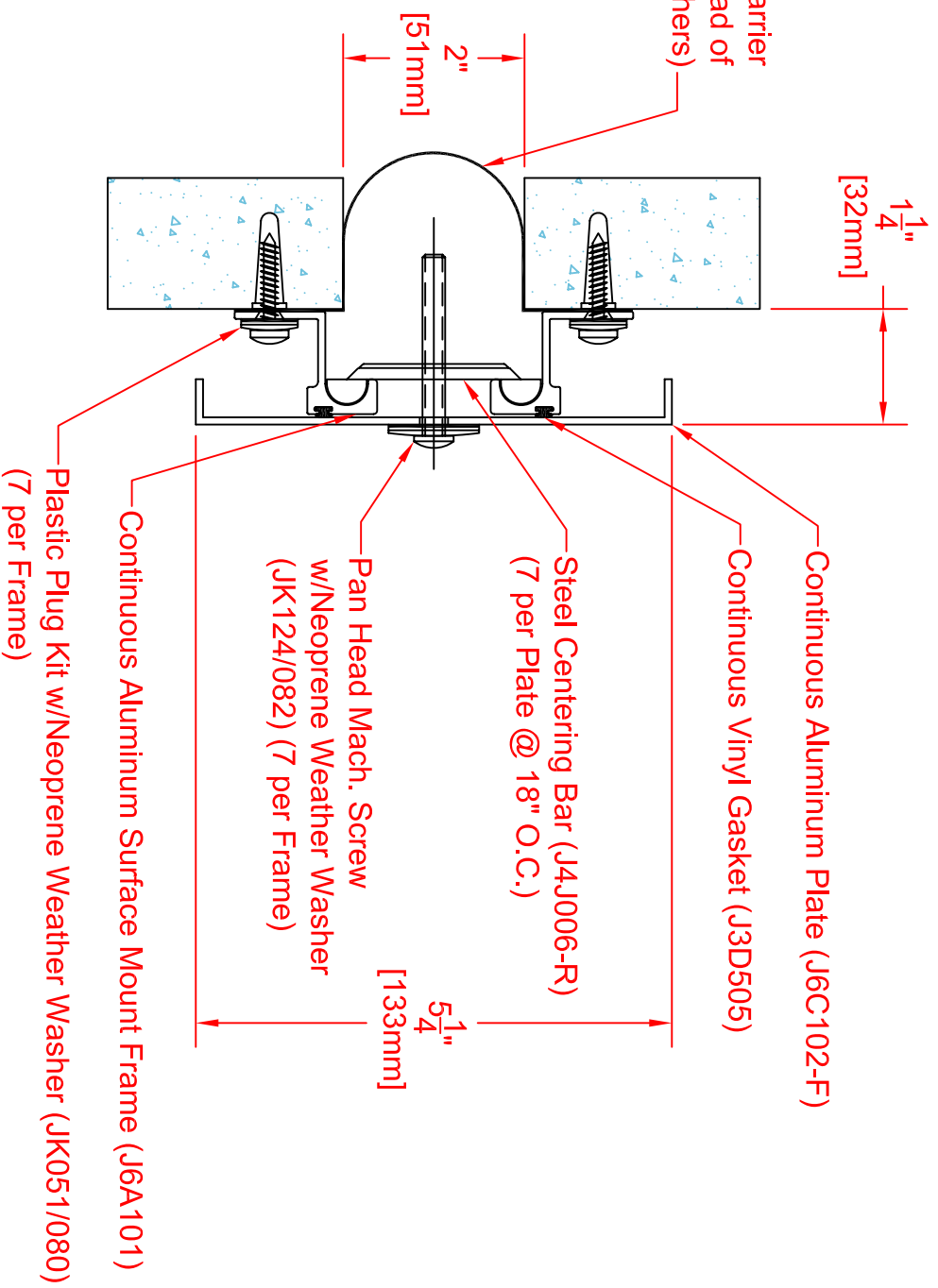
EPDM Sheet Vapor Barrier
NOTE: Set in Continuous Bead of
 Butyl/Rubber Caulk (by Others)



651-A07-025

Joint Width	Movement ±	
	Horizontal	Vertical
US	mm	mm
1"	25	1/2"
		13
		1/2"
		13

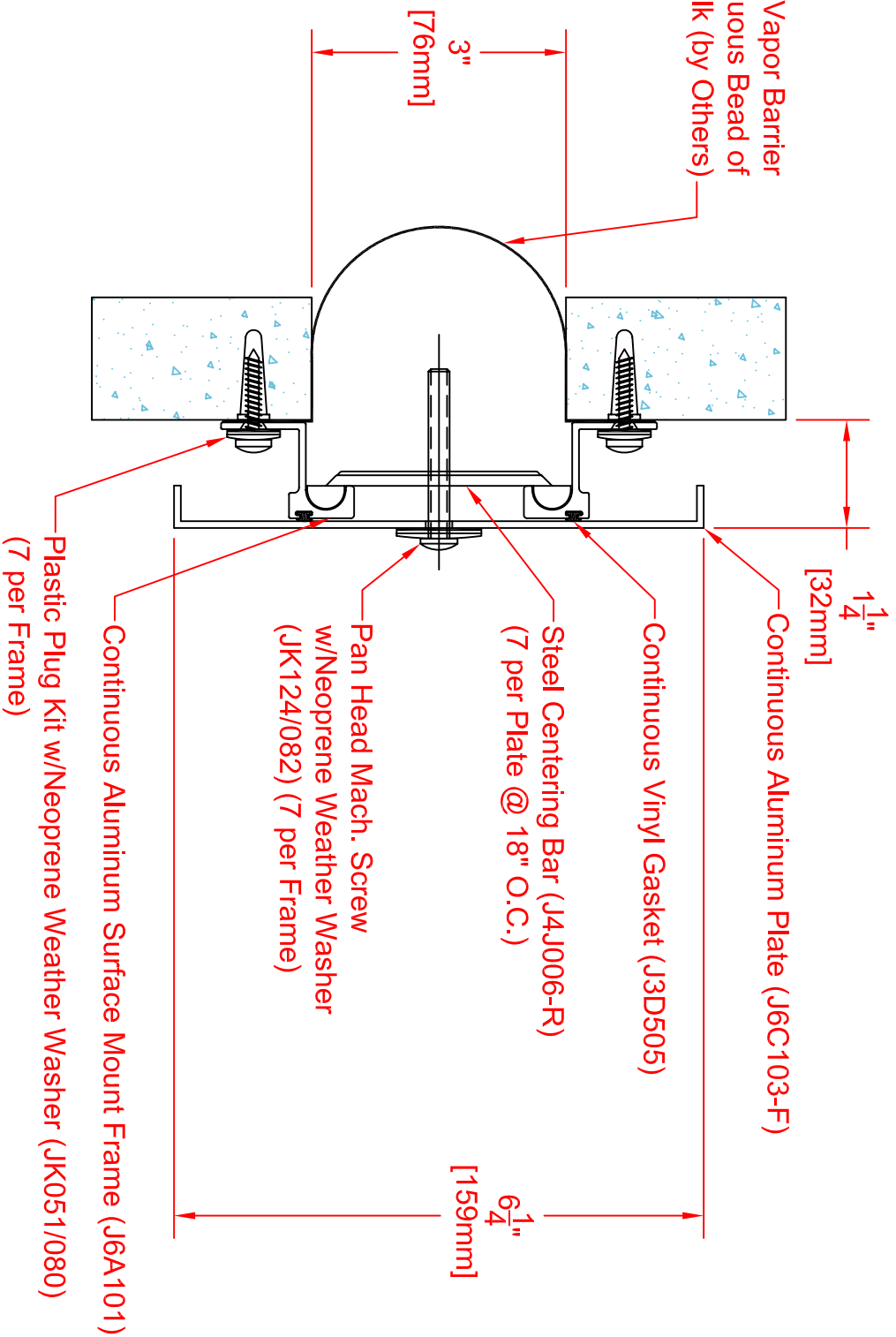
EPPDM Sheet Vapor Barrier
 NOTE: Set in Continuous Bead of
 Butyl/Rubber Caulk (by Others)



651-A07-050

Joint Width	Movement ±	
	Horizontal	Vertical
US mm	mm	mm
2"	1"	1"
51	25	25

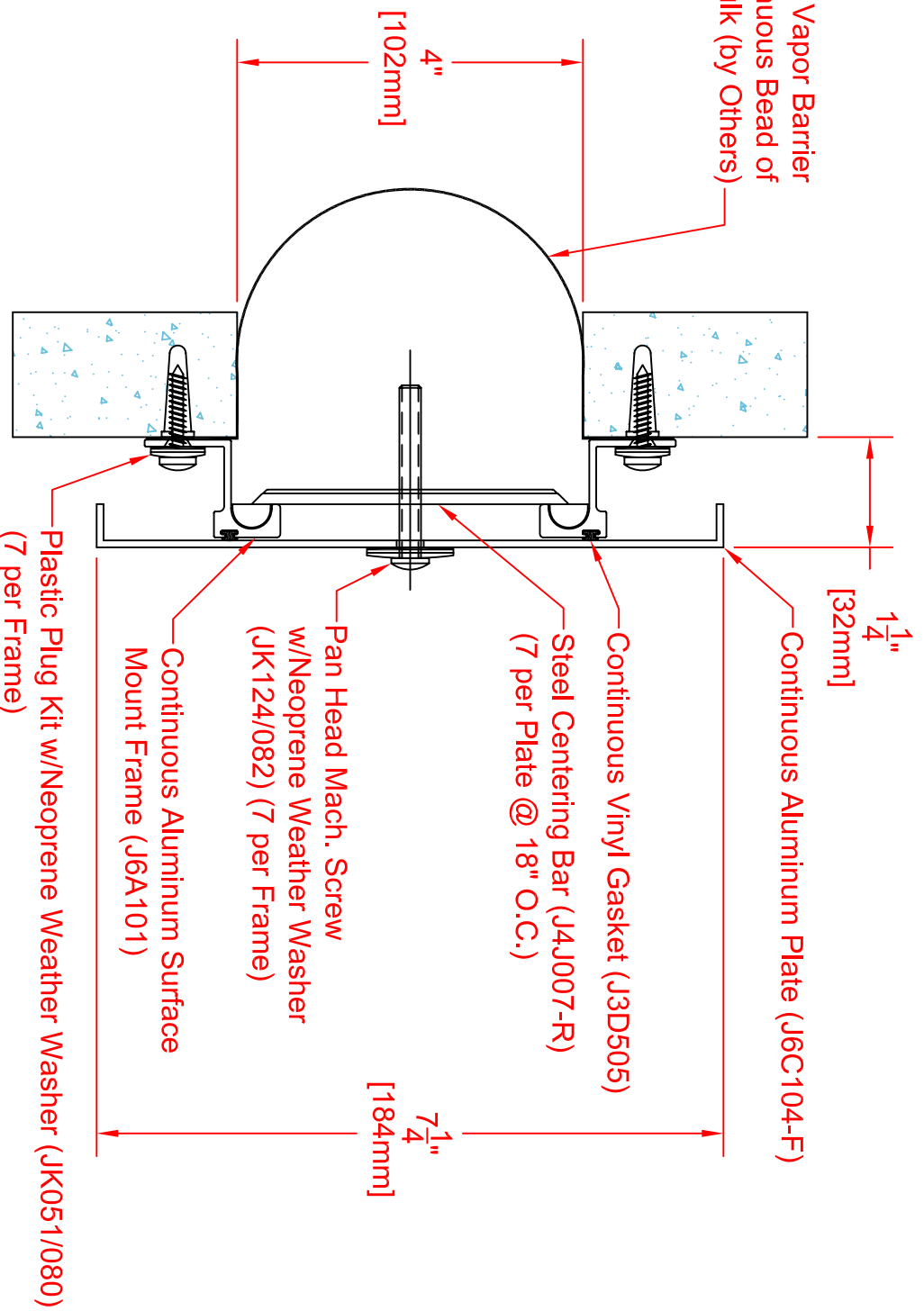
EPDM Sheet Vapor Barrier
NOTE: Set in Continuous Bead of Butyl/Rubber Caulk (by Others)



651-A07-075

Joint Width	Movement ±	
	Horizontal	Vertical
US	mm	mm
3"	76	1-1/2"
		38

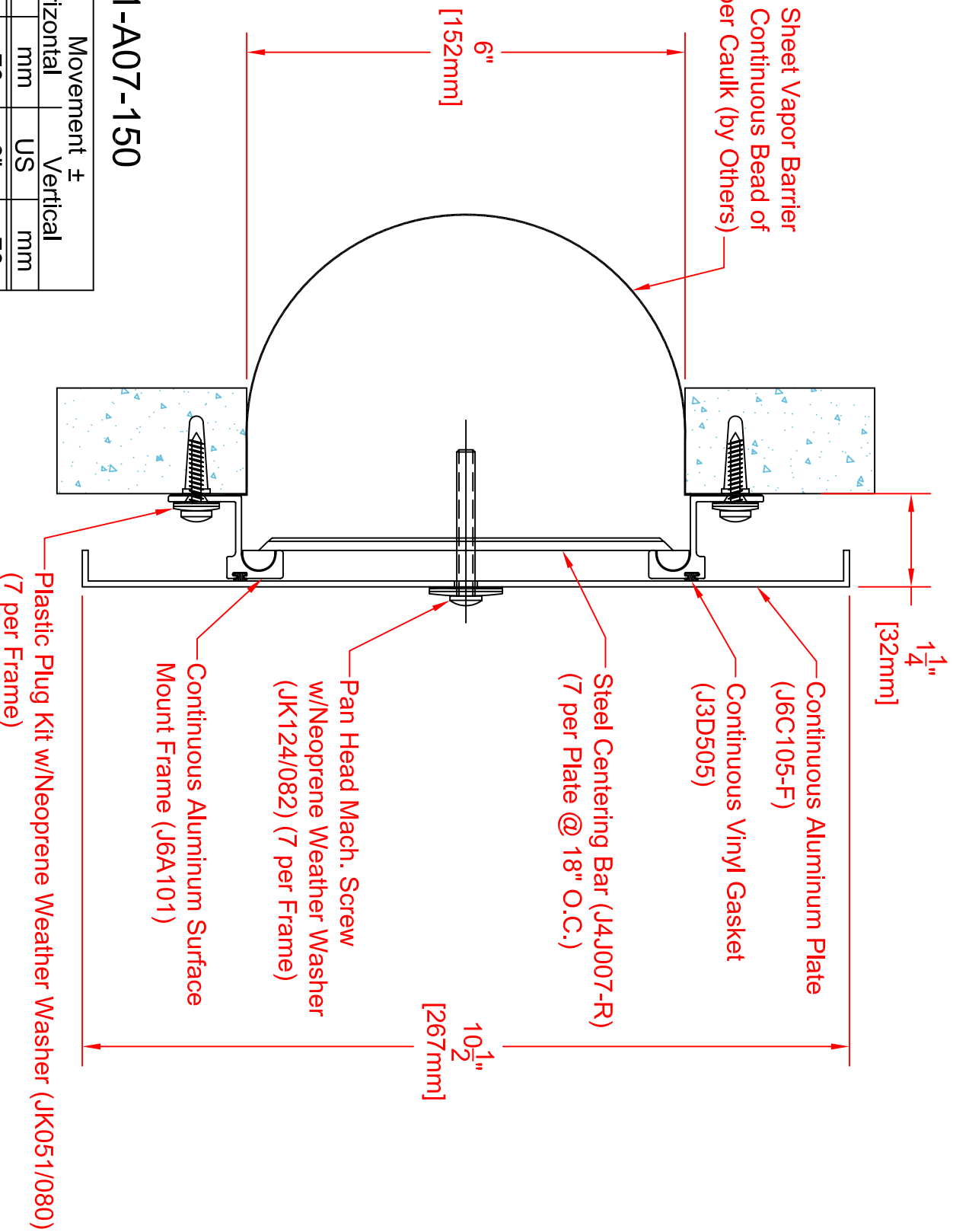
EPDM Sheet Vapor Barrier
 NOTE: Set in Continuous Bead of
 Butyl/Rubber Caulk (by Others)



651-A07-100

Joint Width	Movement ±	
	Horizontal	Vertical
US mm	US mm	US mm
4" 102	2" 51	2" 51

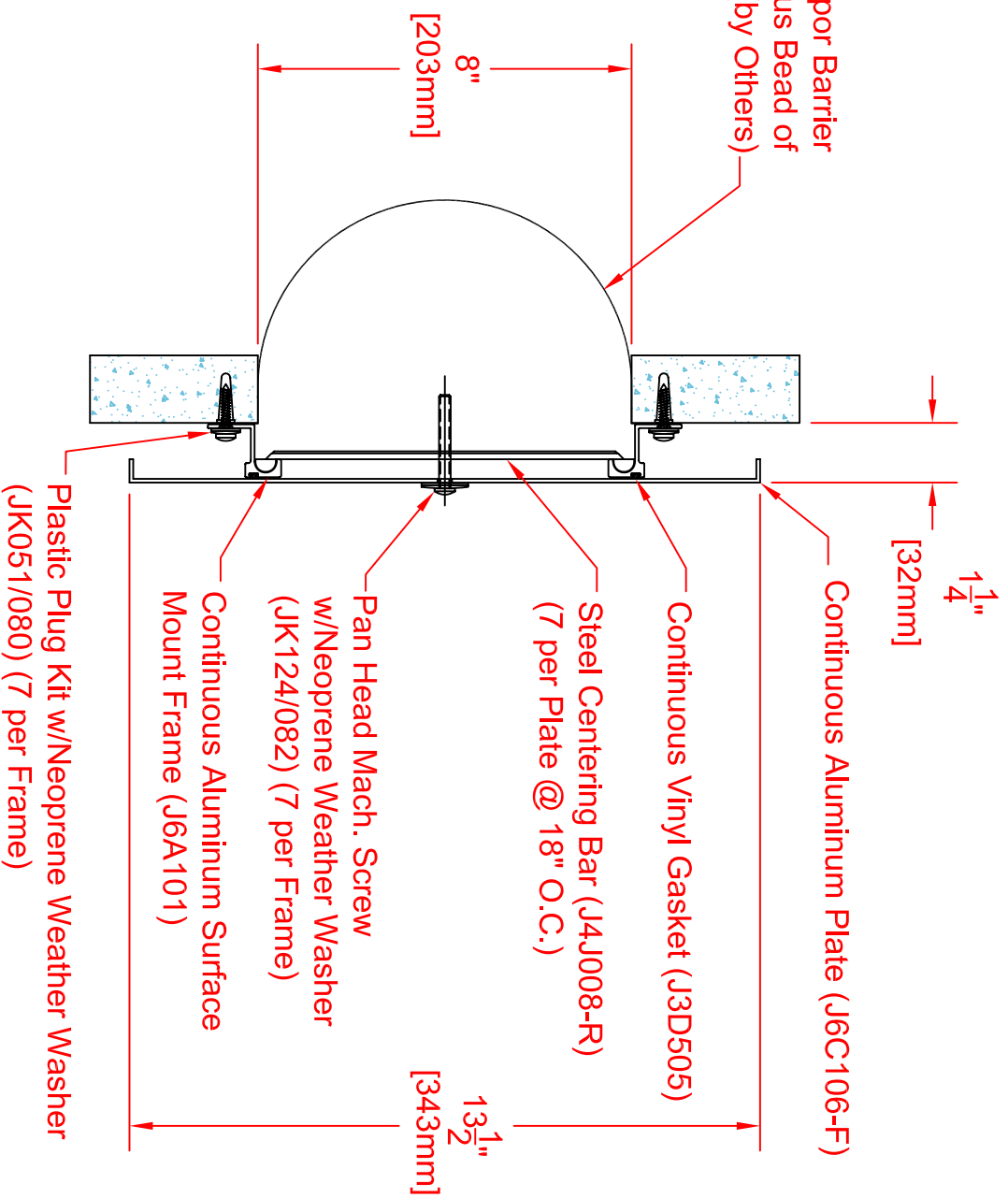
EPDM Sheet Vapor Barrier
NOTE: Set in Continuous Bead of
 Butyl/Rubber Caulk (by Others)



651-A07-150

Joint Width	Movement ±	
	Horizontal	Vertical
US mm	US mm	US mm
6"	3"	3"
152	76	76

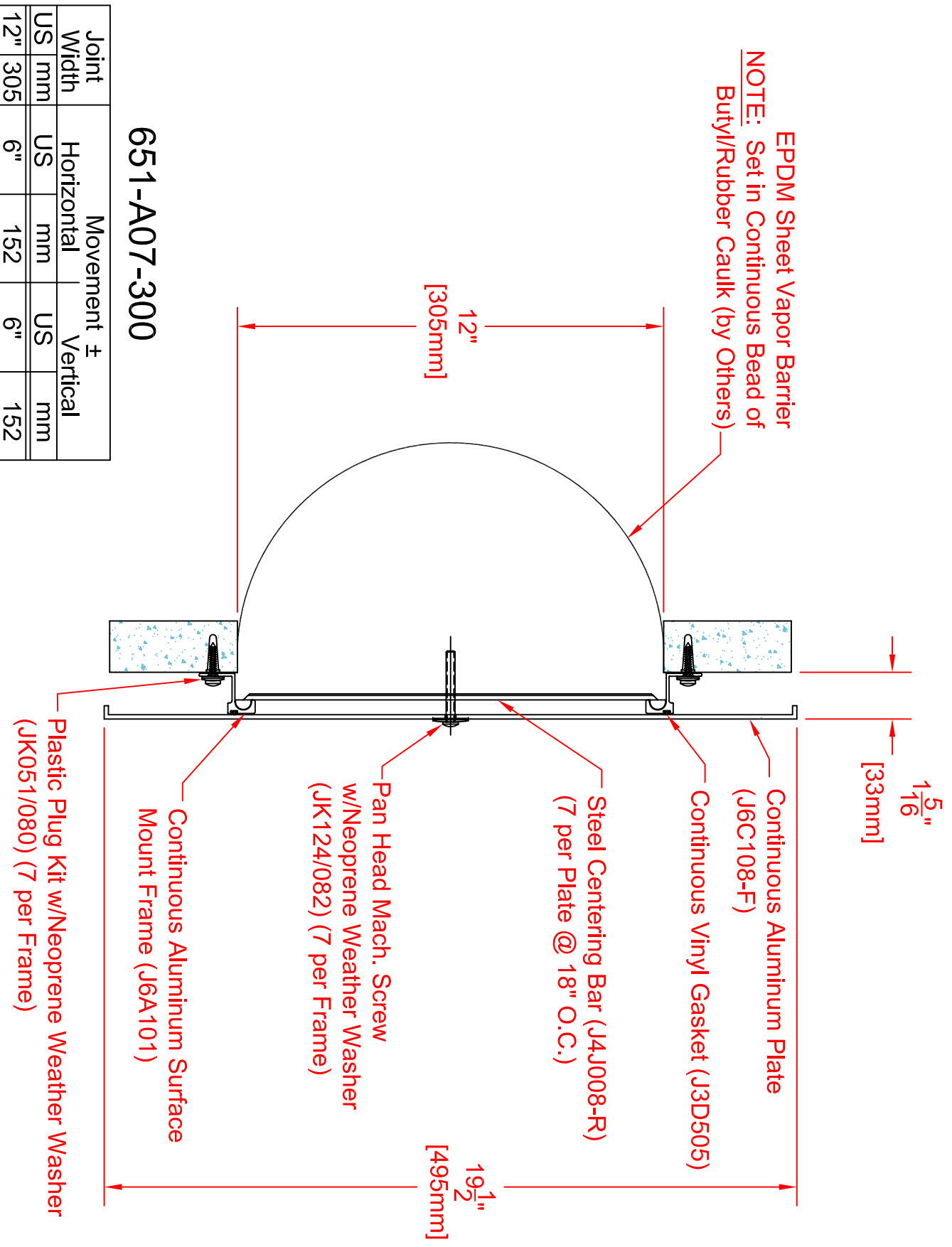
EPDM Sheet Vapor Barrier
NOTE: Set in Continuous Bead of
 Butyl/Rubber Caulk (by Others)



651-A07-200

Joint Width	Movement ±	
	Horizontal	Vertical
US 8"	US 4"	US 4"
mm 203	mm 102	mm 102

EPDM Sheet Vapor Barrier
NOTE: Set in Continuous Bead of Butyl/Rubber Caulk (by Others)



651-A07-300

Joint Width	Movement ±	
	Horizontal	Vertical
US mm	US mm	US mm
12" 305	6" 152	6" 152