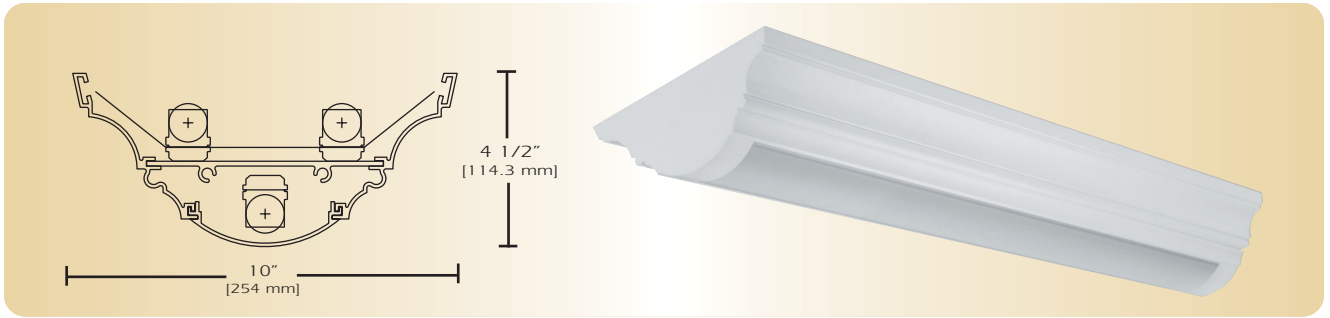


# Special Profiles

AD-103-DI



TYPE \_\_\_\_\_

FEATURES

The AD 103 DI is the suspended mounted variation of this complete family of luminaires. A smooth laser cut welded end finishes the graceful sculptured contour of the extruded aluminum profile. The AD 103 DI is furnished with an isolated task down light of clear extruded acrylic with linear ribs. The computer designed optical system creates a wide symmetric glare-free indirect distribution. These fixtures can be mounted individually, in continuous runs or patterns.

SPECIFICATIONS

- Housing:** Two piece heavy gauge extruded aluminum 6063T5 alloy welded construction forming a 4 1/2 " x 10 " scallop profile. Finished end caps are welded to housing with no exposed hardware or knockouts.
- Reflector:** Die formed 20-gauge cold rolled steel minimum 90% reflectivity finished in high gloss baked white enamel.
- Shielding:** Standard lens is extruded acrylic with linear ribs (ARL ) for efficient light distribution.
- Electrical:** Ballast is electronic, high power factor, thermally protected class P, sound rated A, with less than 20% total harmonic distortion. The minimum number of ballasts will be used unless otherwise specified.
- Mounting:** Standard Installation is an adjustable self-locking aircraft cable assembly 48" x 3/32" in diameter with 5" canopy. One 16/4 SJT straight 54" cord is provided per power feed. Standard pendants are available in 24" lengths. See Accessories for additional mounting.
- Finish:** Fixture housing and steel components are finished in baked white enamel applied over a five-stage pretreatment process.
- Lamps:** Fixtures are provided for use with three or four 32 watt T8 lamps or 54 watt T5 HO lamps. (Supplied by Others)
- Certification:** Luminaires are U. L. Listed, C. S. A. certified and are Union Made in the United States of America I.B.E.W.

ORDERING GUIDE

MODEL NO.	DIRECTION	SHIELDING	LAMPS	MOUNTING	LENGTH	FINISH	VOLTAGE	OPTIONS
<b>AD-103</b>	<b>DI</b>							
<b>AD-103</b>	<b>DI=</b> Direct/ Indirect	<b>ARL=</b> Acrylic Ribbed Lens	<b>332T8</b> <b>432T8</b> <b>354T5 HO</b> <b>454T5 HO</b>	<b>AC=</b> Cable <b>PC=</b> Pendant	<b>4=</b> ft <b>8=</b> ft	<b>W=</b> White <b>CC=</b> Custom Color	<b>120v</b> <b>277v</b>	<b>See Options Below</b>
			<b>O=</b> Other Specify	See Accessories	for other, please enter row length (eg. 48=48ft)			

Example: **AD-103-DI-ARL-332T8-AC-4-W-120V**  
 AD-103 direct/indirect with acrylic ribbed lens down and three 32 watt T8 lamps including two 48 inch aircraft cables and power feed four foot fixture finished in baked white enamel 120v electronic ballast less than 20% total harmonic distortion.

OPTIONS

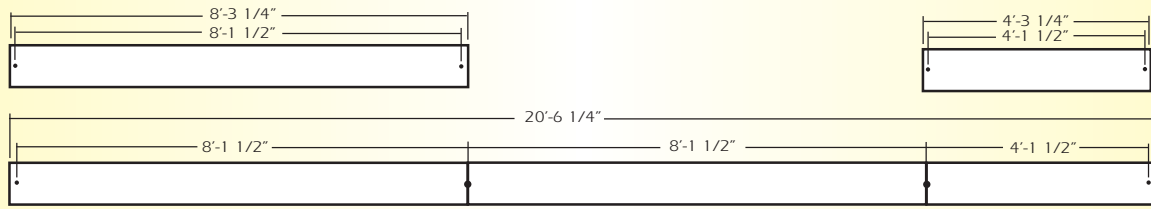
- E10=** Electronic ballast, high power factor, thermally protected class P, sound rated A, < 10% total harmonic distortion
- DIM=** Dimming Ballast
- EPC=** Emergency Battery Pack
- EMC=** Emergency Circuit
- TCW=** Two Circuit Wiring
- TDW=** Tandem Wiring
- OTH=** See Accessories for other options available

# Special Profiles

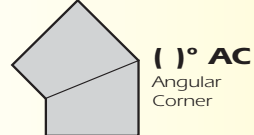
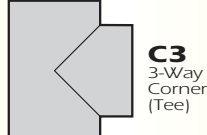
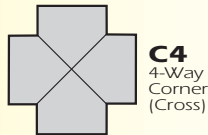
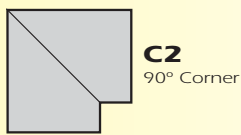
AD-103-DI

LINEAR SECTIONS AND SUSPENSION LOCATION

## SUSPENSION MOUNTING



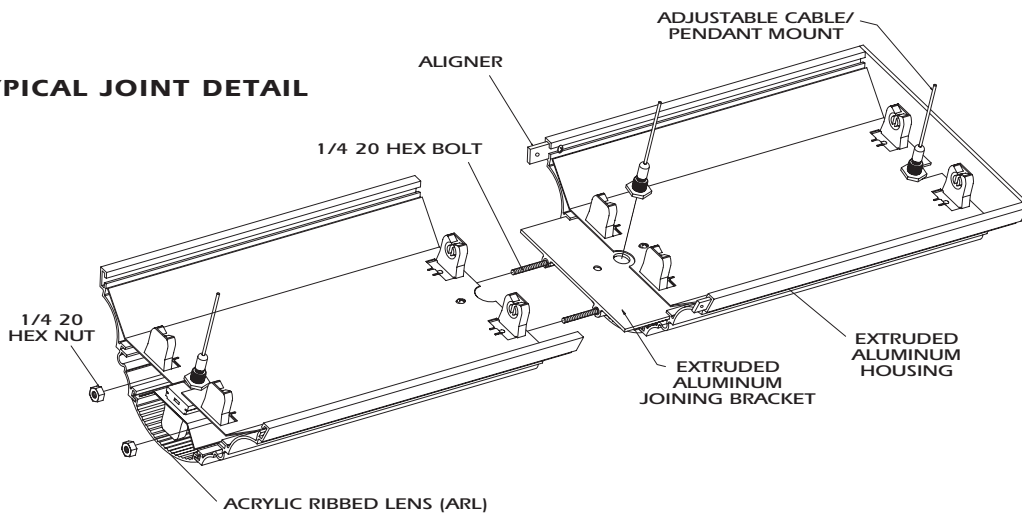
**CORNERS** Corners and fixture extensions are custom fabricated to precise dimensions. Please indicate the specific requirements on the layout



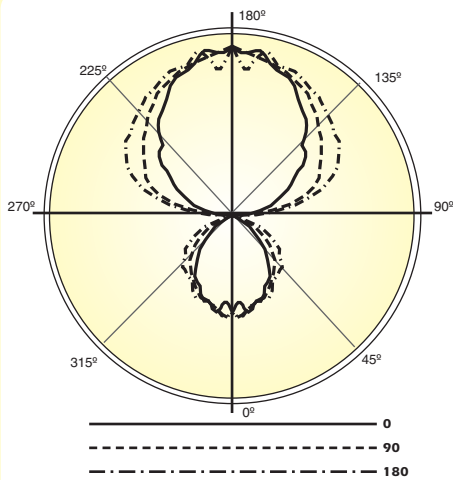
For any angular corner, ( )° must be specified and dimensions must be included on the layout  
For any pattern, a layout must accompany the order.

INSTALLATION PREPARATION

## TYPICAL JOINT DETAIL



PHOTOMETRY



LAMP (3) 32W T8  
LUMENS: 2900 PER LAMP

### Candela Distribution:

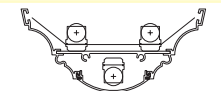
Vert. Angle	0	22.5	45	67.5	90
0	821	821	821	821	821
10	825	784	787	804	770
20	750	762	734	740	722
30	633	634	641	674	655
40	462	492	539	587	589
50	291	329	410	477	485
60	144	178	271	341	386
70	87.6	88.6	132	197	215
80	33.3	46.7	63.0	92.9	112
90	17.7	41.8	65.9	99.3	115
100	264	364	439	462	452
110	418	539	740	822	852
120	591	716	848	973	1019
130	811	851	982	1087	1106
140	983	1007	1109	1155	1184
150	1119	1171	1231	1257	1257
160	1275	1276	1280	1273	1307
170	1400	1310	1340	1291	1395
180	1419	1419	1419	1419	1419

Optical Distribution:  
71% Indirect: 29% Direct

### Coefficients of Utilization - Zonal Cavity Method:

pfc = 0.20

pcc	.8	.7	.5	.3	.1	0
pw	.7 .5 .3 .1	.7 .5 .3 .1	.5 .3 .1	.5 .3 .1	.5 .3 .1	0
RCR	0 82 82 82 82	73 73 73 73	57 57 57	43 43 43	29 29 29	23
1	75 71 68 66	67 64 61 59	50 48 47	37 36 35	26 25 24	19
2	68 62 58 54	61 56 52 48	44 41 39	33 31 29	23 21 21	16
3	62 55 49 45	55 49 44 40	39 35 33	29 27 25	20 19 18	14
4	57 48 42 38	50 43 38 34	34 31 28	26 23 21	18 16 15	12
5	52 43 37 32	46 39 33 29	31 27 24	23 20 18	16 14 13	10
6	48 38 32 28	43 35 29 25	27 23 21	21 18 16	14 13 11	9
7	44 34 28 24	39 31 26 22	25 21 18	19 16 14	13 11 10	8
8	41 31 25 21	36 28 23 19	22 19 16	17 14 12	12 10 9	7
9	38 28 22 19	34 26 20 17	20 17 14	16 13 11	11 9 8	6
10	35 26 20 16	31 23 18 15	19 15 12	14 12 10	10 8 7	6



Total Luminaire Optical Efficiency = 80.6%