

Installation Instructions

Joint System: 804-A01/A02/A07/A09

Note: Verify that the structural gap is in conformance with submittal data before beginning installation. If this is a Fire Rated Assembly, install the fire barrier before the Architectural Joint System. Refer to the fire barrier instructions for specific system installation.

FIG. 1 (804-A01 FLOOR TO FLOOR SHOWN)

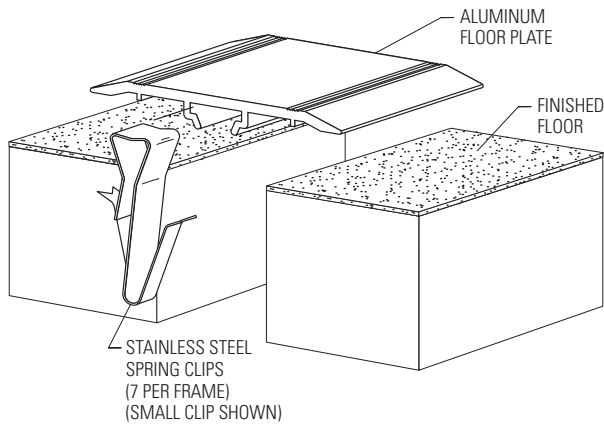
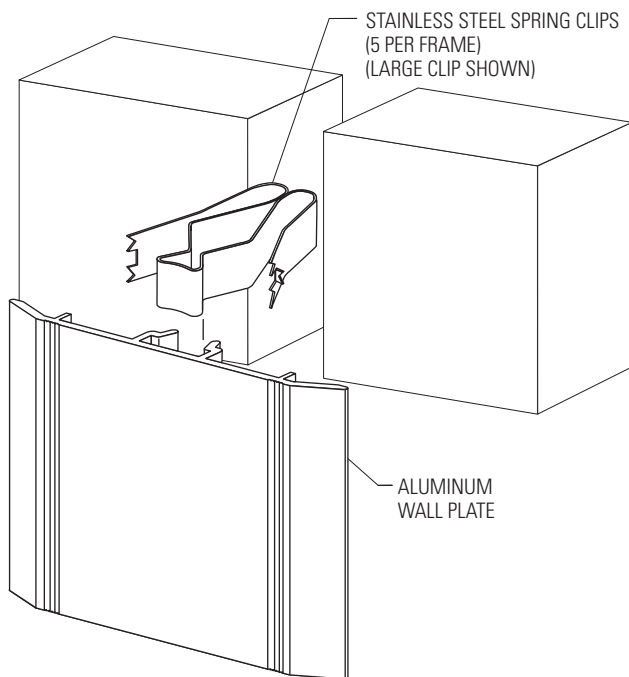


FIG. 1A (804-A07 WALL TO WALL SHOWN)



1. Install the architectural joint system on a level finished floor or wall surface. This may require adding leveling compound on top of the substrate to provide a smooth mounting surface.

Figure 1

2. Cut the aluminum components to the desired length.
3. The aluminum plates are extruded with a dovetail shaped channel on the underside for mounting of the spring clips. For 1" (25mm) joint widths, use J8J301 small spring clips. For 1 1/2" (38mm) and 2" (50mm) joint widths, use J8J302 large spring clips.

- 3a.** For floor to floor (A01) and floor to wall (A02) conditions, use 7 spring clips per length.

- 3b.** For wall to wall (A07) and wall to corner (A09) conditions, use 5 spring clips per length (see Figure 1a).



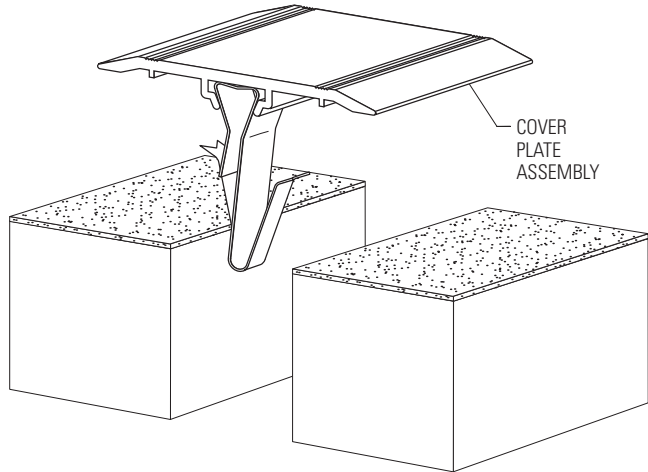
Installation Questions?

Contact our Installation Hotline 866.EZINPRO
For Sales & Customer Service call 800.222.5556

Installation Instructions

Joint System: 804-A01/A02/A07/A09

FIG. 2



4. Firmly squeeze the top of the spring clip and slide down the channel to desired location.

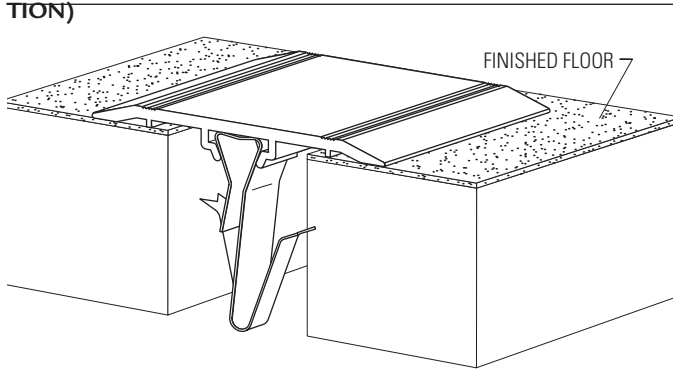
Figure 2

5. Place the cover plate assembly over the structural gap with the spring clips facing into the joint opening. Press down firmly until the cover plate is located flat against the floor or wall surface.

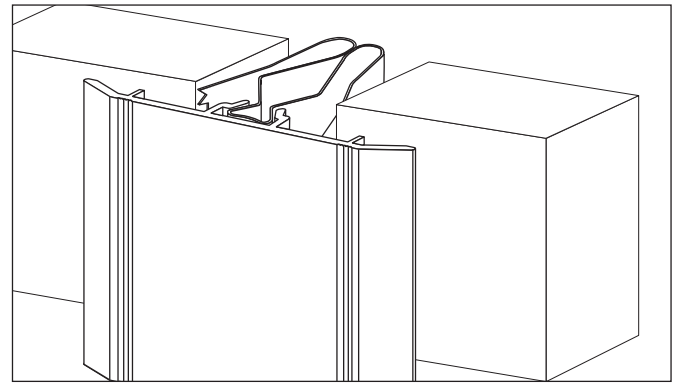
Figure 3

6. Clean the exposed surfaces with a non-solvent cleaner, such as 409, as required.

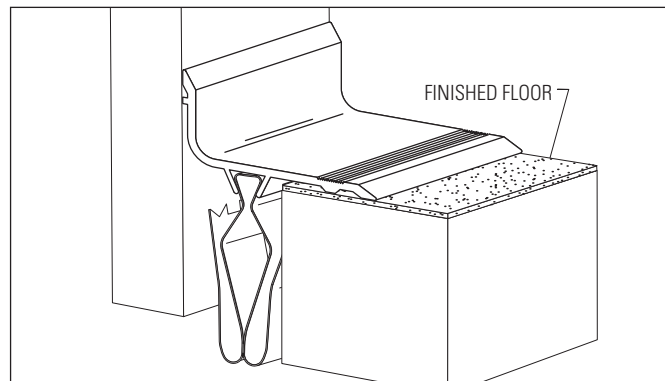
FIG.3 (804-A01 FLOOR TO FLOOR COMPLETED INSTALLATION)



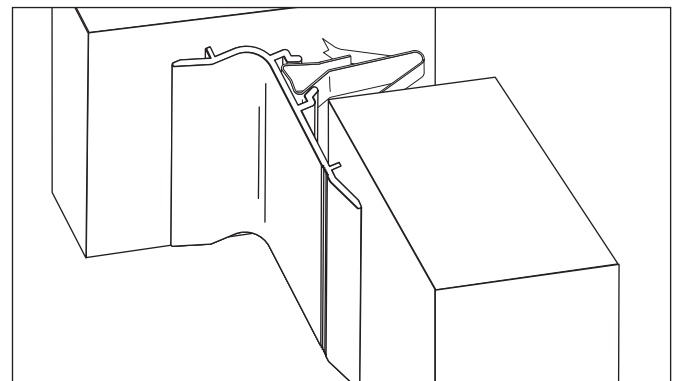
(804-A07 WALL TO WALL COMPLETED INSTALLATION)



(804-A02 FLOOR TO WALL COMPLETED INSTALLATION)



(804-A09 WALL TO CORNER COMPLETED INSTALLATION)



Installation Questions?

Contact our Installation Hotline 866.EZINPRO
For Sales & Customer Service call 800.222.5556