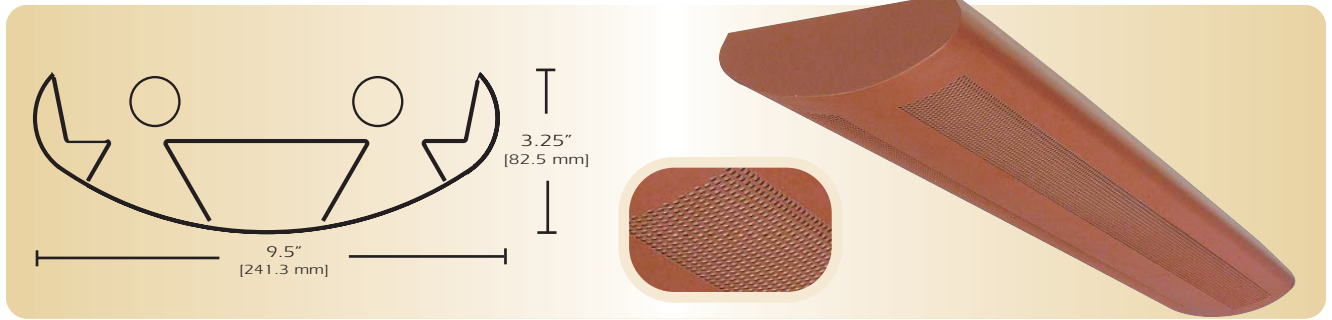


# Generation Series 1

G1-DI-3



TYPE \_\_\_\_\_

## FEATURES

The G1-DI-3 is one variation of a complete family of suspended linear fluorescent luminaires. The G1-DI-3 is a direct/indirect version of the family of luminaires. The computer designed optical system creates a widespread indirect distribution while the variety of direct components provides contrast. The low profile and modern design provide excellent efficiency and styling where high performance and uniform lighting are required.

## SPECIFICATIONS

**Housing:** One piece die formed 20-gauge cold rolled steel welded construction forming a 9.50" x 3.25" rounded profile. Continuous perforated sections are 1/16" diameter x 3/32" straight centers with white .020 translucent overlay. Finished end caps are laser cut 16-gauge cold rolled steel, with no exposed hardware or knockouts. Aligner brackets are provided to eliminate light leaks and for precision alignment of continuous rows.

**Reflector:** Die formed 20-gauge cold rolled steel minimum 90% reflectivity finished in high gloss baked white enamel with die formed .025 specular anodized aluminum side reflectors.

**Electrical:** Ballast is electronic, high power factor, thermally protected class P, sound rated A, with less than 20% total harmonic distortion. The minimum number of ballasts will be used unless otherwise specified.

**Mounting:** Standard Installation is an adjustable self-locking aircraft cable assembly 48" x 3/32" in diameter with 5" canopy. One 16/4 SJT straight 54" cord is supplied with each power feed. Standard pendants are available in 24" lengths. See Accessories for additional mounting.

**Finish:** Fixture housing and steel components are finished in baked white enamel applied over a five-stage pretreatment process.

**Lamps:** Fixtures are provided for use with one, two or three 32 watt T8 lamps or 54 watt T5 HO lamps. (Supplied by Others)

**Certification:** Luminaires are U. L. Listed, C. S. A. certified and are Union Made in the United States of America I.B.E.W.

## ORDERING GUIDE

MODEL NO.	DIRECTION	SHIELDING	LAMPS	MOUNTING	LENGTH	FINISH	VOLTAGE	OPTIONS
<b>G1</b>	- <b>DI</b>	- <b>3</b>	-	-	-	-	-	-
<b>G1</b>	<b>DI</b> = Direct/Indirect	<b>3</b> =Perforated Continuous	<b>132T8</b> <b>232T8</b> <b>332T8</b> <b>154T5 HO</b> <b>254T5 HO</b> <b>354T5 HO</b> <b>O</b> =Other Specify	<b>AC</b> = Cable <b>PD</b> = Pendant  See Accessories	<b>4</b> = 4 ft <b>8</b> = 8 ft <b>12</b> = 12 ft  for other, please enter row length (eg. 48=48ft)	<b>W</b> = White <b>CC</b> = Custom Color	<b>120v</b> <b>277v</b>	<b>See Options Below</b>

Example: **G1-DI-3-232T8-AC-4-W-277V**

Generation One with perforated continuous pattern with opal overlay for two 32 watt T8 lamps with two 48 inch aircraft cables and power feed four foot fixture finished in baked white enamel with 277v electronic ballast less than 20% total harmonic distortion.

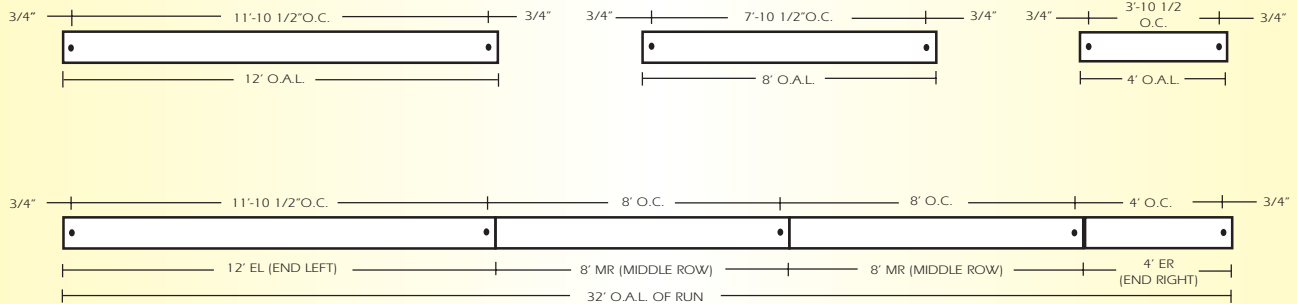
## OPTIONS

- E10=** Electronic ballast, high power factor, thermally protected class P, sound rated A, < 10% total harmonic distortion
- DIM=** Dimming Ballast
- EPC=** Emergency Battery Pack
- EMC=** Emergency Circuit
- TCW=** Two Circuit Wiring
- TDW=** Tandem Wiring
- QCW=** Quick Connect Wiring
- OTH=** See Accessories for other options available

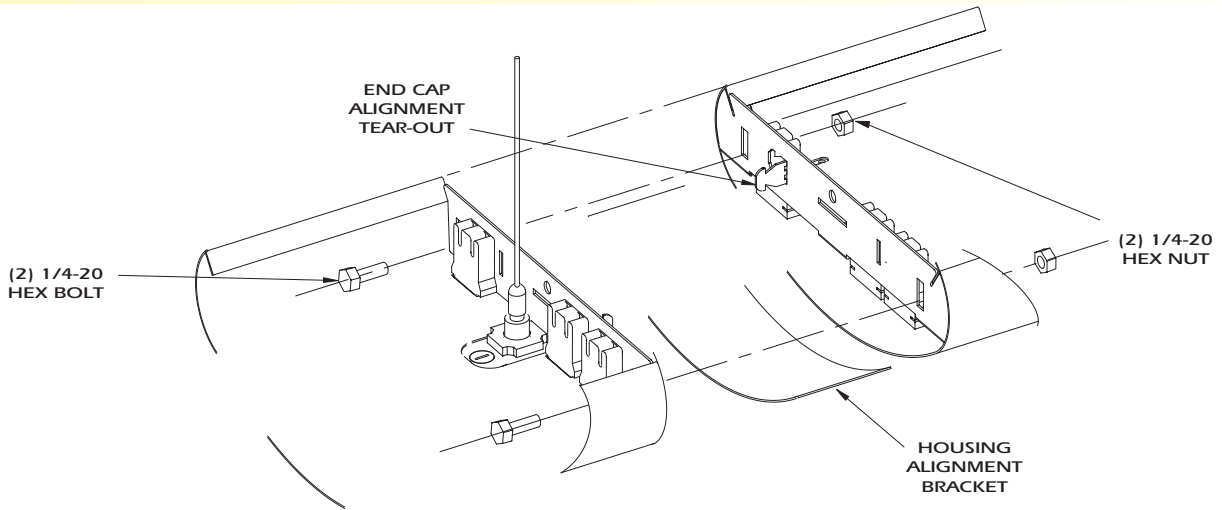
# Generation Series 1

G1-DI-3

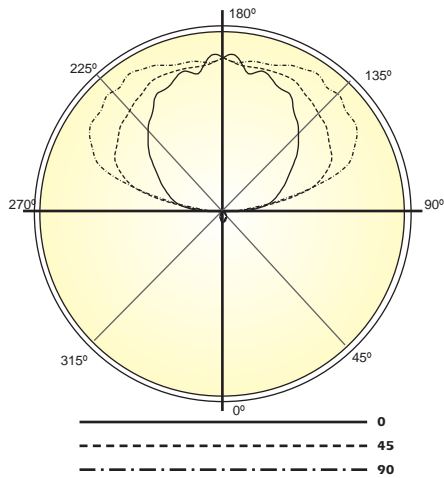
LINEAR SECTIONS AND SUSPENSION LOCATION



INSTALLATION PREPARATION



PHOTOMETRY



LAMP (2) 32W T8  
LUMENS: 2900 PER LAMP

Candela Distribution:

Vert. Angle	0	22.5	45	67.5	90
0	84	84	84	84	84
5	85	62	70	70	67
15	65	67	59	49	54
25	55	49	41	37	48
35	39	35	30	34	31
45	30	20	22	19	17
55	15	14	12	12	13
65	8	8	7	8	8
75	14	8	7	4	4
85	44	29	14	5	1
95	194	234	166	126	118
105	291	511	690	703	669
115	437	626	877	1019	1081
125	588	709	957	1099	1191
135	730	815	1002	1157	1212
145	866	934	1026	1179	1213
155	962	1008	1088	1166	1172
165	1050	1069	1071	1113	1106
175	1125	1106	1091	1048	1147
180	1120	1120	1120	1120	1120

Optical Distribution:  
97% Indirect: 3% Direct

Coefficients of Utilization - Zonal Cavity Method:

pfc = 0.20

	.8	.7	.5	.3	.1	0												
pcc	.8	.7	.5	.3	.1	0												
pw	.7	.5	.3	.1	.5	.3	.1	.5	.3	.1	0							
RCR																		
0	81	81	81	81	69	69	69	69	48	48	48	28	28	28	10	10	10	2
1	73	70	67	64	63	60	57	55	41	40	39	24	24	23	9	8	8	1
2	67	61	56	52	57	52	48	45	36	34	32	21	20	19	8	7	7	1
3	61	53	48	43	52	46	41	37	32	29	27	19	17	16	7	6	6	1
4	55	47	41	36	47	40	35	31	28	25	22	17	15	13	6	5	5	1
5	50	41	35	31	43	36	31	27	25	22	19	15	13	11	5	5	4	0
6	46	37	31	26	39	32	27	23	22	19	16	13	11	10	5	4	4	0
7	43	33	27	23	36	28	23	20	20	16	14	12	10	8	4	4	3	0
8	39	30	24	20	33	26	21	17	18	15	12	11	9	7	4	3	3	0
9	36	27	21	17	31	23	18	15	16	13	11	10	8	6	3	3	2	0
10	34	24	19	15	29	21	16	13	15	12	9	9	7	6	3	2	2	0



Total Luminaire Optical Efficiency = 84.5%