

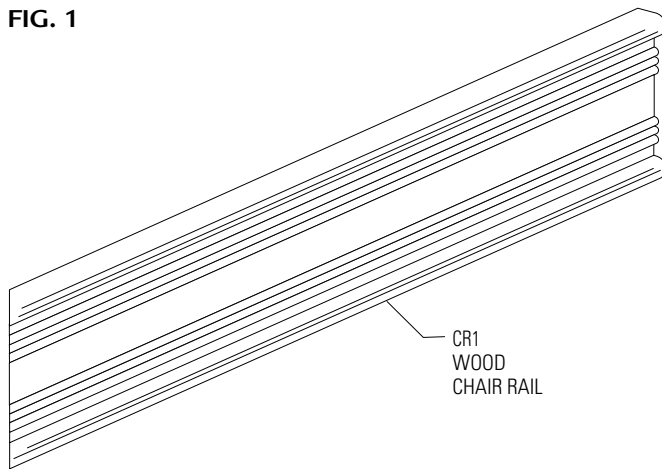
Installation Instructions

CR1 Wood Chair Rail - Stock Length

Please read all instructions before installing.

Material must be stored, installed and used in environmentally controlled conditions.

FIG. 1



Wood is a natural material, therefore component color may vary. Sort the parts by color (light to dark) before use. Install product in environmentally controlled conditions. Acclimate the chair rail to room temperature 24 hours before installation. When storing straight lengths of material, lay product flat on supported surface. Do not lean the rails or lay them on unsupported parallel saw horses. Installers should be familiar with the installation of fine finished wood products.

Installers should be familiar with the installation of fine finished wood products.

Recommended tools: tape measure, level, chalk line, power drill, power nailer, drill bits, socket or hex drive set, and a Phillips head screwdriver.

NOTE: For pre-assembled chair rail, chair rail ships in pre-cut lengths with ends pre-assembled. If outside and inside corners are required, an extra 4" of rail is included to miter cut, glue and pin nail these corners. All boxes and components are marked to coincide with the floor plan drawings. Layout and identify the components needed for each section to be installed.

FIG. 2a

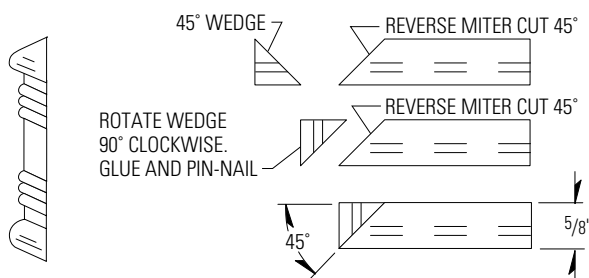


FIG. 2b

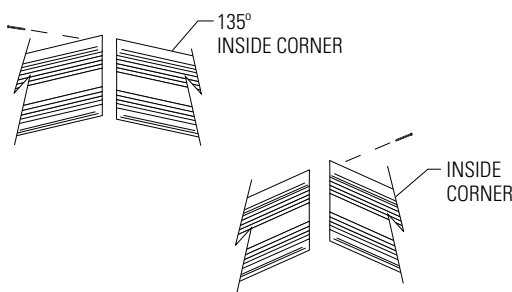
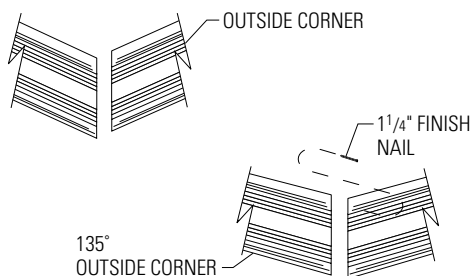


FIG. 2c



1. Snap a chalk line at the required height. Cut rail, if necessary, to required length allowing 5/8" (16mm) for outside corners. See Figure 1.

2. Inside corners, outside corner and end conditions:

a. End Conditions (stock length chair rail only): to finish an end condition a reverse miter cut is recommended. Cut a reverse 45° angle on the rail length. Cut a 45° wedge from a straight rail length. Glue and pin nail this wedge to the reverse angle on the rail length. See Figure 2a.

b. Inside and outside corners: miter cut the rail in the proper direction.

For inside corners, before mounting them to the wall, join the two miter cut pieces of rail, apply glue to the mating surfaces and pin nail the two pieces together with three 1 1/4" finish nails. Wipe off excess glue with damp cloth. See Figure 2b.

For outside corners, attach one section to wall, (see steps 3 and 4 for installation). Apply glue to the mating surface and pin nail the two pieces together with three 1 1/4" finish nails. Wipe off excess glue with damp cloth. See Figure 2c.

IPC.310/REV.3



Installation Questions?

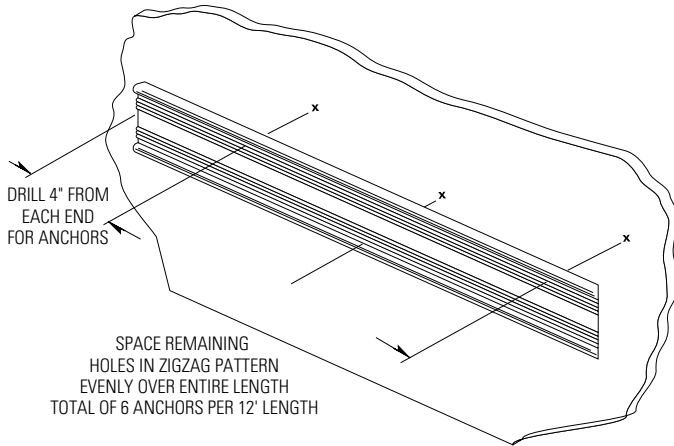
Contact our Installation Hotline 866.EZINPRO
For Sales & Customer Service call 800.222.5556

IPRO
IPC Interior Protection Products
and Decorative Surfaces

Installation Instructions

CR1 Wood Chair Rail

FIG. 3



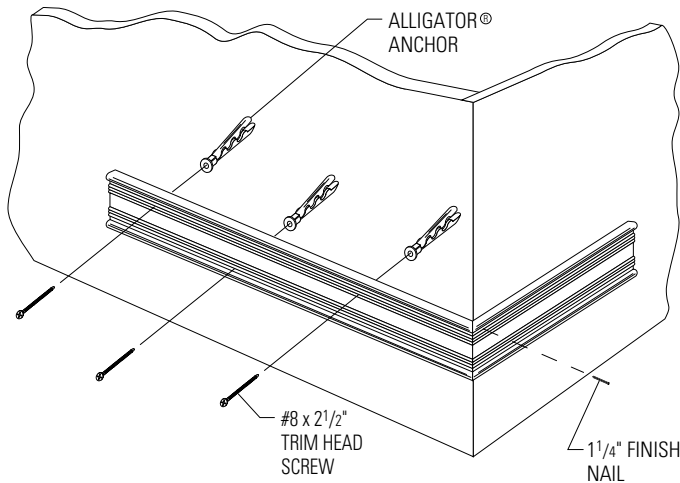
3. Drill 1/8" (3mm) holes in a zigzag pattern. Position chair rail on wall. Level and mark holes. See Figure 3.
4. Drill marked holes on wall using a 1/4" drill bit and position Alligator anchors into holes. Mount chair rail on wall and tighten screws to secure. Drive the screw so the head is below the surface of the wood. See Figure 4.

NOTE: If drilling into a masonry wall, drill deep enough for a 2 1/4" (57mm) fastener.

NOTE: Join longer sections of rail on the wall with a butt joint. Install fasteners, 4" (101mm) on either side of the joint.

5. Fill any holes in the wood with the putty from the touch up kit. Clean up any wood glue with a damp cloth. Remove any surplus materials and debris upon completion of the installation.

FIG. 4



Installation Questions?

Contact our Installation Hotline 866.EZINPRO
For Sales & Customer Service call 800.222.5556

INPRO CORPORATION
Interior and Exterior Architectural Products