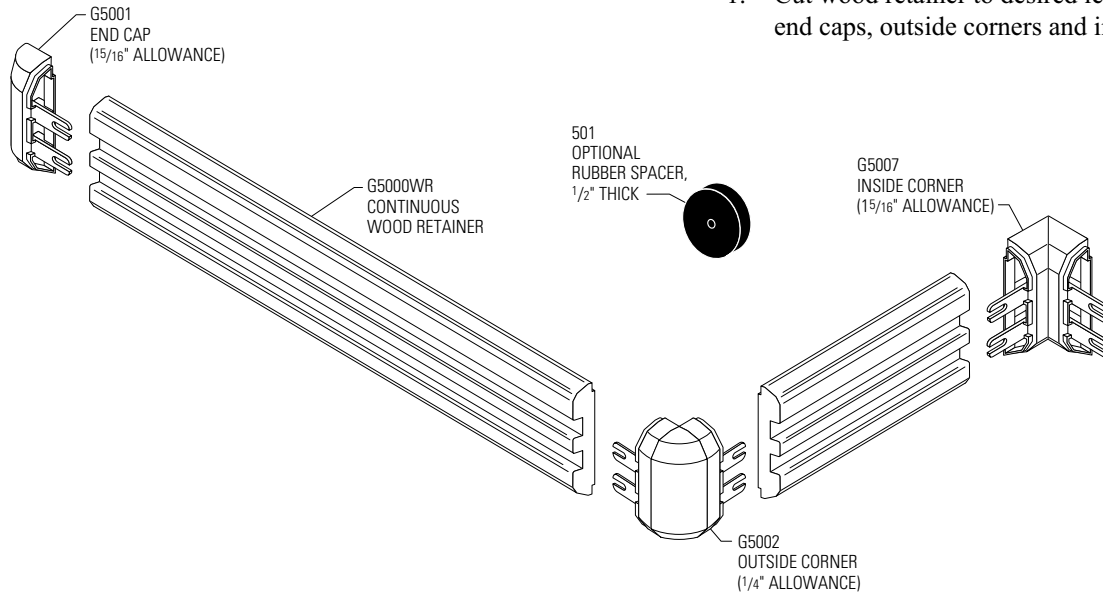


Installation Instructions

G5000 Wall Guard

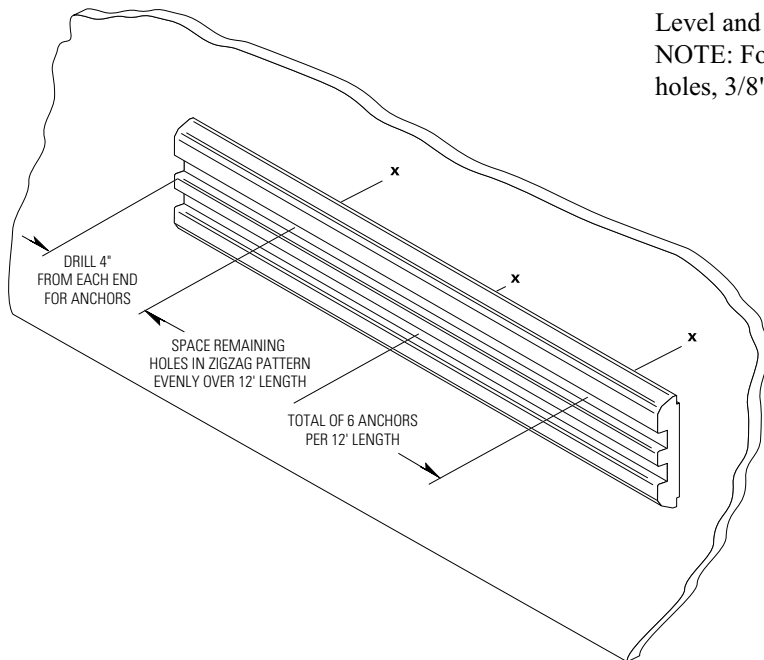
FIG. 1



Please read all instructions before installing wall guard.

1. Cut wood retainer to desired length, leaving allowance for end caps, outside corners and inside corners. See Figure 1.

FIG. 2

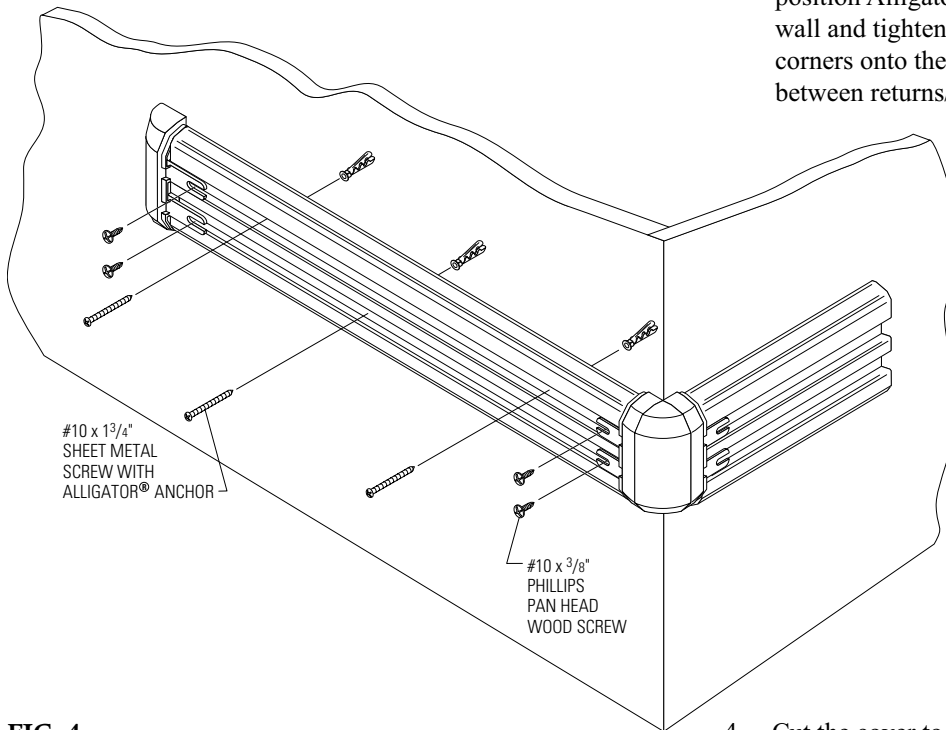


2. Drill holes in centerline of the mounting grooves of the retainer using 5/16" drill bit in a zigzag pattern. Position retainer on wall allowing for end caps/corners. Level and mark holes. See Figure 2.
NOTE: For concrete or brick wall installation, drill 1/4" holes, 3/8" from each end of retainer for end caps/corners.

Installation Instructions

G5000 Wall Guard

FIG. 3

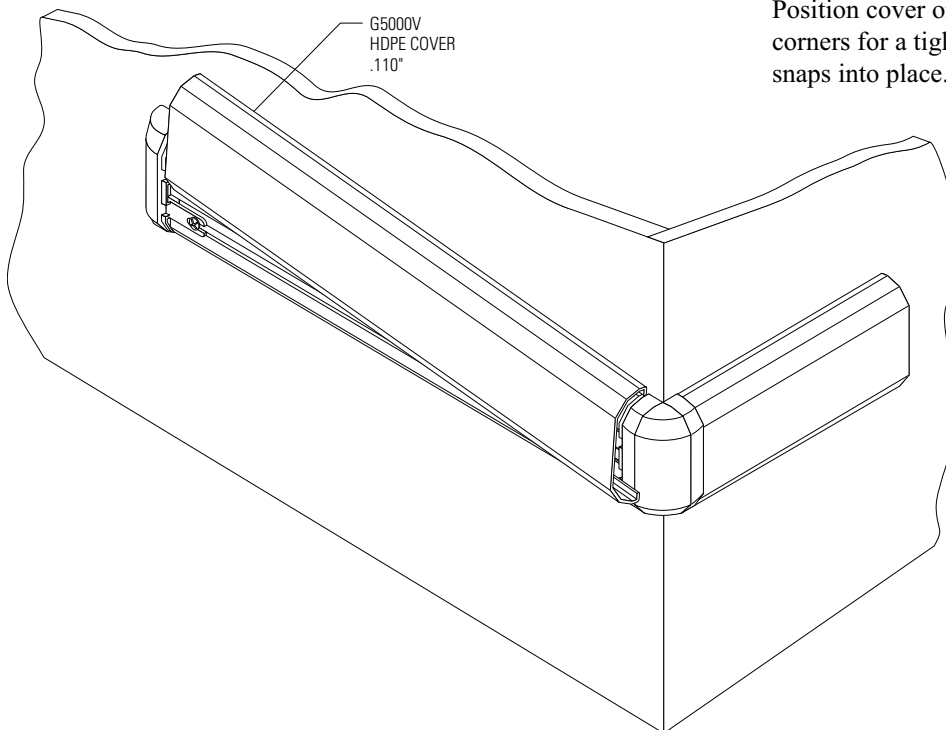


3. Drill marked holes on wall using a 1/4" drill bit and position Alligator anchors into holes. Mount retainer on wall and tighten screws to secure. Slide end caps and corners onto the retainer and secure, leaving a 1/16" gap between returns/corners and retainer to allow for adjustment. See Figure 3.

NOTE: For concrete or brick wall installation, use Alligator anchors and 1 1/4" self tapping screws to secure retainer to the wall.

NOTE: If rubber spacers are used, attach them behind the retainer at all mounting hole locations, including those for end caps and corners.

FIG. 4



4. Cut the cover to length between end caps and/or corners. (Note: Trim factory edges square before installation). Position cover on retainer and adjust returns and/or corners for a tight fit. Push cover over the retainer until it snaps into place. See Figure 4.