

Prism[®], Illusion[™] & Lippert[®] Under Mount Sink

FIG.1

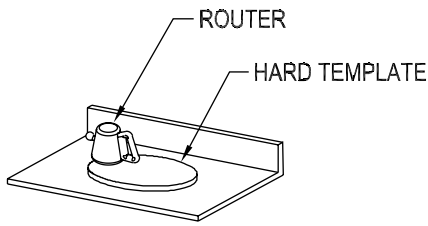


FIG.2



1. Choose the correct template for your sink. Transfer the template to plywood or masonite to create a hard template. Cut out the plywood or masonite allowing for your saw blade or router bit width. A smooth accurate template is required for a proper fit.
2. Cutout Position - A suggested location for the cutout is centered front to back allowing for faucets. Customer preference may change location.
3. Cut opening with a router bit using the template as a guide. See Figure 1.
4. Basin Installation - Clean flange with denatured alcohol. Apply a bead of silicone around the flange. See Figure 2.
5. Position basin under the countertop, centering it under the cutout. See Figure 2.
6. Attach the basin with screws and clips, tightening them securely but not too tight. Remove excess sealant with denatured alcohol. See Figure 3.
7. Cut holes in the vanity top for faucet. See Figure 4.
8. Attach drain assembly to basin. Attach faucet to vanity top.
9. Follow installation instructions for vanity tops top complete installation.

FIG.3

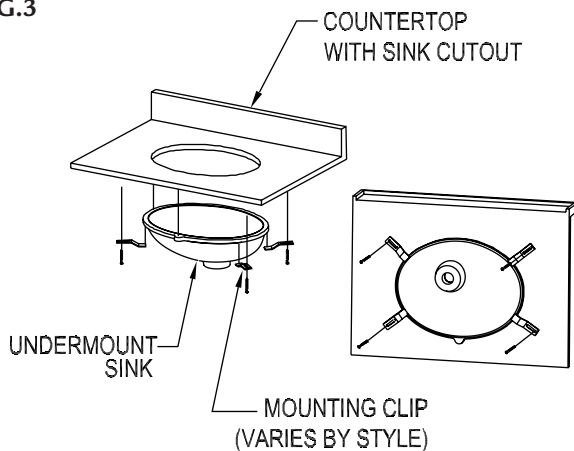
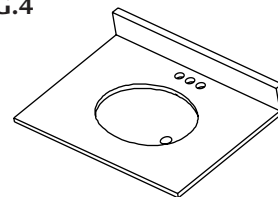


FIG.4



IPC.725/REV.2



Installation Questions?

Contact our Installation Hotline 866.EZINPRO
For Sales & Customer Service call 800.222.5556