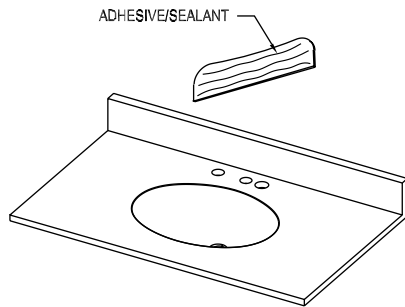


# Installation Instructions Lippert® Faucet Plate

Please read all instructions  
before installing products.

fig.1



1. Mark the location on the vanity top where the faucet plate will go.
2. Apply clear adhesive/sealant on the back of the plate. See Figure 1.
3. Position and press the faucet plate on the vanity top. See Figure 2.
4. Let the adhesive cure for 24 hours before drilling holes for the faucet. See Figure 3.

fig.2

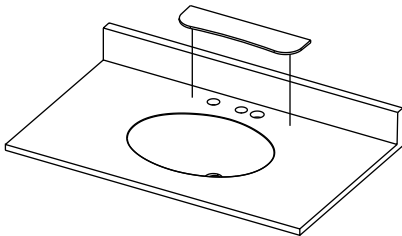
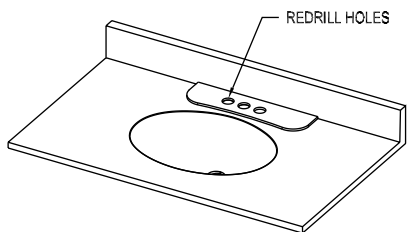


fig.3



IPC.724/REV.1