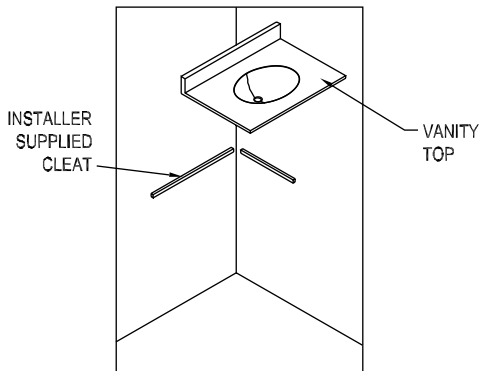


Installation Instructions Lippert® Support Leg

Please read all instructions
before installing products.

fig.1



1. Level the vanity top and measure the distance from the bottom of the vanity top to the floor at the spot where the support leg will be located. See Figure 1.
2. Cut the support leg to that length. Attach an installer supplied wood block to the bottom vanity top and attach the support leg to it. See Figure 2
3. Attach the support leg to the floor with an installer supplied angle bracket. See Figure 3.

fig.2

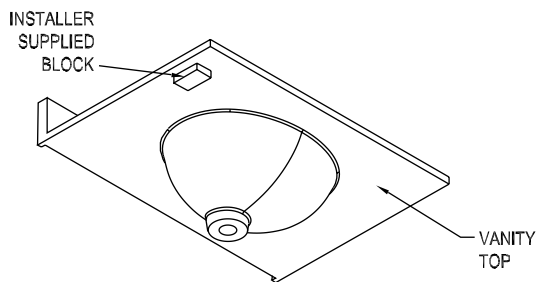


fig.3

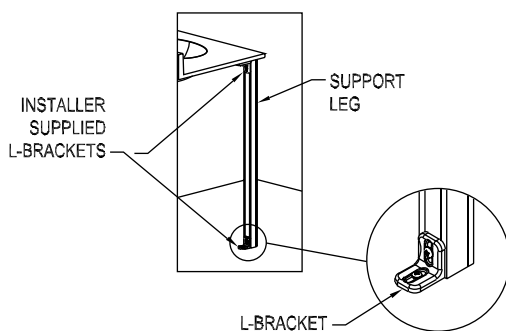
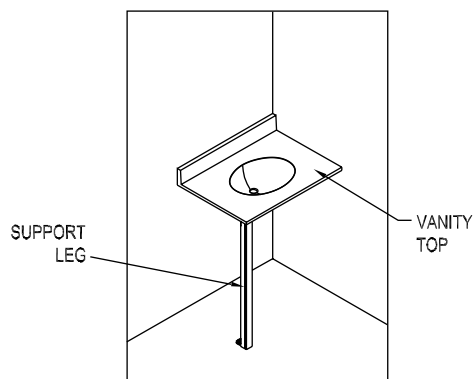


fig.4 - Completed Installation



IPC.719/REV.1