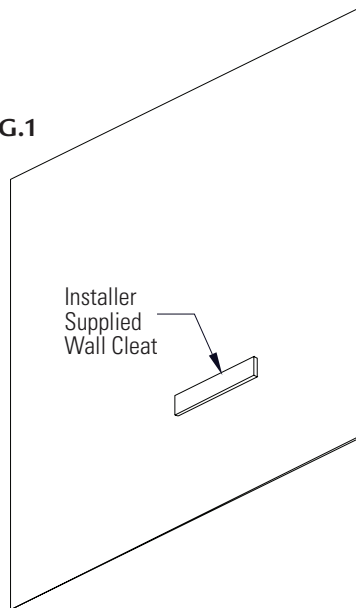


Installation Instructions Prism[®], Illusion[™] & Lippert[®] Vanity Tops without Base Cabinets

Please read all instructions
before installing products.

FIG.1



1. Attach wall cleat to the wall using appropriate fasteners for the substrate. See figure 1. Allow the thickness of the vanity top when determining the height of the cleat.
2. Mount wall brackets to the wall so the support surface is the same height as the wall cleat. See figure 2. Use appropriate $5/16$ " fasteners for the substrate. Use two brackets for vanity top up to 49". For longer vanity tops use additional brackets at a maximum spacing of 30".
3. Set the vanity top on the wall cleat and the brackets and attach the top using appropriate #12- $5/8$ " screws for $1/2$ " plywood bottom or #12- $3/4$ " screw for $3/4$ " plywood bottom. See figure 3.

FIG.2

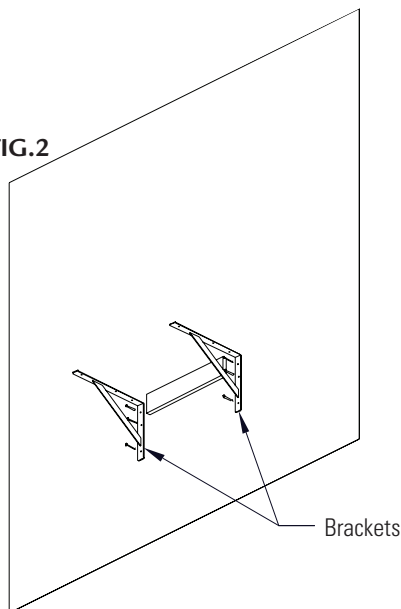
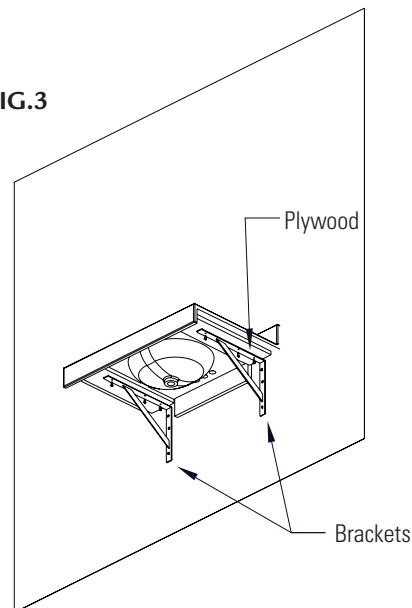


FIG.3



IPC.744/Rev.2



Installation Questions?

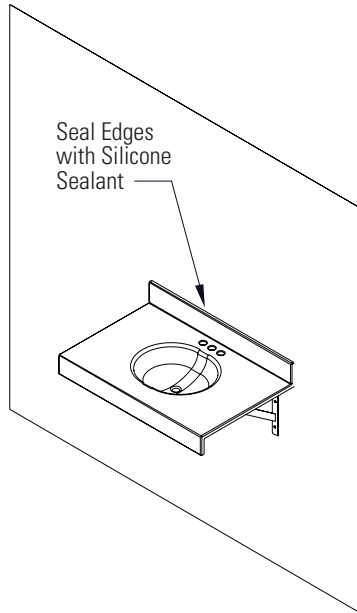
Contact our Installation Hotline 866.EZINPRO
For Sales & Customer Service call 800.222.5556

INPRO
IPC Interior Protection Products
and Decorative Surfaces

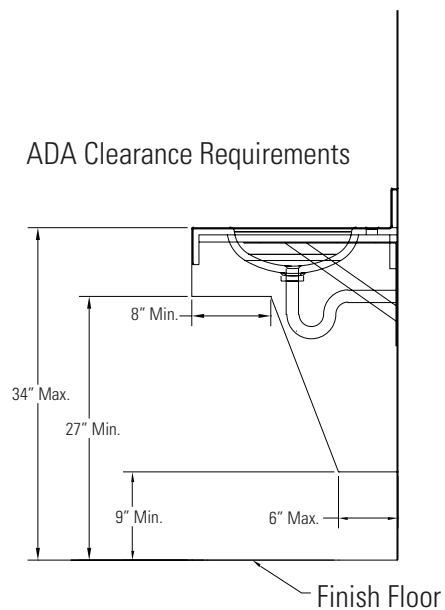
Installation Instructions Prism[®], Illusion[™] & Lippert[®] Vanity Tops without Base Cabinets

Please read all instructions
before installing products.

FIG.4



4. Make all plumbing connections.
5. Seal all edges with silicone sealant. See figure 4.



Installation Questions?

Contact our Installation Hotline 866.EZINPRO
For Sales & Customer Service call 800.222.5556

INPRO CORPORATION
Interior and Exterior Architectural Products