

Prism®

Tub Surrounds & Decks *(Technical Information)*



PRISM® *Solid Surface*

- ▶ Designed to fit standard tub areas
- ▶ 1/4" thick, 60" high wall panels for Prism® Solid Surface
- ▶ Install with included adhesive and silicone sealant
- ▶ Use a clear silicone adhesive to adhere
- ▶ Corner molding and batten strip trim accessories optional
- ▶ Custom tub decks available, call for information
- ▶ Not to be used with steam units; warranty will not apply
- ▶ Meets the emission level requirements of Greenguard Certification
- ▶ Meets National Sanitation Foundation standard for food and splash zones

IPC.709/REV.3



P.O. Box 406 · Muskego, Wisconsin 53150 USA
inprocorp.com
Nationwide 800.222.5556/Fax 888.715.8407
International Sales 262.679.5521/Fax 262.679.5524

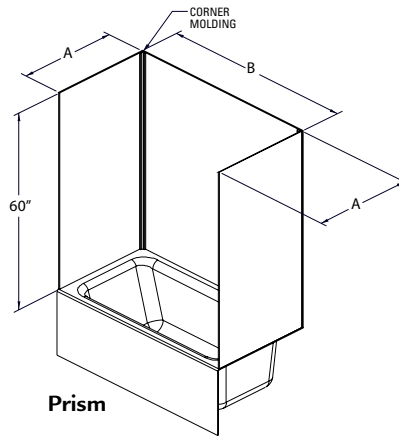
INPRO
IPC Interior Protection Products
and Decorative Surfaces

Prism® Tub Surrounds & Decks Detail Drawings

One-Piece Back Wall Tub Surround

* Tub is not included

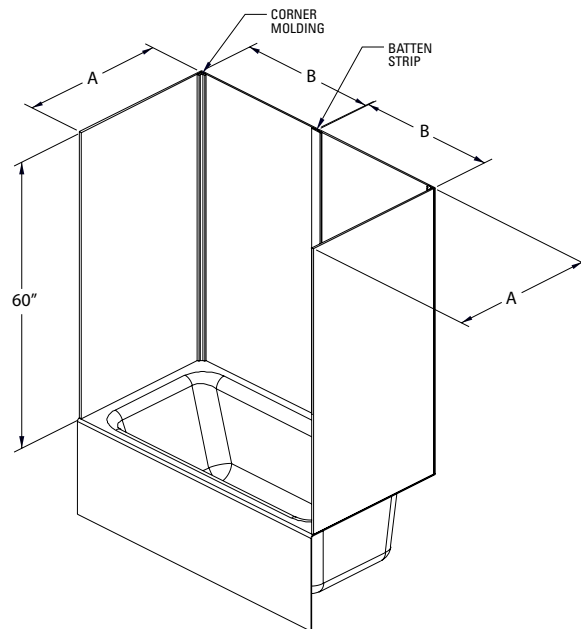
Prism Standard Sizes		
Description	(A) Side Walls	(B) Back Wall
5' Tub Surround	31"w	60"w



Prism Two-Piece Back Wall Tub Surround

* Tub is not included

Standard Sizes		
Description	(A) Side Walls	(B) Back Wall
5' Tub Surround	31"w	30"w



PRISM® Solid Surface Shower Receptors (Custom ADA and Custom non-ADA)



- ▶ Non-skid textured solid surface shower receptor helps to prevent slips and falls
- ▶ Integral water barrier prevents water seepage behind or under shower receptor
- ▶ Surface is easy to clean, non-porous and does not promote the growth of mold, mildew or bacteria
- ▶ Has been tested and meets GREENGUARD Environmental Institute's and the state of California's requirements for low emitting products
- ▶ Has been tested and meets the GREENGUARD Children & School chemical emissions levels
- ▶ Available in 5 solid Prism colors
- ▶ Available in sizes up to 25 square feet (maximum mold size: 90" x 114")

IPC.770/REV.2



P.O. Box 406 · Muskego, Wisconsin 53150 USA
inprocorp.com
Nationwide 800.222.5556/Fax 888.715.8407
International Sales 262.679.5521/Fax 262.679.5524

INPRO 
IPC Interior Protection Products
and Decorative Surfaces

PRISM® Solid Surface Shower Receptors – Custom ADA and Custom non-ADA

Suggested Specifications

PART 1 – GENERAL

1.01 SUMMARY

A. Shower Receptors

1.02 SECTION INCLUDES

A. Solid Surface Shower Receptors

1.03 REFERENCES

A. American National Standards Institute (ANSI)

1.04 SYSTEM DESCRIPTION

A. Performance Requirements: Provide shower receptors that conform to the following requirements of regulatory agencies and the quality control of InPro Corporation.

1. Provide shower receptors that conform to ANSI 124.1.2-2005 when tested for workmanship and finish, structural integrity and material characteristics.

1.05 SUBMITTALS

A. Product Data: Manufacturer's printed product data for each type of shower receptors specified.

B. Samples: Verification samples minimum of 2" x 2" samples indicating color and pattern.

D. Manufacturer's Installation Instruction: Printed installation instructions for shower receptors.

1.06 DELIVERY, STORAGE AND HANDLING

A. Deliver materials in unopened factory packaging to the jobsite

B. Inspect materials at delivery to assure that specified products have been received.

C. Store in original packaging in an interior climate controlled location away from direct sunlight.

1.07 PROJECT CONDITIONS

A. Environmental Requirements: Products must be installed

in an interior climate controlled environment.

1.08 WARRANTY

A. Standard prism Solid Surface Limited 10 Year Warranty against material and manufacturing defects.

PART 2 – PRODUCTS

2.01 MANUFACTURER

A. Acceptable Manufacturer: InPro Corporation, PO Box 406 Muskego, WI 53150 USA; Telephone: 800-222-5556, Fax: 888-715-8407, inprocorp.com

B. Substitutions: Not permitted

C. Provide all shower receptors from a single source.

2.02 MANUFACTURED UNITS

A. Custom ADA Shower Receptors

1. Center Drain Location: Maximum receptor size shall be 25 square feet (maximum mold size: 90" x 114").

Receptor threshold shall be 1/2" high with beveled edges. Slope to drain shall be 1/4" per foot. See table below for recess depth:

Receptor Recess Depth		
Receptor Width	Distance from Center of Drain to Furthest Edge	Recess Depth-Center Drain Location
36"	18"	1 1/2"
42"	21"	1 9/16"
48"	24"	1 5/8"
54"	27"	1 11/16"
60"	30"	1 3/4"
66"	33"	1 13/16"
72"	36"	1 7/8"
78"	39"	1 15/16"
84"	42"	2"
90"	45"	2 1/16"
96"	48"	2 1/8"
102"	51"	2 3/16"
108"	54"	2 1/4"
114"	57"	2 5/16"

2. Offset Drain Location (no closer than 9" from edge): Maximum receptor size shall be 25 square feet (maximum mold size: 90" x 114"). Receptor threshold shall be 1/2" high with beveled edges. Slope to drain shall be 1/4" per foot. See table below for recess depth:

Receptor Recess Depth		
Receptor Width	Distance from Center of Drain to Furthest Edge	Recess Depth
36"	27"	1 11/16"
42"	33"	1 13/16"
48"	39"	1 15/16"
54"	45"	2 1/16"
60"	51"	2 3/16"
66"	57"	2 5/16"

B. Custom Receptors (Non-ADA)

Maximum size shall be 25 square feet (maximum mold size: 90" x 114"), Slope to drain 1/4" per foot, Minimum drain location - 9" from inside

walls. Threshold 4 7/8" high (4" exposed). Install receptor 7/8" below finish floor.

2.03 MATERIALS

A. Prism Solid Surface: Shower receptor shall be manufactured from polyester/acrylic blended resins with natural filler material.

2.04 FINISHES

A. Color of Prism Solid Surface shower receptors to be selected by the architect from the Prism Solid Surface solid color finish selection. Surface shall have a satin finish.

PART 3 – EXECUTION

3.01 EXAMINATION

A. Examine areas and conditions in which shower receptors will be installed.

3.02 PREPARATION

A. General: Prior to installation, clean area to remove dust, debris and loose particles.

3.03 INSTALLATION

A. General: Install components plumb and level, scribe adjacent finishes, in accordance with approved shop drawings and recommended installation instructions.

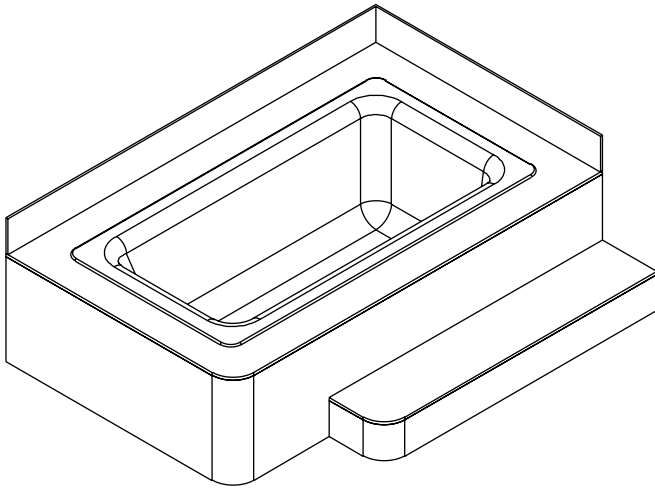
3.04 CLEANING

A. At completion of the installation, clean surfaces in accordance with the InPro Decorative Surfaces clean-up and maintenance instructions.

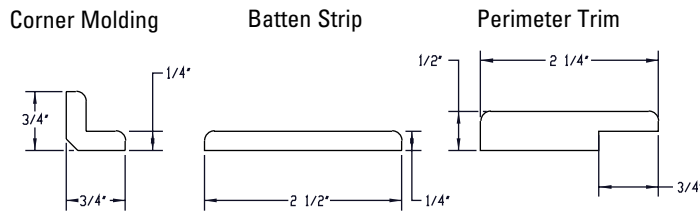


Prism® Tub Surrounds & Decks Detail Drawings

Custom Tub Decks



Prism Trim Accessories



Illusion Trim Accessories

