

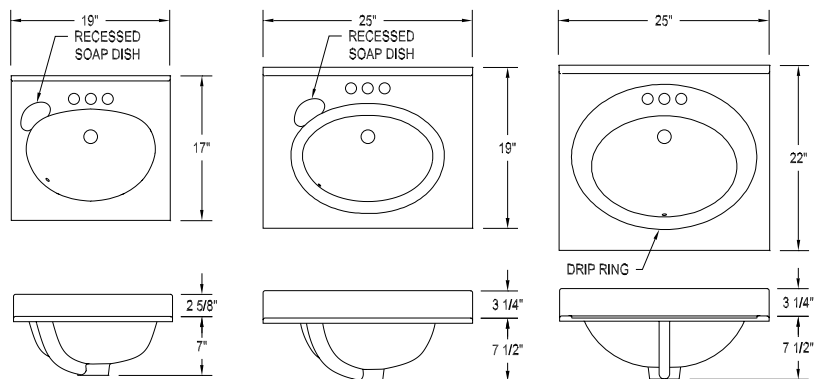
Suncast™ Vanity Tops



SUNCAST *Cultured Marble™*

- ① Standard vanity tops to outfit a bathroom with beautiful yet cost-effective cultured marble
- ① Select from 8 standard colors
- ① Backed by a 3-year limited product warranty

Standard Sizes	
Includes vanity top, 3 1/4" covered backsplash, centered integral bowl, 4" faucet spread drilling	
Style	length x depth
Single Bowl	19" x 17" 25" x 19" 31" x 19" 37" x 19" 25" x 22" 31" x 22" 37" x 22" 43" x 22" 49" x 22" 61" x 22"
Double Bowls	61" x 22" 73" x 22"



IPC.706/REV.1



P.O. Box 406 · Muskego, Wisconsin 53150 USA

inprocorp.com

Nationwide **800.222.5556**/Fax 888.715.8407

International Sales **262.679.5521** / Fax 262.679.5524

Suncast™ Vanity Tops

Suggested Specifications

PART 1 - GENERAL

1.01 SUMMARY

- A. Lavatory tops with sinks from manufacturer's standard sizes

1.02 SECTION INCLUDES

- A. Lavatory top

- B. Sink

1.02 SUBMITTALS

- A. Product Data: Manufacturer's printed product data for each type of lavatory top and sink specified.

- B. Samples: Verification samples minimum of 3" x 3" samples indicating color and pattern.

- D. Manufacturer's Installation Instruction: Printed installation instructions for lavatory top with sink.

1.03 DELIVERY, STORAGE AND HANDLING

- A. Deliver materials in unopened factory packaging to the jobsite

- B. Inspect materials at delivery to assure that specified products have been received.

- C. Store in original packaging in an interior climate controlled location away from direct sunlight.

1.04 PROJECT CONDITIONS

- A. Environmental Requirements: Products must be installed in an interior climate controlled environment.

1.05 WARRANTY

- A. Standard Suncast Cultured Marble Limited 3 Year Warranty against material and manufacturing defects.

PART 2 - PRODUCTS

2.01 MANUFACTURER

- A. Acceptable Manufacturer: InPro Corporation, PO Box 406 Muskego, WI 53150 USA;

Telephone: 800-222-5556, Fax: 888-715-8407,

Internet address: <http://www.inprocorp.com>

- B. Substitutions: Not permitted

- C. Provide all lavatory tops with sinks from a single source.

2.02 MANUFACTURED UNITS

- A. Lavatory Top with Sinks

1. Suncast Cultured Marble: Lavatory tops with integral oval sink

- a. Top size, Thickness, sink size

1) Top, 19" w x 17" d, 3/4" thick, sink, 14 1/4" w x 5 1/4" h

2) Top, 25" w x 19" d, 3/4" thick, sink, 15 3/4" w x 5 1/4" h

3) Top, 31" w x 19" d, 3/4" thick, sink, 15 3/4" w x 5 1/4" h

4) Top, 37" w x 19" d, 3/4" thick, sink, 15 3/4" w x 5 1/4" h

5) Top, 25" w x 22" d, 3/4" thick, sink, 16 1/2" w x 5 1/4" h

6) Top, 31" w x 22" d, 3/4" thick, sink, 16 1/2" w x 5 1/4" h

7) Top, 37" w x 22" d, 3/4" thick, sink, 16 1/2" w x 5 1/4" h

8) Top, 43" w x 22" d, 3/4" thick, sink, 16 1/2" w x 5 1/4" h

9) 49" w x 22" d, 3/4" thick, sink, 16 1/2" w x 5 1/4" h

10) 61" w x 22" d, 3/4" thick, sink, 16 1/2" w x 5 1/4" h

11) 61" w x 22" d, Double, 3/4" thick, sink, 16 1/2" w x 5 1/4" h,

each sink, 15 1/2" from sides

12) 73" w x 22" d, Double, 3/4" thick, sink, 16 1/2" w x 5 1/4" h,

each sink, 18 1/4" from sides

Top edge: Drip less, Backsplash 3/4" high, hole

spacing 4" spread

2.03 OPTIONS

1. Side Splashes

- a. Provide side splashes in a color and finish matching the sink and lavatory. Sizes: 19" Left, 19" Right, 22" Universal

2.03 MATERIALS

- A. Suncast Cultured Marble: Cultured marble tops and sinks shall be gel-coat and manufactured from polyester resins with natural filler material. Granite color shall be a spray granite veneer.

2.04 FINISHES

- A. Color and pattern of cultured marble lavatory tops and sinks to be selected by the architect from the Suncast Cultured Marble finish selection. Surface shall have a gloss finish.

PART 3 - EXECUTION

3.01 EXAMINATION

- A. Examine areas and conditions in which lavatory tops with sinks will be installed.

3.02 PREPARATION

- A. General: Prior to installation, clean area to remove dust, debris and loose particles.

3.03 INSTALLATION

- A. General: Install components plumb and level, scribe adjacent finishes, in accordance with approved shop drawings and recommended installation instructions.

3.04 CLEANING

- A. At completion of the installation, clean surfaces in accordance with the InPro Decorative Surfaces clean-up and maintenance instructions.