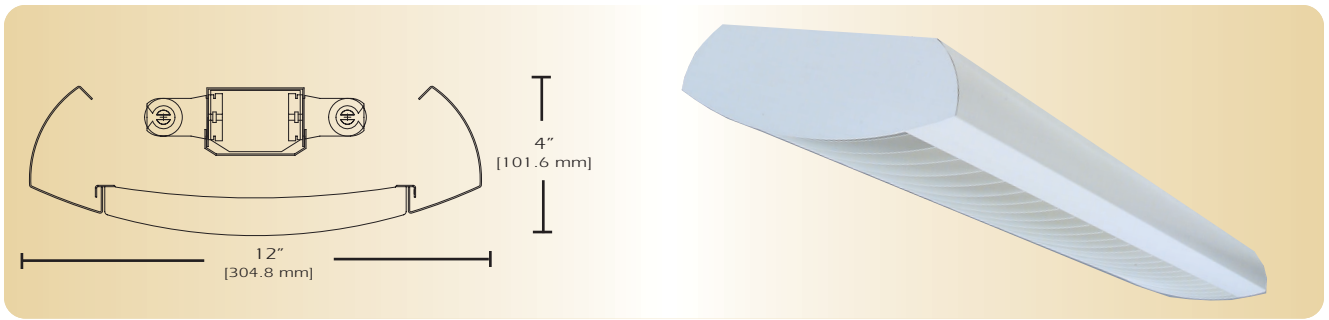


Generation Series 3

G3-DI-1



TYPE _____

FEATURES

The G3-DI-1 is one variation of a complete family of direct/indirect fluorescent luminaires with a unique obround profile. Constructed of die formed steel, it features uninterrupted, perfectly aligned continuous rows. The G3-DI-1 series can be furnished in a wide variety of perforated accent patterns in addition to the standard solid side panels. The computer designed optical system creates a widespread indirect distribution while the direct radial baffle provides visual contrast and excellent task lighting.

SPECIFICATIONS

Housing: Two piece die formed 20-gauge cold rolled steel welded construction forming a 4" x 12" rounded profile. Finished end caps are laser cut 16-gauge cold rolled steel, with no exposed hardware or knockouts. Intermediate end caps are provide to eliminate light leaks and for precision alignment of continuous rows.

Reflector: Die formed 20-gauge cold rolled steel minimum 90% reflectivity finished in high gloss baked white enamel.

Baffle: One-piece laser cut 20-gauge steel 4 foot long, steel cross baffle. The radius cross blades are spaced 1" high and 2" on center. The baffle is installed by lift and shift method and finished in matte white.

Electrical: Ballast is electronic, high power factor, thermally protected class P, sound rated A, with less than 20% total harmonic distortion. The minimum number of ballasts will be used unless otherwise specified.

Mounting: Standard Installation is an adjustable self-locking aircraft cable assembly 48" x 3/32" in diameter with 5" canopy. One 16/4 SJT straight 54" cord is supplied with each power feed. Standard pendants are available in 24" lengths. See Accessories for additional mounting.

Finish: Fixture housing and steel components are finished in baked white enamel applied over five-stage pretreatment.

Lamps: Fixtures are provided for use with two 32 watt T8 lamps. (Supplied by Others)

Certification: Luminaires are U. L. Listed C. S. A. certified and are Union Made in the United States of America I.B.E.W.

ORDERING GUIDE

MODEL NO.	DIRECTION	SHIELDING	LAMPS	MOUNTING	LENGTH	FINISH	VOLTAGE	OPTIONS
G3	- DI -	1	- <input type="checkbox"/> -	- <input type="checkbox"/> -	- <input type="checkbox"/> -	- <input type="checkbox"/> -	- <input type="checkbox"/> -	- <input type="checkbox"/> -
G3	DI= Direct/Indirect	1=Solid	232T8	AC= Cable PD= Pendant	4= 4 ft 8= 8 ft	W= White CC= Custom Color	120v 277v	See Options Below
			O= Other Specify	See Accessories				

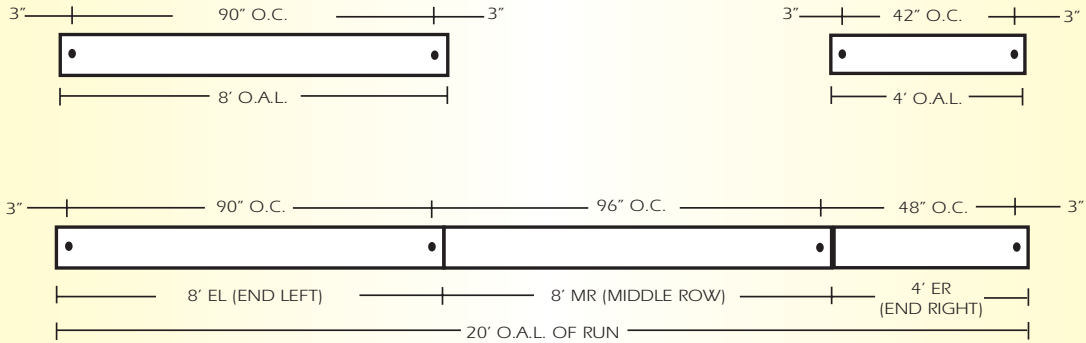
Example: **G3-DI-1-232-T8-AC-4-W-277V**

Generation Three with solid side for two 32 watt T8 lamps with two 48 inch aircraft cables and power feed four foot fixture finished in baked white enamel with 277volt electronic ballast less than 20% total harmonic distortion.

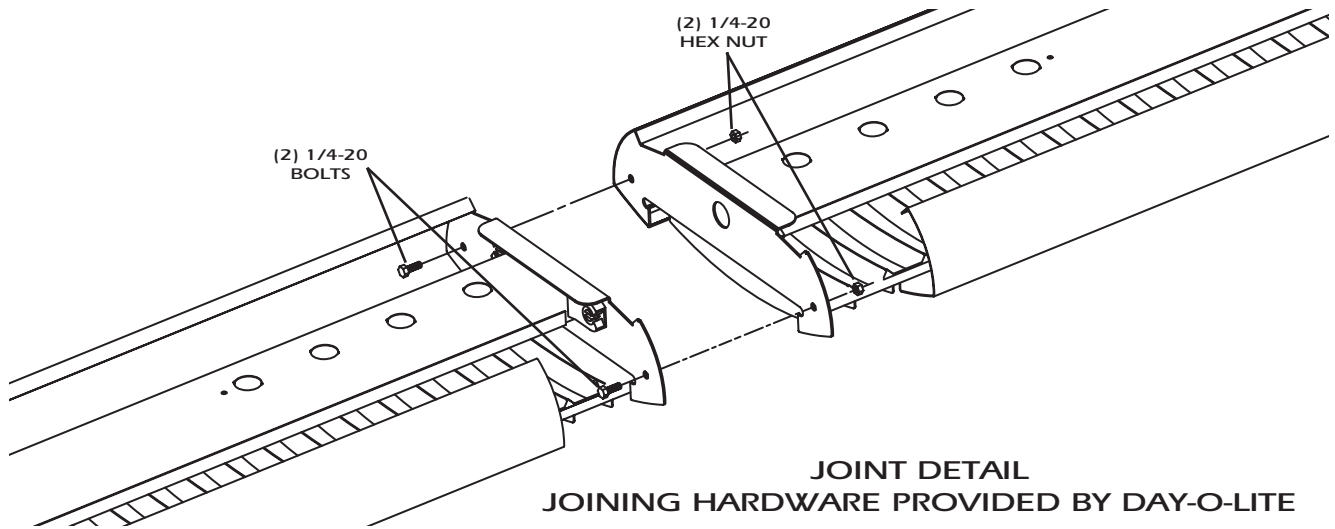
OPTIONS

- E10=** Electronic ballast, high power factor, thermally protected class P, sound rated A, < 10% total harmonic distortion
- DIM=** Dimming Ballast
- EPC=** Emergency Battery Pack
- EMC=** Emergency Circuit
- TCW=** Two Circuit Wiring
- TDW=** Tandem Wiring
- QCW=** Quick Connect Wiring
- OTH=** See Accessories for other options available

LINEAR SECTIONS AND SUSPENSION LOCATION

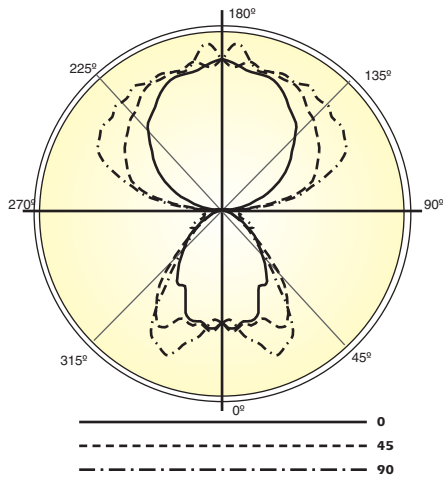


INSTALLATION PREPARATION



JOINT DETAIL
JOINING HARDWARE PROVIDED BY DAY-O-LITE

PHOTOMETRY



LAMP (2) 32W T8
LUMENS: 2900 PER LAMP

Candela Distribution:

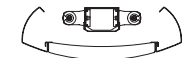
Vert. Angle	0	22.5	45	67.5	90
0	653	653	653	653	653
5	716	650	684	669	693
15	592	638	666	712	698
25	541	574	650	724	734
35	420	485	603	628	664
45	334	405	435	398	380
55	239	277	226	211	215
65	157	150	107	119	142
75	68.7	68.3	51.5	75.0	105
85	20.4	15.5	14.1	12.7	9.75
95	47.4	103	128	142	148
105	169	275	383	455	453
115	292	397	528	611	653
125	416	512	635	714	723
135	526	580	703	789	805
145	607	664	742	793	817
155	674	717	772	815	807
165	696	735	810	813	768
175	891	701	763	740	822
180	760	760	760	760	760

Optical Distribution:
66% Indirect: 34% Direct

Coefficients of Utilization - Zonal Cavity Method:

pfc = 0.20

	.8	.7	.5	.3	.1	0
pcc	.8	.7	.5	.3	.1	0
pw	.7 .5 .3 .1	.7 .5 .3 .1	.5 .3 .1	.5 .3 .1	.5 .3 .1	0
RCR						
0	86 86 86 86	77 77 77 77	62 62 62	47 47 47	34 34 34	28
1	78 75 72 69	71 68 65 63	54 53 51	42 41 40	31 30 29	24
2	71 66 61 57	64 59 55 52	48 45 43	37 35 34	27 26 25	21
3	65 58 52 48	59 53 48 44	42 39 36	33 31 29	24 23 22	18
4	60 51 45 40	54 47 41 37	38 34 31	30 27 25	22 20 19	15
5	55 46 39 35	49 42 36 32	34 30 27	27 24 21	20 18 16	13
6	50 41 34 30	45 37 32 28	30 26 23	24 21 19	18 16 14	12
7	47 37 31 26	42 34 28 24	27 23 20	22 19 17	16 14 13	11
8	43 33 27 23	39 30 25 21	25 21 18	20 17 15	15 13 12	9
9	40 30 24 20	36 28 22 19	23 19 16	18 15 13	14 12 10	8
10	37 28 22 18	34 25 20 17	21 17 14	17 14 12	13 11 9	8



Total Luminaire Optical Efficiency = 83.1%