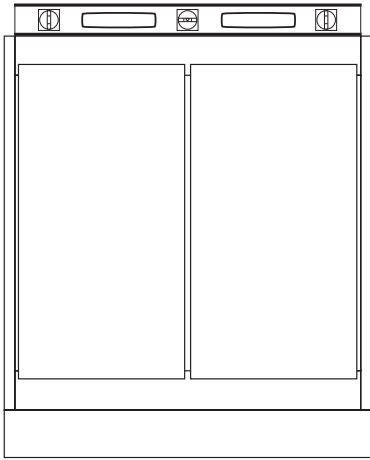


# Installation Instructions Prism<sup>®</sup>, Illusion<sup>™</sup>, Lippert<sup>®</sup> & Suncast Vanity Tops

FIG.1

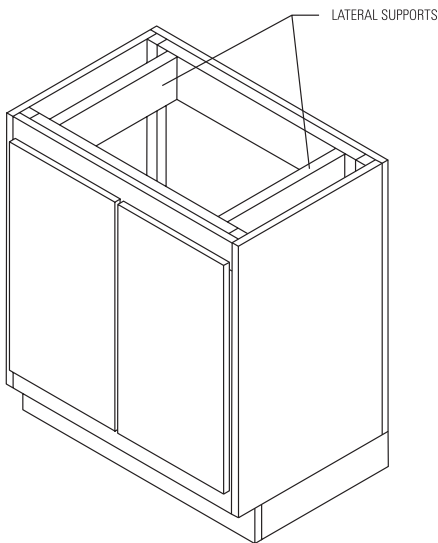


Please read all instructions  
before installing products.

**NOTE:** Before installation, check material completely to ensure that it was not damaged in transit. Check size, color and style/model to confirm the product matches the order. Verify that the vanity top is the correct size for the cabinet.

1. Verify that the cabinet or wood frame is level and flat. See Figure 1.
2. Wall to wall installation - Measure and check the dimension with the top. Cut or sand edges to fit. Sanding may be needed to fit to uneven walls.
3. Two section tops that are ordered with "Jobsite Butt Fit" - Each section is up to 1" longer to allow for a perfect field fit. Trim extra material with a belt sander and #24 or #36 sandpaper or a saber saw.
4. Saw counter top on backside or use wide masking tape to protect finished surface from scratches or chipping.
5. Only sand or saw edges that will be concealed after installation. DO NOT cut or sand exposed (finished) edges. Sanding or cutting exposed edges will; damage the gel coat on Lippert vanity tops. Always support and protect the material when sanding or cutting
6. Space lateral (front to back) supports 24" or less. See Figure 2.

FIG.2



IPC.732/REV.3



## Installation Questions?

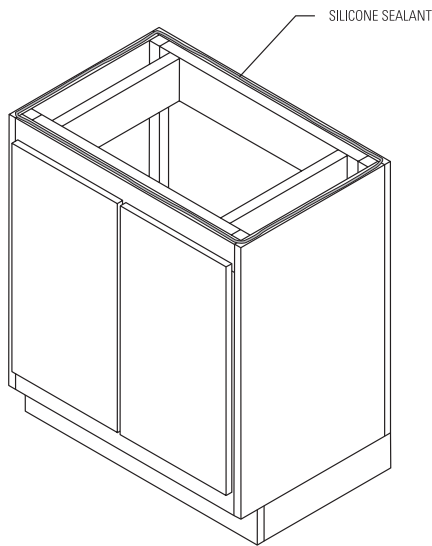
Contact our Installation Hotline 866.EZINPRO  
For Sales & Customer Service call 800.222.5556

**INPRO**  
**IPC** Interior Protection Products  
and Decorative Surfaces

## Installation Instructions

# Prism<sup>®</sup>, Illusion<sup>™</sup>, Lippert<sup>®</sup> & Suncast Vanity Tops

FIG.3



7. Apply a small bead of clear silicone sealant to the top edge of the cabinet or frame. See Figure 3.
8. Carefully lower the vanity top into position and press firmly into place. See Figure 4.
9. Bond side splashes to the vanity top and tool the seams with silicone sealant. See Figure 5.
10. Seal and carefully tool all joints with silicone sealant to provide a smooth contoured joint.

FIG.4

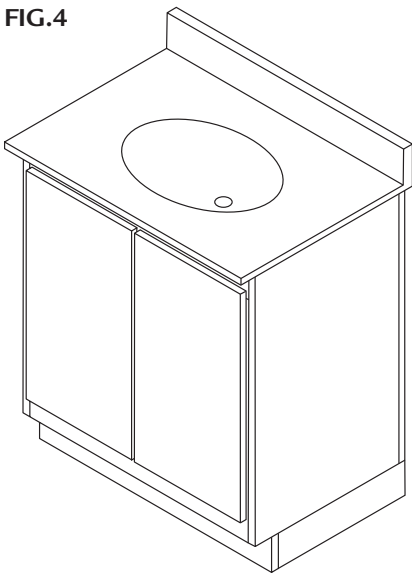
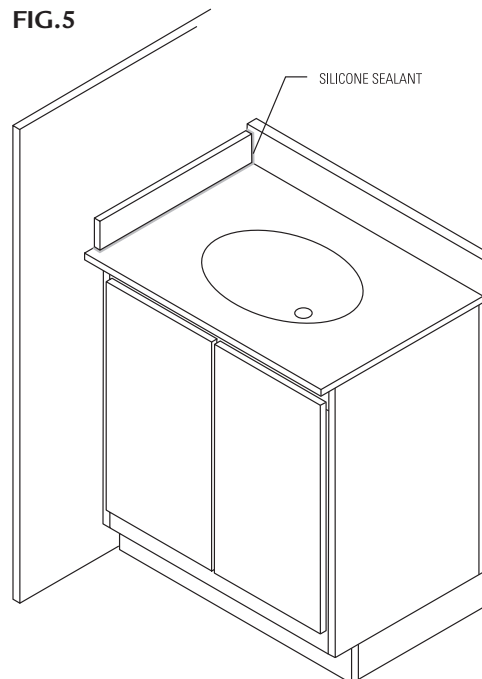


FIG.5



### Installation Questions?

Contact our Installation Hotline 866.EZINPRO  
For Sales & Customer Service call 800.222.5556