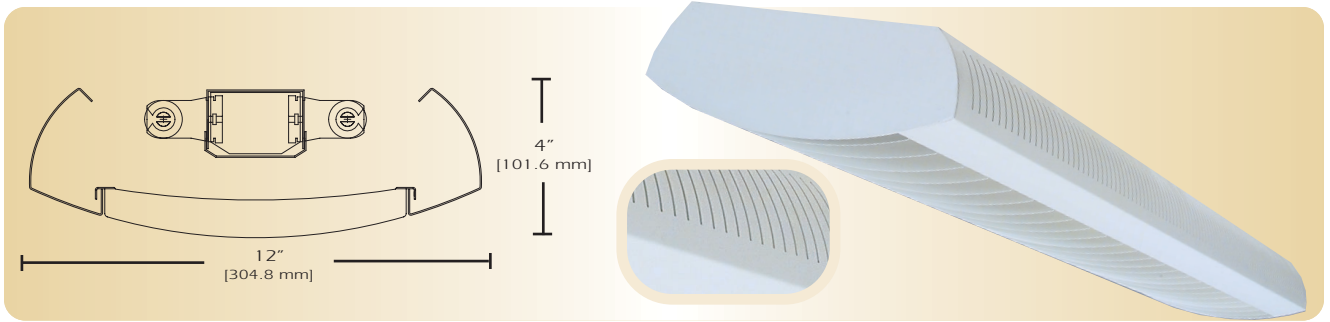


Generation Series 3

G3-DI-7



TYPE _____

FEATURES

The G3-DI-7 is one variation of a complete family of direct/indirect fluorescent luminaires with unique obround profile. Constructed of die formed steel, it features uninterrupted, perfectly aligned continuous rows. The G3-DI-7 series can be furnished in a wide variety of perforated accent patterns in addition to the standard pattern. The standard pattern is a continuous rectangular slot on each side panel. The rectangular vertical slots are 1 15/16" long x 1/8" wide. The computer designed optical system creates a widespread indirect distribution while the direct radial baffle provides visual contrast and excellent task lighting.

SPECIFICATIONS

Housing: Two piece die formed 20-gauge cold rolled steel welded construction forming a 4" x 12" rounded profile. Continuous rectangular sections are 1 15/16" x 1/8" straight pattern with white .020 translucent overlay. Finished end caps are laser cut 16-gauge cold rolled steel, with no exposed hardware or knockouts. Intermediate end caps are provide to eliminate light leaks and for precision alignment of continuous rows.

Reflector: Die formed 20-gauge cold rolled steel minimum 90% reflectivity finished in high gloss baked white enamel.

Baffle: One-piece laser cut 20-gauge steel 4 foot long, steel cross baffle. The radius cross blades are spaced 1" high and 2" on center. The baffle is installed by lift and shift method and finished in matte white.

Electrical: Ballast is electronic, high power factor, thermally protected class P, sound rated A, with less than 20% total harmonic distortion. The minimum number of ballasts will be used unless otherwise specified.

Mounting: Standard Installation is an adjustable self-locking aircraft cable assembly 48" x 3/32" in diameter with 5" canopy. One 16/4 SJT straight 54" cord is supplied with each power feed. Standard pendants are available in 24" lengths. See Accessories for additional mounting.

Finish: Fixture housing and steel components are finished in baked white enamel applied over five-stage pretreatment.

Lamps: Fixtures are provided for use with two 32 watt T8 lamps. (Supplied by Others)

Certification: Luminaires are U. L. Listed C. S. A. certified and are Union Made in the United States of America I.B.E.W.

ORDERING GUIDE

MODEL NO.	DIRECTION	SHIELDING	LAMPS	MOUNTING	LENGTH	FINISH	VOLTAGE	OPTIONS
G3	- DI	- 7	-	-	-	-	-	-
G3	DI= Direct/Indirect	7= Rectangular Continuous	232T8	AC= Cable PD= Pendant	4= 4 ft 8= 8 ft	W= White CC= Custom Color	120v 277v	See Options Below
			O= Other Specify	See Accessories				

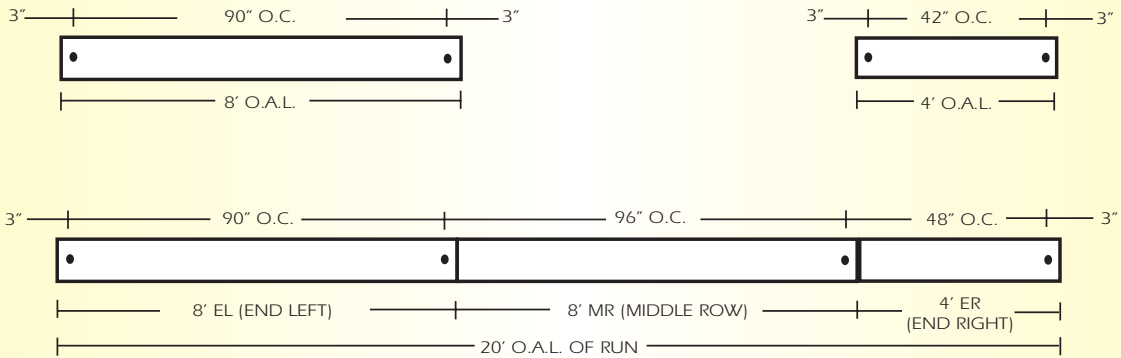
Example: **G3-DI-7-232-T8-AC-4-W-277V**

Generation Three with rectangular continuous sections for two 32 watt T8 lamps with two 48 inch aircraft cables and power feed four foot fixture finished in baked white enamel with 277volt electronic ballast less than 20% total harmonic distortion.

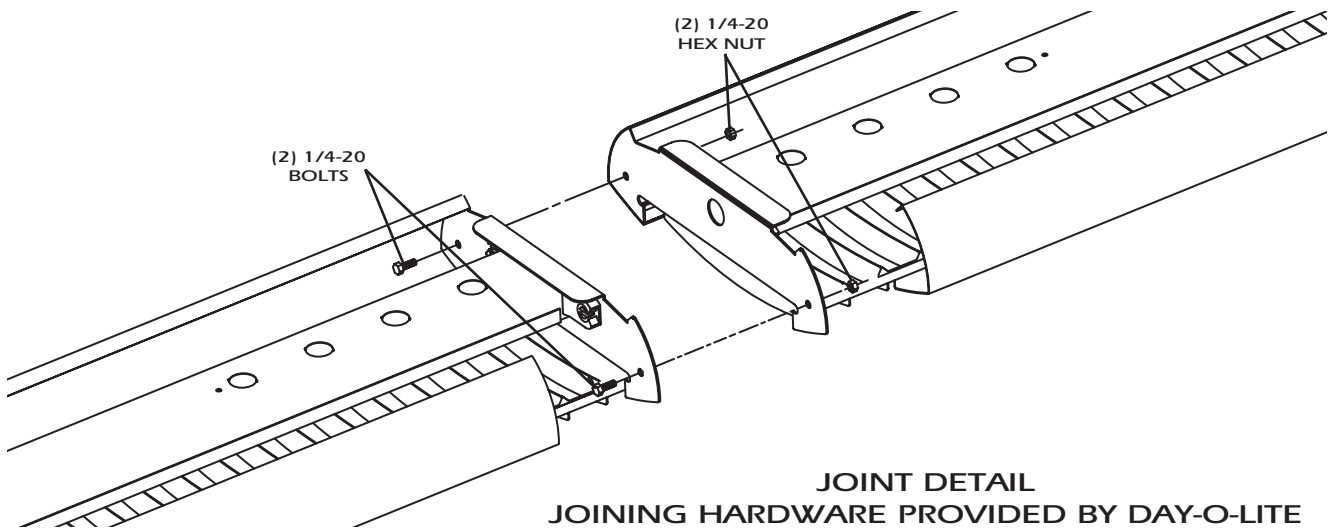
OPTIONS

- E10=** Electronic ballast, high power factor, thermally protected class P, sound rated A, < 10% total harmonic distortion
- DIM=** Dimming Ballast
- EPC=** Emergency Battery Pack
- EMC=** Emergency Circuit
- TCW=** Two Circuit Wiring
- TDW=** Tandem Wiring
- QCW=** Quick Connect Wiring
- OTH=** See Accessories for other options available

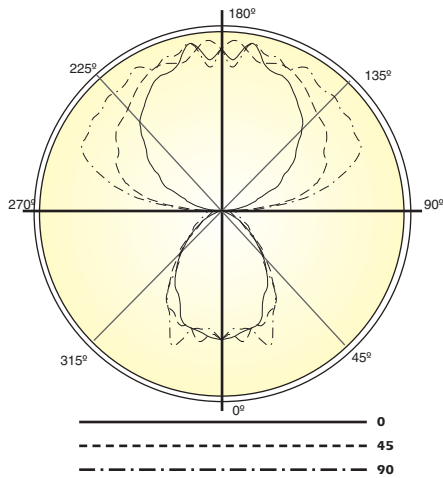
LINEAR SECTIONS AND SUSPENSION LOCATION



INSTALLATION PREPARATION



PHOTOMETRY



LAMP (2) 32W T8
LUMENS: 2900 PER LAMP

Candela Distribution:

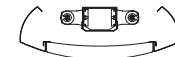
Vert. Angle	0	22.5	45	67.5	90
0	641	641	641	641	641
5	648	653	621	642	653
15	587	638	631	702	736
25	536	584	616	718	707
35	448	505	558	644	651
45	339	386	437	397	382
55	250	282	226	211	218
65	159	146	106	121	139
75	79.5	70.2	55.9	82.4	117
85	21.9	18.0	15.5	12.4	8.57
95	66.9	118	130	150	142
105	185	281	394	451	458
115	309	420	521	613	661
125	413	500	651	706	724
135	519	613	706	783	815
145	597	662	748	797	816
155	695	709	759	815	822
165	704	776	764	773	723
175	722	750	691	735	734
180	768	768	768	768	768

Optical Distribution:
66% Indirect: 34% Direct

Coefficients of Utilization - Zonal Cavity Method:

pfc = 0.20

	.8	.7	.5	.3	.1	0												
pcc	.8	.7	.5	.3	.1	0												
pw	.7	.5	.3	.1	.5	.3	.1	.5	.3	.1	0							
RCR																		
0	86	86	86	86	77	77	77	77	62	62	62	47	47	47	34	34	34	28
1	78	75	72	69	71	68	65	63	54	53	51	42	41	40	30	30	29	24
2	72	66	61	57	64	60	55	52	48	45	43	37	35	34	27	26	25	20
3	65	58	52	48	59	53	48	44	42	39	36	33	31	29	24	23	21	18
4	60	51	45	40	54	47	41	37	38	34	31	29	27	25	22	20	19	15
5	55	46	39	34	49	42	36	32	34	30	26	26	24	21	20	18	16	13
6	51	41	34	30	45	37	32	28	30	26	23	24	21	19	18	16	14	12
7	47	37	30	26	42	34	28	24	27	23	20	22	19	16	16	14	13	10
8	43	33	27	23	39	30	25	21	25	21	18	20	17	15	15	13	11	9
9	40	30	24	20	36	28	22	19	23	19	16	18	15	13	14	12	10	8
10	37	28	22	18	34	25	20	17	21	17	14	17	14	12	13	11	9	8



Total Luminaire Optical Efficiency = 83.2%