

TYPE _____

FEATURES

The G4-DI-3 presents a unique shallow winged profile and is one variation of a complete family of suspended linear fluorescent luminaires. The G4-DI-3 is a direct/indirect version of the family of luminaires and provides exceptional performance. Constructed of perforated steel and aluminum extrusions, it features a "reveal" between modules in continuous rows. The computer designed optical system creates a widespread indirect distribution while offering a wide variety of direct perforated accent patterns along its wings creating its own unique styling contrast.

SPECIFICATIONS

- Housing:** One piece die formed 20 gauge cold rolled steel welded construction forming a 2 5/8" x 11" wave profile. Continuous perforated sections are 1/16" diameter x 3/32" straight centers with white .020 translucent overlay. The housing ends are die formed extruded aluminum. The decorative intermediate end caps are provided for mounting and joining individual fixtures in rows. Finished ends are laser cut aluminum, with no exposed hardware or knockouts.
- Reflector:** Die formed 20-gauge cold rolled steel minimum 90% reflectivity in high gloss white enamel with die formed .025 specular anodized aluminum center reflector.
- Electrical:** Ballast is electronic, high power factor, thermally protected class P, sound rated A, with less than 20% total harmonic distortion. The minimum number of ballasts will be used unless otherwise specified.
- Mounting:** Standard Installation is an adjustable self-locking aircraft cable assembly 48" x 3/32" in diameter with 5" canopy. One 16/4 SJT straight 54" cord is supplied with each power feed. Standard pendants are available in 24" lengths. See Accessories for additional mounting.
- Finish:** Fixture housing and steel components are finished in baked white enamel applied over a five-stage pretreatment process.
- Lamps:** Fixtures are provided for use with two 32 watt T8 lamps. (Supplied by Others)
- Certification:** Luminaires are U. L. Listed, C. S. A. certified and are Union Made in the United States of America I.B.E.W.

ORDERING GUIDE

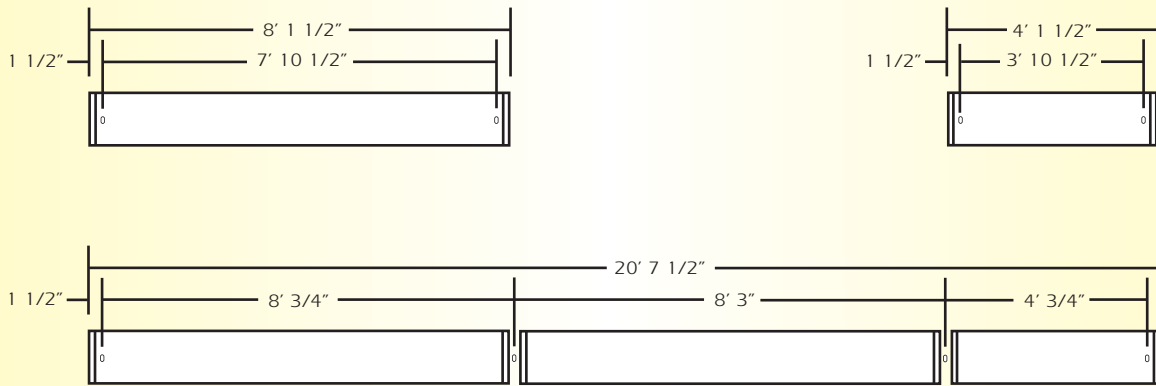
MODEL NO.	DIRECTION	SHIELDING	LAMPS	MOUNTING	LENGTH	FINISH	VOLTAGE	OPTIONS
G4	- DI	- 3	- 232T8	- AC	- 4	- W	- 120v	- See Options Below
G4	DI = Direct/ Indirect	3 =Perforated Continuous	232T8	AC = Cable PD = Pendant	4 = 4 ft 8 = 8 ft	W = White CC = Custom Color	120v 277v	
			O =Other Specify	See Accessories	for other, please enter row length (eg. 48=48ft)			

Example: **G4-DI-3-232T8-AC-4-W-277V**
 Generation Four with continuous perforated pattern with opal overlay for two 32 watt T8 lamps with two 48 inch aircraft cables and power feed four foot fixture finished in baked white enamel with 277v electronic ballast less than 20% total harmonic distortion.

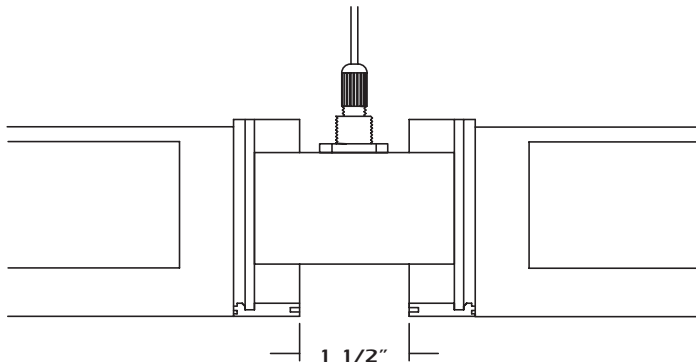
OPTIONS

- E10=** Electronic ballast, high power factor, thermally protected class P, sound rated A, < 10% total harmonic distortion
- DIM=** Dimming Ballast
- EPC=** Emergency Battery Pack
- EMC=** Emergency Circuit
- TCW=** Two Circuit Wiring
- TDW=** Tandem Wiring
- QCW=** Quick Connect Wiring
- OTH=** See Accessories for other options available

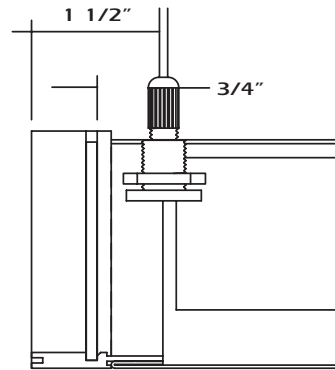
LINEAR SECTIONS AND SUSPENSION LOCATION



INSTALLATION PREPARATION

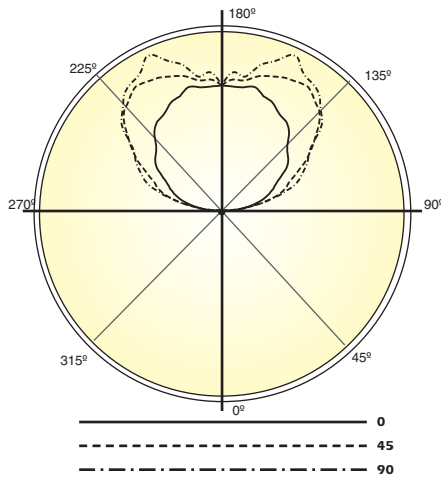


TYPICAL JOINT DETAIL



TYPICAL END DETAIL

PHOTOMETRY



LAMP (2) 32W T8
LUMENS: 2900 PER LAMP

Candela Distribution:

Vert. Angle	0	22.5	45	67.5	90
0	8	8	8	8	8
5	8	5	8	6	8
15	8	9	12	15	14
25	12	12	28	43	46
35	9	16	42	68	88
45	8	23	64	102	117
55	10	29	80	130	157
65	8	28	102	155	184
75	4	22	97	164	191
85	4	10	82	157	183
95	157	148	152	203	221
105	339	408	462	496	513
115	508	645	660	720	765
125	639	841	935	909	892
135	759	964	1107	1153	1135
145	832	990	1187	1259	1275
155	944	1033	1166	1279	1299
165	1019	1003	1099	1149	1198
175	1010	1015	1006	956	1042
180	1040	1040	1040	1040	1040

Optical Distribution:
91% Indirect: 9% Direct

Coefficients of Utilization - Zonal Cavity Method:

pfc = 0.20

	.8	.7	.5	.3	.1	0												
pcc	.8	.7	.5	.3	.1	0												
pw	.7	.5	.3	.1	.5	.3	.1	.5	.3	.1	0							
RCR																		
0	84	84	84	84	73	73	73	73	52	52	52	33	33	33	16	16	16	8
1	76	72	68	65	65	62	59	57	44	42	41	28	27	26	11	11	11	5
2	68	62	57	52	59	54	49	46	38	35	33	24	22	21	9	9	9	3
3	62	54	48	43	53	47	42	38	33	30	27	21	19	17	7	7	7	2
4	56	47	41	36	49	41	36	31	29	26	23	18	16	14	6	6	6	2
5	52	42	35	30	44	36	31	26	26	22	19	16	14	12	5	5	5	1
6	47	37	30	26	41	32	27	22	23	19	16	14	12	10	4	4	4	1
7	43	33	27	22	37	29	23	19	21	17	14	13	10	9	3	3	3	1
8	40	30	23	19	34	26	20	17	18	15	12	12	9	8	3	3	3	1
9	37	27	21	17	32	23	18	15	17	13	11	10	8	7	2	2	2	1
10	34	24	19	15	30	21	16	13	15	12	9	10	7	6	2	2	2	0



Total Luminaire Optical Efficiency = 86.2%