

TYPE _____

FEATURES

The G4-DI-6 presents a unique shallow winged profile and is one variation of a complete family of suspended linear fluorescent luminaires. The G4-DI-6 is a direct/indirect version of the family of luminaires and provides exceptional performance. Constructed of perforated steel and aluminum extrusions, it features a "reveal" between modules in continuous rows. The computer designed optical system creates a widespread indirect distribution while offering a wide variety of direct perforated accent patterns along its wings creating its own unique styling contrast.

SPECIFICATIONS

Housing: One piece die formed 20 gauge cold rolled steel welded construction forming a 2 5/8" x 11" wave profile. The pattern is 2" square with white .020 translucent overlay. The housing ends are die formed extruded aluminum. The decorative intermediate end caps are provided for mounting and joining individual fixtures in rows. Finished ends are laser cut aluminum, with no exposed hardware or knockouts.

Reflector: Die formed 20-gauge cold rolled steel minimum 90% reflectivity in high gloss white enamel with die formed .025 specular anodized aluminum center reflector.

Electrical: Ballast is electronic, high power factor, thermally protected class P, sound rated A, with less than 20% total harmonic distortion. The minimum number of ballasts will be used unless otherwise specified.

Mounting: Standard Installation is an adjustable self-locking aircraft cable assembly 48" x 3/32" in diameter with 5" canopy. One 1/4 SJT straight 54" cord is supplied with each power feed. Standard pendants are available in 24" lengths. See Accessories for additional mounting.

Finish: Fixture housing and steel components are finished in baked white enamel applied over a five-stage pretreatment process.

Lamps: Fixtures are provided for use with two 32 watt T8 lamps. (Supplied by Others)

Certification: Luminaires are U. L. Listed, C. S. A. certified and are Union Made in the United States of America I.B.E.W.

ORDERING GUIDE

MODEL NO.	DIRECTION	SHIELDING	LAMPS	MOUNTING	LENGTH	FINISH	VOLTAGE	OPTIONS
G4	- DI	- 6	- 232T8	- AC	- 4	- W	- 120v	- See Options Below
G4	DI = Direct/ Indirect	6 = Square Cluster	232T8	AC = Cable PD = Pendant	4 = 4 ft 8 = 8 ft	W = White CC = Custom Color	120v 277v	

O=Other Specify See Accessories for other, please enter row length (eg. 48=48ft)

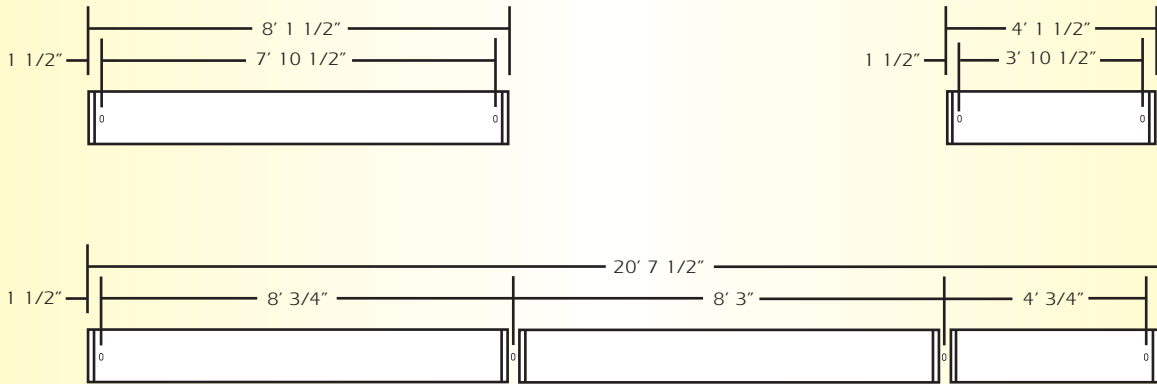
Example: **G4-DI-6-232T8-AC-4-W-277V**

Generation Four with square continuous pattern with opal overlay for two 32 watt T8 lamps with two 48 inch aircraft cables and power feed four foot fixture finished in baked white enamel with 277v electronic ballast less than 20% total harmonic distortion.

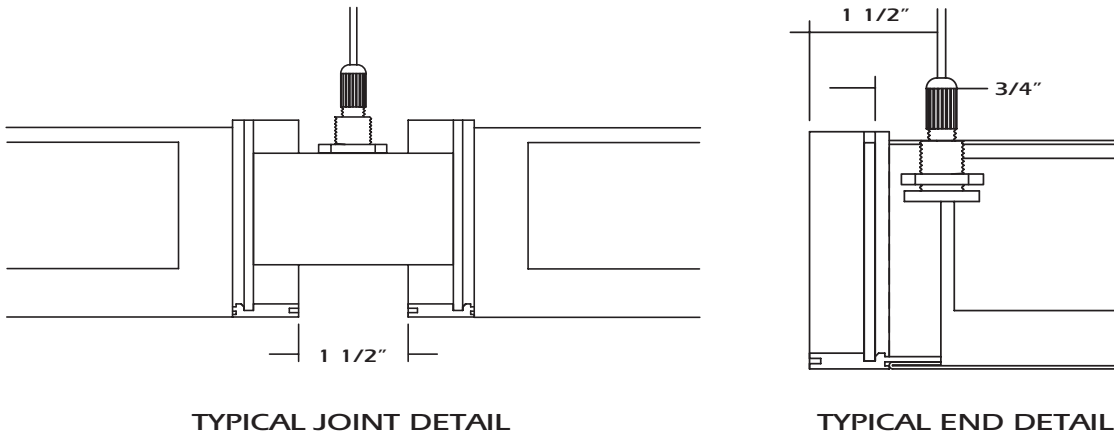
OPTIONS

- E10=** Electronic ballast, high power factor, thermally protected class P, sound rated A, < 10% total harmonic distortion
- DIM=** Dimming Ballast
- EPC=** Emergency Battery Pack
- EMC=** Emergency Circuit
- TCW=** Two Circuit Wiring
- TDW=** Tandem Wiring
- QCW=** Quick Connect Wiring
- OTH=** See Accessories for other options available

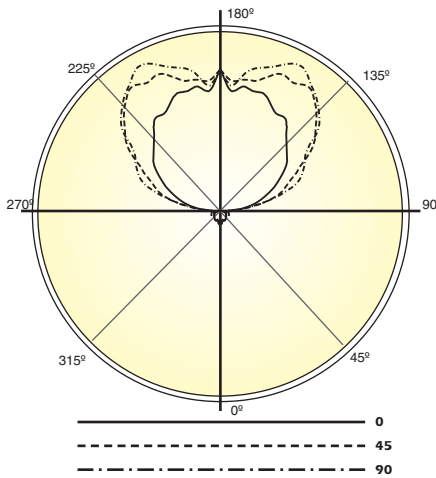
LINEAR SECTIONS AND SUSPENSION LOCATION



INSTALLATION PREPARATION



PHOTOMETRY



LAMP (2) 32W T8
LUMENS: 2900 PER LAMP

Candela Distribution:

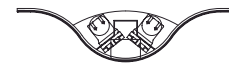
Vert. Angle	0	22.5	45	67.5	90
0	85	85	85	85	85
5	102	79	81	88	88
15	72	89	87	87	87
25	79	73	78	81	90
35	74	76	78	82	79
45	64	69	68	78	69
55	50	57	61	73	79
65	43	42	55	74	74
75	33	31	52	65	68
85	17	26	44	61	55
95	143	158	161	169	163
105	326	387	474	488	492
115	484	608	642	708	730
125	643	807	912	868	845
135	750	955	1092	1119	1120
145	904	1020	1224	1253	1256
155	947	1013	1203	1288	1304
165	996	1029	1081	1180	1189
175	967	1081	1047	994	1008
180	1137	1137	1137	1137	1137

Optical Distribution:
92% Indirect: 8% Direct

Coefficients of Utilization - Zonal Cavity Method:

pfc = 0.20

	.8	.7	.5	.3	.1	0
pcc	.8	.7	.5	.3	.1	0
pw	.7	.5	.3	.1	.5	.3
RCR	.1	.7	.5	.3	.1	.5
0	81	81	81	81	71	71
1	74	70	67	64	64	61
2	67	61	56	52	58	53
3	61	53	48	43	52	46
4	56	47	41	36	48	41
5	51	42	35	30	44	36
6	47	37	31	26	40	32
7	43	33	27	22	37	29
8	39	30	24	19	34	26
9	37	27	21	17	32	23
10	34	24	19	15	29	21



Total Luminaire Optical Efficiency = 84%