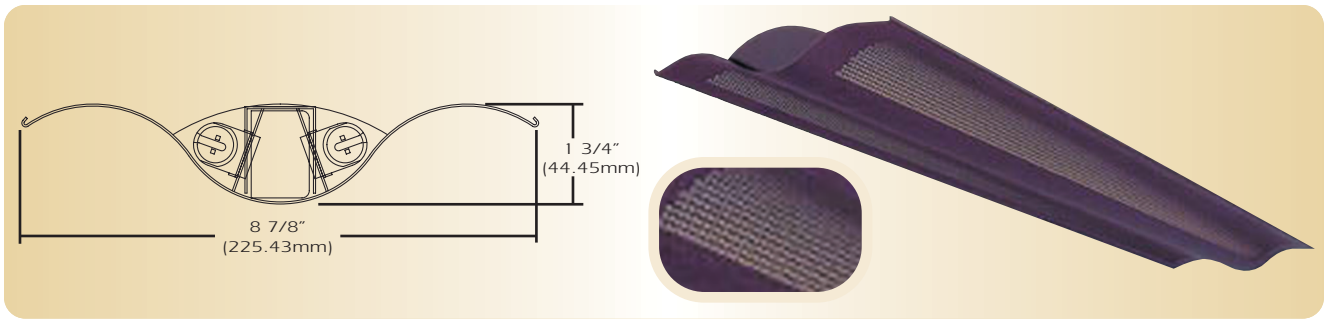


Generation Series 4

G4-DI-3-2T5



TYPE _____

FEATURES

The G4-DI-3 presents a unique ultra shallow winged profile and is one variation of a complete family of suspended linear fluorescent luminaires. The G4-DI-3 is a direct/indirect version of the family of luminaires and provides exceptional performance. Constructed of perforated steel and aluminum extrusions, it features a "reveal" between modules in continuous rows. The computer designed optical system creates a widespread indirect distribution while offering a wide variety of direct perforated accent patterns along its wings creating its own unique styling contrast.

SPECIFICATIONS

Housing: One piece die formed 20 gauge cold rolled steel welded construction forming a 1 3/4" x 8 7/8" wave profile. Continuous perforated sections are 1/16" diameter x 3/32" straight centers with white .020 translucent overlay. The housing ends are die formed extruded aluminum. The decorative intermediate end caps are provided for mounting and joining individual fixtures in rows. Finished ends are laser cut aluminum, with no exposed hardware or knockouts.

Reflector: Die formed 20-gauge cold rolled steel minimum 90% reflectivity in high gloss white enamel with die formed .025 specular anodized aluminum center reflector.

Electrical: Ballast is electronic, high power factor, thermally protected class P, sound rated A, with less than 10% total harmonic distortion. The minimum number of ballasts will be used unless otherwise specified.

Mounting: Standard Installation is an adjustable self-locking aircraft cable assembly 48" x 3/32" in diameter with 5" canopy. One 1/4" SJT straight 54" cord is supplied with each power feed. Standard pendants are available in 24" lengths. See Accessories for additional mounting.

Finish: Fixture housing and steel components are finished in baked white enamel applied over a five stage pretreatment process.

Lamps: Fixtures are provided for use with two 28 watt T5 or two 54 watt T5 HO lamps. (Supplied by Others)

Certification: Luminaires are U. L. listed, C. S. A. certified and are Union Made in the United States of America I.B.E.W.

ORDERING GUIDE

MODEL NO.	DIRECTION	SHIELDING	LAMPS	MOUNTING	LENGTH	FINISH	VOLTAGE	OPTIONS
G4	- DI	- 3	- <input type="checkbox"/>	- <input type="checkbox"/>	- <input type="checkbox"/>	- <input type="checkbox"/>	- <input type="checkbox"/>	- <input type="checkbox"/>
G4	DI = Direct/ Indirect	3 =Perforated Continuous	228T5 254T5 HO	AC = Cable PD = Pendant	4 = 4 ft 8 = 8 ft	W = White CC = Custom Color	120v 277v	See Options Below

O=Other Specify See Accessories for other, please enter row length (eg. 48=48ft)

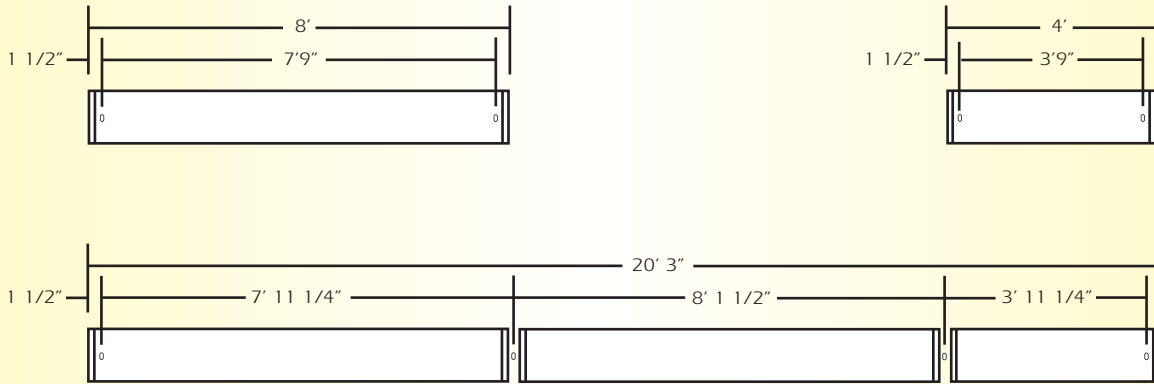
Example: **G4-DI-3-254T5HO-AC-4-W-277V**

Generation Four with continuous perforated pattern with opal overlay for two 54 watt T5 HO lamps with two 48 inch aircraft cables and power feed four foot fixture finished in baked white enamel with 277v electronic ballast less than 10% total harmonic distortion.

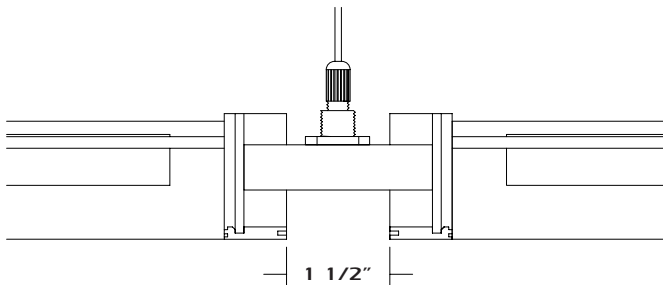
OPTIONS

- DIM**= Dimming Ballast
- EPC**= Emergency Battery Pack
- EMC**= Emergency Circuit
- TCW**= Two Circuit Wiring
- TDW**= Tandem Wiring
- QCW**= Quick Connect Wiring
- OTH**= See Accessories for other options available

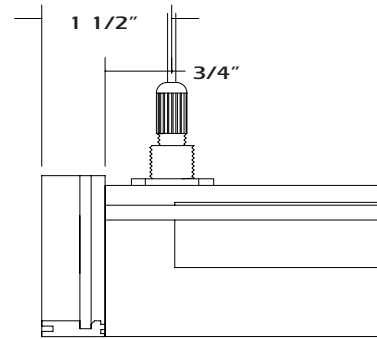
LINEAR SECTIONS AND SUSPENSION LOCATION



INSTALLATION PREPARATION

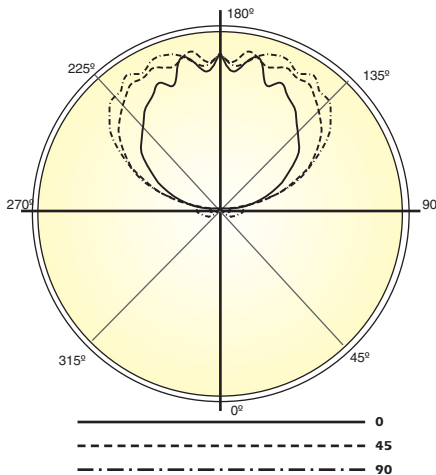


TYPICAL JOINT DETAIL



TYPICAL END DETAIL

PHOTOMETRY



LAMP (2) 54W T5 HO
LUMENS: 5000 PER LAMP

Candela Distribution:

Vert. Angle	0	22.5	45	67.5	90
0	11	11	11	11	11
5	4	12	11	12	7
15	13	13	16	13	6
25	15	11	12	11	16
35	9	14	12	28	45
45	15	11	29	79	100
55	13	16	60	123	161
65	11	20	87	168	203
75	8	23	118	192	228
85	5	13	107	241	281
95	240	195	185	246	262
105	551	667	706	712	696
115	838	1029	1154	1185	1177
125	1125	1255	1460	1567	1587
135	1298	1465	1657	1745	1831
145	1510	1613	1829	1890	1943
155	1665	1730	1856	1980	1938
165	1841	1785	1827	1862	1896
175	1646	1709	1759	1678	1718
180	1847	1847	1847	1847	1847

Optical Distribution:
93% Indirect: 7% Direct

Coefficients of Utilization - Zonal Cavity Method:

pfc = 0.20

	.8	.7	.5	.3	.1	0												
pcc	.8	.7	.5	.3	.1	0												
pw	.7	.5	.3	.1	.5	.3	.1	.5	.3	.1	0							
RCR																		
0	74	74	74	74	64	64	64	64	45	45	45	28	28	28	12	12	12	5
1	67	63	60	58	57	55	52	50	38	37	35	23	22	22	9	9	9	3
2	60	55	50	46	52	47	44	40	33	31	29	20	19	18	7	7	7	2
3	55	48	43	38	47	41	37	33	29	26	24	18	16	14	5	5	5	1
4	50	42	36	32	43	36	32	28	25	22	20	15	14	12	4	4	4	1
5	46	37	31	27	39	32	27	24	23	19	17	14	12	10	4	4	4	1
6	42	33	27	23	36	29	24	20	20	17	14	12	10	9	3	3	3	0
7	38	30	24	20	33	26	21	17	18	15	12	11	9	8	3	3	3	0
8	35	27	21	17	30	23	18	15	16	13	11	10	8	7	2	2	2	0
9	33	24	19	15	28	21	16	13	15	12	9	9	7	6	2	2	2	0
10	31	22	17	13	26	19	14	11	13	10	8	8	6	5	2	2	2	0



Total Luminaire Optical Efficiency = 76.2%