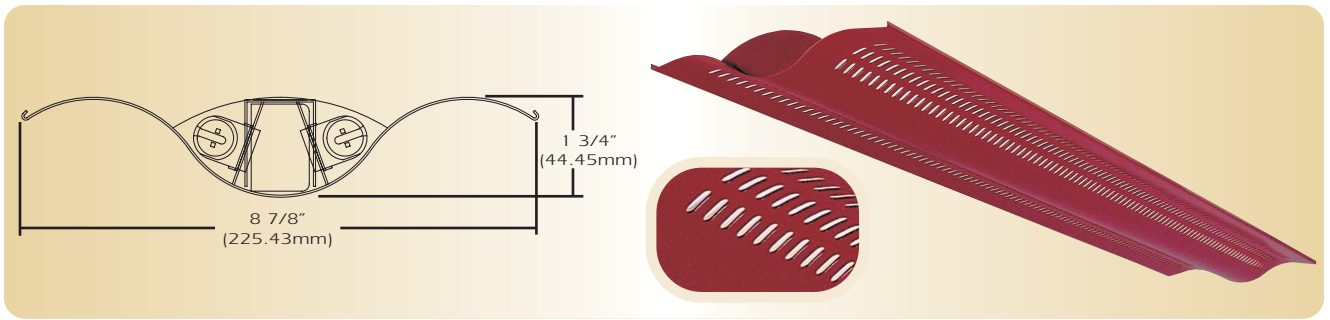


# Generation Series 4

G4-DI-4-2T5



TYPE \_\_\_\_\_

FEATURES

The G4-DI-4 presents a unique ultra shallow winged profile and is one variation of a complete family of suspended linear fluorescent luminaires. The G4-DI-4 is a direct/indirect version of the family of luminaires and provides exceptional performance. Constructed of perforated steel and aluminum extrusions, it features a "reveal" between modules in continuous rows. The computer designed optical system creates a widespread indirect distribution while offering a wide variety of direct perforated accent patterns along its wings creating its own unique styling contrast.

SPECIFICATIONS

**Housing:** One piece die formed 20 gauge cold rolled steel welded construction forming a 1 3/4" x 8 7/8" wave profile. Continuous obround pattern is 3/16" x 1/2" straight with white .020 translucent overlay. The housing ends are die formed extruded aluminum. The decorative intermediate end caps are provided for mounting and joining individual fixtures in rows. Finished ends are laser cut aluminum, with no exposed hardware or knockouts.

**Reflector:** Die formed 20-gauge cold rolled steel minimum 90% reflectivity in high gloss white enamel with die formed .025 specular anodized aluminum center reflector.

**Electrical:** Ballast is electronic, high power factor, thermally protected class P, sound rated A, with less than 10% total harmonic distortion. The minimum number of ballasts will be used unless otherwise specified.

**Mounting:** Standard Installation is an adjustable self-locking aircraft cable assembly 48" x 3/32" in diameter with 5" canopy. One 1/4 SJT straight 54" cord is supplied with each power feed. Standard pendants are available in 24" lengths. See Accessories for additional mounting.

**Finish:** Fixture housing and steel components are finished in baked white enamel applied over a five stage pretreatment process.

**Lamps:** Fixtures are provided for use with two 28 watt T5 or two 54 watt T5 HO lamps. (Supplied by Others)

**Certification:** Luminaires are U. L. listed, C. S. A. certified and are Union Made in the United States of America I.B.E.W.

ORDERING GUIDE

MODEL NO.	DIRECTION	SHIELDING	LAMPS	MOUNTING	LENGTH	FINISH	VOLTAGE	OPTIONS
<b>G4</b>	- <b>DI</b>	- <b>4</b>	- <input type="checkbox"/>	- <input type="checkbox"/>	- <input type="checkbox"/>	- <input type="checkbox"/>	- <input type="checkbox"/>	- <input type="checkbox"/>
<b>G4</b>	<b>DI</b> = Direct/ Indirect	<b>4</b> =Obround Continuous	<b>228T5</b> <b>254T5 HO</b>	<b>AC</b> = Cable <b>PD</b> = Pendant	<b>4</b> = 4 ft <b>8</b> = 8 ft	<b>W</b> = White <b>CC</b> = Custom Color	<b>120v</b> <b>277v</b>	<b>See Options Below</b>

**O**=Other Specify      See Accessories for other, please enter row length (eg. 48=48ft)

Example: **G4-DI-4-254T5HO-AC-4-W-277V**

Generation Four with obround continuous pattern with opal overlay for two 54 watt T5 HO lamps with two 48 inch aircraft cables and power feed four foot fixture finished in baked white enamel with 277v electronic ballast less than 10% total harmonic distortion.

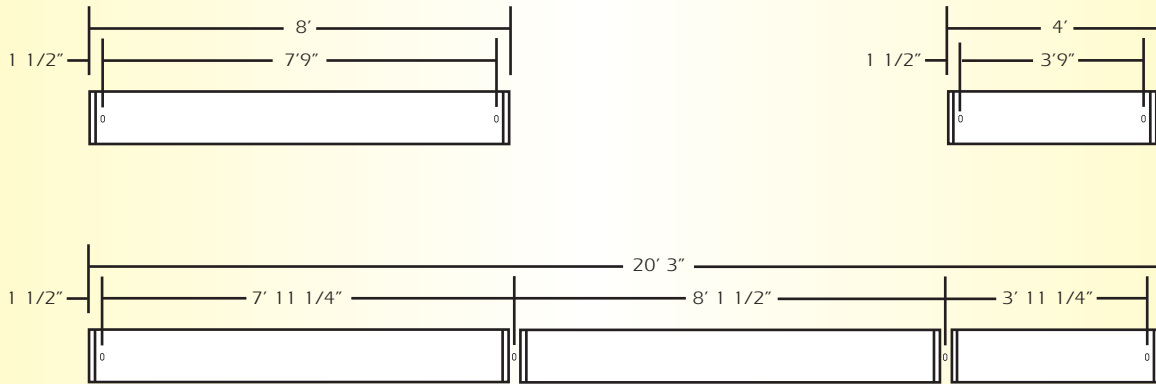
OPTIONS

- DIM**= Dimming Ballast
- EPC**= Emergency Battery Pack
- EMC**= Emergency Circuit
- TCW**= Two Circuit Wiring
- TDW**= Tandem Wiring
- QCW**= Quick Connect Wiring
- OTH**= See Accessories for other options available

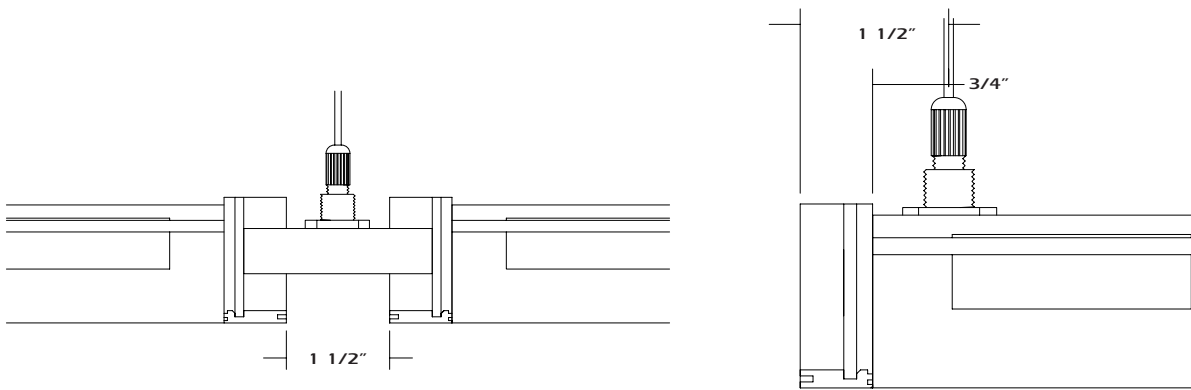
# Generation Series 4

G4-DI-4-2T5

LINEAR SECTIONS AND SUSPENSION LOCATION



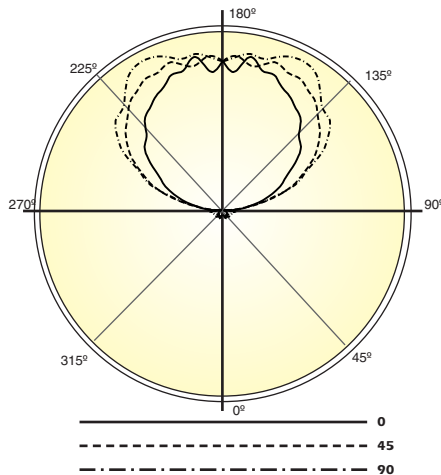
INSTALLATION PREPARATION



TYPICAL JOINT DETAIL

TYPICAL END DETAIL

PHOTOMETRY



LAMP (2) 54W T5 HO  
LUMENS: 5000 PER LAMP

Candela Distribution:

Vert. Angle	0	22.5	45	67.5	90
0	79	79	79	79	79
5	96	82	78	85	94
15	82	86	73	82	86
25	80	67	82	86	83
35	70	70	73	87	91
45	61	65	86	87	109
55	58	60	77	88	102
65	49	48	79	95	112
75	34	38	73	97	109
85	18	42	91	131	150
95	212	191	165	167	153
105	512	630	667	637	637
115	790	942	1065	1110	1096
125	1089	1226	1403	1468	1541
135	1286	1481	1609	1710	1705
145	1509	1612	1773	1893	1971
155	1648	1682	1826	1919	2024
165	1753	1751	1807	1933	1883
175	1674	1854	1863	1748	1850
180	1791	1791	1791	1791	1791

Optical Distribution:  
94% Indirect: 6% Direct

Coefficients of Utilization - Zonal Cavity Method:

pfc = 0.20

	.8	.7	.5	.3	.1	0												
pcc	.8	.7	.5	.3	.1	0												
pw	.7	.5	.3	.1	.5	.3	.1	0										
RCR																		
0	72	72	72	72	62	62	62	62	44	44	44	27	27	27	12	12	12	5
1	65	62	59	56	56	53	51	49	38	36	35	23	22	22	9	9	9	3
2	59	54	49	46	51	46	43	40	33	30	29	20	19	18	7	7	7	2
3	54	47	42	38	46	41	36	33	29	26	24	18	16	15	6	6	6	2
4	49	41	36	32	42	36	31	28	25	22	20	16	14	12	5	5	5	2
5	45	37	31	27	38	32	27	23	22	19	17	14	12	11	4	4	4	1
6	41	32	27	23	35	28	23	20	20	17	15	12	11	9	4	4	4	1
7	38	29	24	20	32	25	21	17	18	15	13	11	9	8	3	3	3	1
8	35	26	21	17	30	23	18	15	16	13	11	10	8	7	3	3	3	1
9	32	24	18	15	28	21	16	13	15	12	10	9	7	6	2	2	2	1
10	30	21	16	13	26	19	14	12	13	10	8	8	7	5	2	2	2	1



Total Luminaire Optical Efficiency = 74.4%