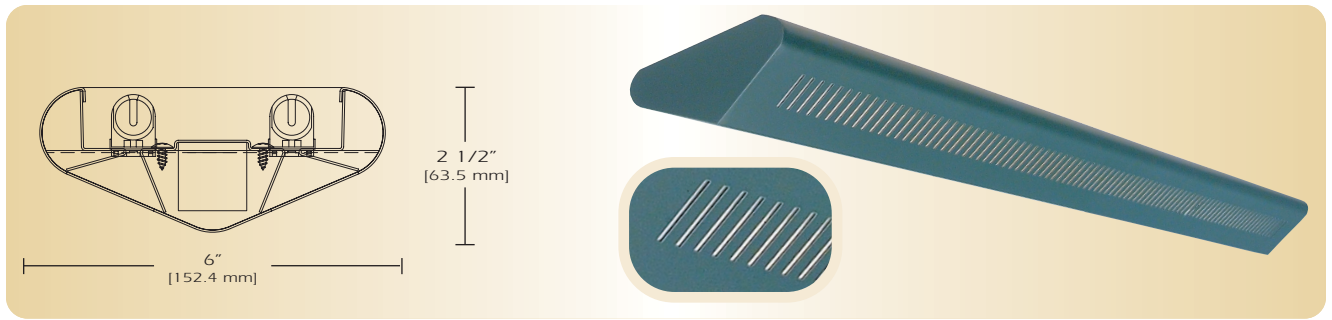


# Generation Series 5

G5-DI-7



TYPE \_\_\_\_\_

## FEATURES

The G5-DI-7 presents a unique ultra shallow sculptured profile. It is one variation of a complete family of suspended linear fluorescent luminaires. The G5-DI-7 is a direct/indirect version and provides exceptional performance. The computer designed optical system creates widespread indirect distribution while a variety of direct components provide contrast. The low profile and modern design provide excellent efficiency and styling where high performance and uniform lighting are required.

## SPECIFICATIONS

**Housing:** One piece die formed 20-gauge cold rolled steel welded construction forming a 6" x 2 1/2" 'V' shape profile. Rectangular pattern is 1 15/16" x 1/8" straight with white acrylic .020 translucent overlay. Finished end caps are laser cut 16-gauge cold rolled steel, with no exposed hardware or knockouts.

**Reflector:** Die formed 20-gauge cold rolled steel minimum 90% reflectivity finished in high gloss baked white enamel with die formed .025 specular anodized aluminum side reflectors.

**Electrical:** Ballast is electronic, high power factor, thermally protected class P, sound rated A, with less than 10% total harmonic distortion. The minimum number of ballasts will be used unless otherwise specified.

**Mounting:** Standard Installation is an adjustable self-locking aircraft cable assembly 48" x 3/32" in diameter with 5" canopy. One 16/4 SJT straight 54" cord is supplied with each power feed. Standard pendants are available in 24" lengths. See Accessories for additional mounting.

**Finish:** Fixture housing and steel components are finished in baked white enamel applied over a five-stage pretreatment process.

**Lamps:** Fixtures are provided for use with one or two 28 watt T5 lamps or 54 watt T5 HO lamps. (Supplied by Others)

**Certification:** Luminaires are U. L. Listed, C. S. A. certified and are Union Made in the United States of America I.B.E.W.

## ORDERING GUIDE

MODEL NO.	DIRECTION	SHIELDING	LAMPS	MOUNTING	LENGTH	FINISH	VOLTAGE	OPTIONS
<b>G5</b>	- <b>DI</b>	- <b>7</b>	-	-	-	-	-	-
<b>G5</b>	<b>DI=</b> Direct/Indirect	<b>7=</b> Rectangular Continuous	<b>128T5</b> <b>228T5</b> <b>154T5 HO</b> <b>254T5 HO</b>	<b>AC=</b> Cable <b>PD=</b> Pendant	<b>4=</b> 4 ft <b>8=</b> 8 ft <b>12=</b> 12 ft	<b>W=</b> White <b>CC=</b> Custom Color	<b>120v</b> <b>277v</b>	<b>See</b> <b>Options</b> <b>Below</b>
			<b>O=</b> Other Specify	See Accessories	for other, please enter row length (eg. 48=48ft)			

Example: **G5-DI-7-254T5HO-AC-4-W-277V**

Generation Five with rectangle slotted continuous pattern with opal overlay for two 54 watt T5 HO lamps with two 48 inch aircraft cables and power feed four foot fixture finished in baked white enamel with 277v electronic ballast less than 10% total harmonic distortion.

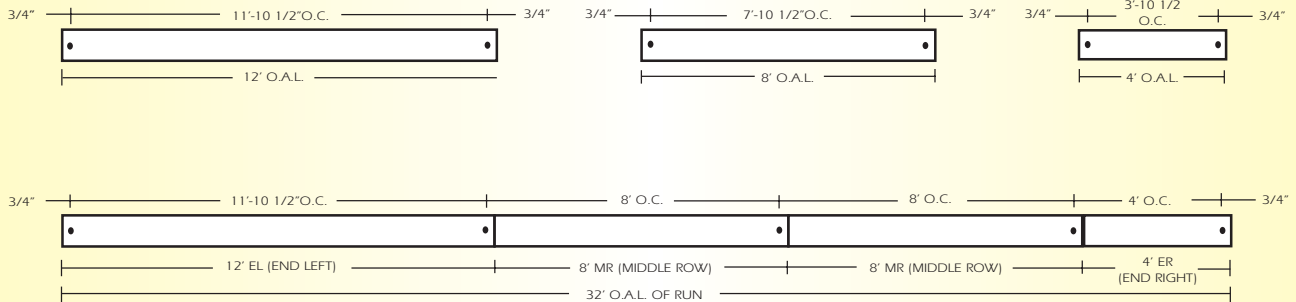
## OPTIONS

- DIM=** Dimming Ballast
- EPC=** Emergency Battery Pack
- EMC=** Emergency Circuit
- TCW=** Two Circuit Wiring
- TDW=** Tandem Wiring
- QCW=** Quick Connect Wiring
- OTH=** See Accessories for other options available

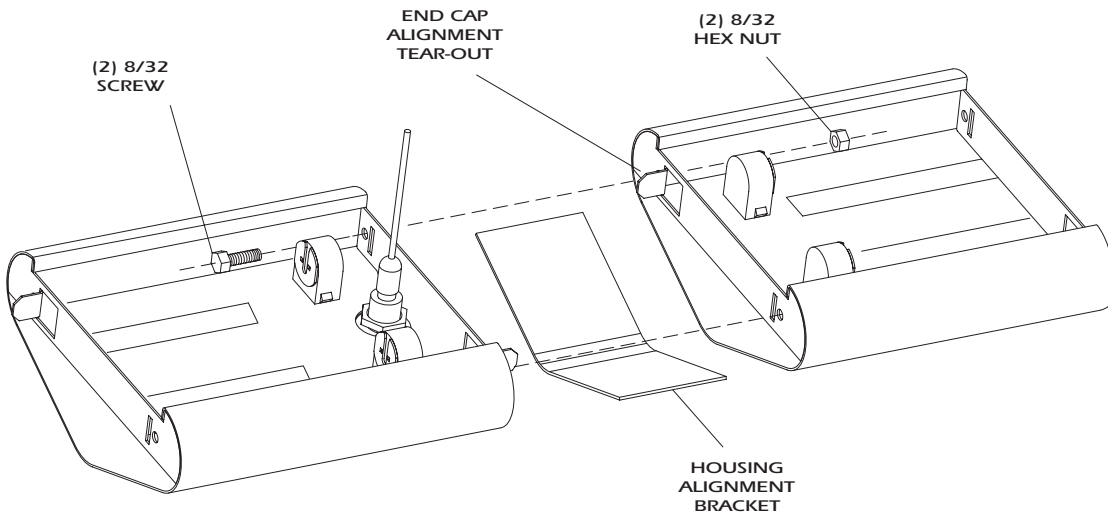
# Generation Series 5

G5-DI-7

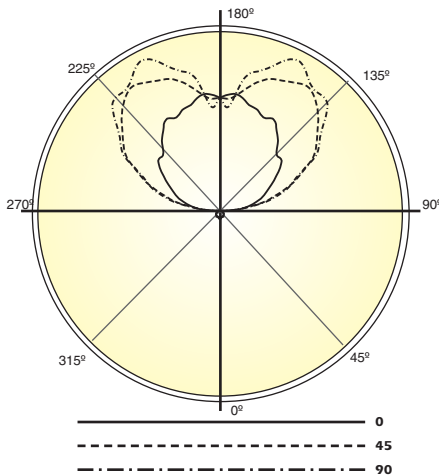
LINEAR SECTIONS AND SUSPENSION LOCATION



INSTALLATION PREPARATION



PHOTOMETRY



LAMP (2) 54W T5 HO  
LUMENS: 5000 PER LAMP

Candela Distribution:

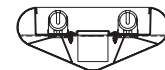
Vert. Angle	0	22.5	45	67.5	90
0	76	76	76	76	76
5	73	78	77	75	59
15	75	72	69	78	64
25	64	69	67	72	70
45	49	53	62	56	52
55	35	44	48	42	41
65	27	38	30	32	30
75	26	20	17	19	21
85	11	9	13	14	15
95	294	288	277	254	257
105	590	786	814	877	870
115	810	1204	1318	1347	1311
125	1065	1551	1742	1829	1790
135	1181	1771	2007	2202	2245
145	1439	1834	2244	2363	2369
155	1522	1831	2149	2316	2513
165	1764	1663	1933	2078	2178
175	1667	1648	1754	1840	1528
180	1630	1630	1630	1630	1630

Optical Distribution:  
97% Indirect: 3% Direct

Coefficients of Utilization - Zonal Cavity Method:

pfc = 0.20

	.8	.7	.5	.3	.1	0
pcc	.8	.7	.5	.3	.1	0
pw	.7	.5	.3	.1	.5	.3
RCR	.1	.7	.5	.3	.1	.5
0	82	82	82	82	71	71
1	75	71	68	65	64	61
2	68	62	57	53	58	53
3	62	54	49	44	53	47
4	56	48	42	37	48	41
5	51	42	36	31	44	37
6	47	38	31	27	40	33
7	43	34	27	23	37	29
8	40	30	24	20	34	26
9	37	27	21	17	32	24
10	34	25	19	15	29	22



Total Luminaire Optical Efficiency = 85.4%