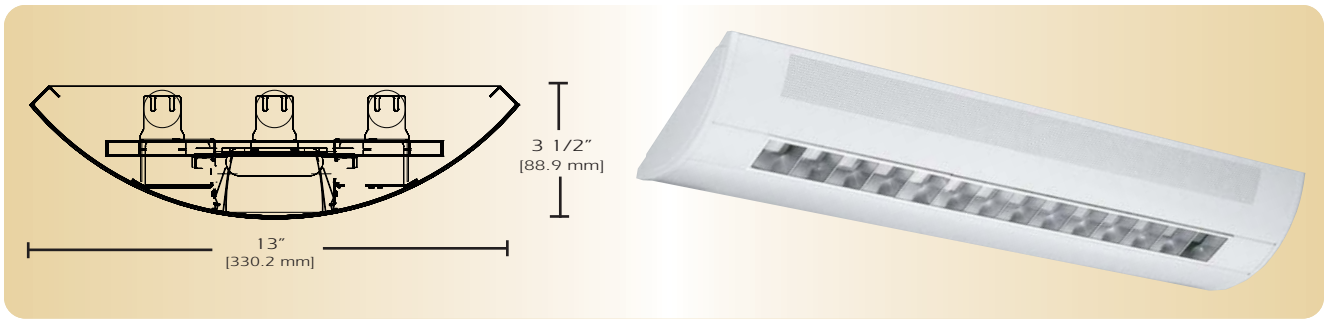


JAZZ Series

JAZ-FE-DI-PBL



TYPE _____

FEATURES

The Jazz PBL Flat End DI is one variation of a complete family of direct/indirect fluorescent luminaires. Constructed of perforated steel, it features uninterrupted, perfectly aligned continuous rows. The Jazz PBL Flat End DI series is furnished with a continuous fluorescent task down light. The Jazz PBL Flat End DI series can be furnished with a wide variety of perforated accent patterns in addition to the standard pattern. The standard pattern is two continuous perforated sections 5" wide on each side separated by a 3" parabolic louver in the center of the fixture. The perforations are 1/16" holes on 3/32" straight centers. Perforated corporate logos can also be supplied as a feature for reception areas and conference rooms. The computer designed optical system creates a widespread indirect distribution, while the variety of direct components provides useful contrast.

SPECIFICATIONS

Housing: Two piece die formed 20-gauge cold rolled steel welded construction forming a 13" x 3 1/2" rounded profile. Continuous perforated sections are 1/16" x 3/32" straight centers with white .020 translucent overlay. Center section of fixture provides down task lighting. Finished end caps are 18-gauge cold rolled steel with no exposed hardware or knockouts. Special logo designs and perforated patterns are available. Dual mounting must be used when aircraft cable is installed for hanging.

Reflector: Die formed 20 gauge cold rolled steel minimum 90% reflectivity finished in high gloss baked white enamel. Die formed specular reflector is also available.

Electrical: Ballast is electronic, high power factor, thermally protected class P, sound rated A, with less than 20% total harmonic distortion. The minimum number of ballasts will be used unless otherwise specified.

Mounting: Standard Installation is an adjustable self-locking aircraft cable assembly 48" x 3/32" in diameter with 5" canopy. One 16/4 SJT straight 54" cord is supplied with each power feed. Standard pendants are available in 24" lengths. See Accessories for additional mounting.

Finish: Fixture housing and steel components are finished in baked white enamel applied over a five-stage pretreatment process.

Lamps: Fixtures are provided for use with two or three T8, T5 or T5 HO lamps for direct and indirect lighting. (Supplied by Others)

Certification: Luminaires are U. L. Listed, C. S. A. certified and are Union Made in the United States of America I.B.E.W.

ORDERING GUIDE

MODEL NO.	DIRECTION	SHIELDING	LAMPS	MOUNTING	LENGTH	FINISH	VOLTAGE	OPTIONS
JAZ FE	DI							
JAZ FE	DI = Direct/ Indirect	SRB = Radial Baffle PRB = Perforated Radial Baffle PBL = Parabolic Louver SL = Special Logo	317T8 325T8 332T8 314T5 321T5 328T5 324T5HO 339T5HO 354T5HO	AC = Cable PD = Pendant See Accessories	2 = ft 3 = ft 4 = ft 6 = ft 8 = ft for other, please enter row length (eg. 48=48ft)	W = White CC = Custom Color	120v 277v	See Options Below

Example: **JAZ-FE-DI-SRB-332T8-AC-4-W-120V**
 Jazz flat end with downlight aperture direct/ indirect luminaire with radial baffle shielding for three 32watt T8 with two 48 inch air craft cable and power feed four foot fixture finished in baked white enamel 120V electronic ballast less than 20% total harmonic distortion.

OPTIONS

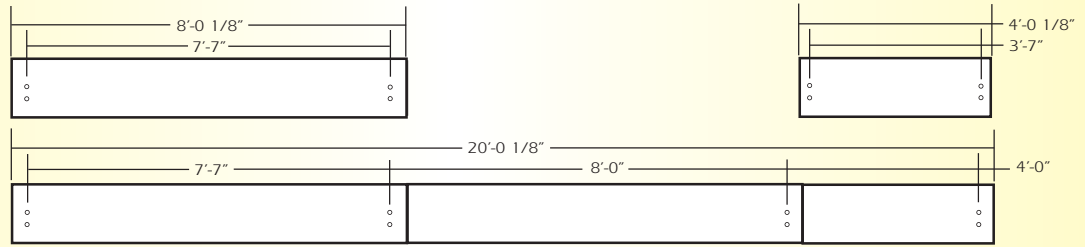
- E10=** Electronic ballast, high power factor, thermally protected class P, sound rated A, < 10% total harmonic distortion
- DIM=** Dimming Ballast
- EPC=** Emergency Battery Pack
- EMC=** Emergency Circuit
- TCW=** Two Circuit Wiring
- TDW=** Tandem Wiring
- QCW=** Quick Connect Wiring
- OTH=** See Accessories for other options available

JAZZ Series

JAZ-FE-DI-PBL

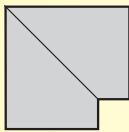
LINEAR SECTIONS AND SUSPENSION LOCATION

SUSPENSION MOUNTING

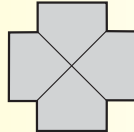


CORNERS

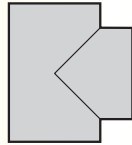
Corners and fixture extensions are custom fabricated to precise dimensions. Please indicated the specific requirements on the layout



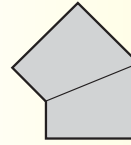
C2
90° Corner



C4
4-Way
Corner
(Cross)



C3
3-Way
Corner
(Tee)



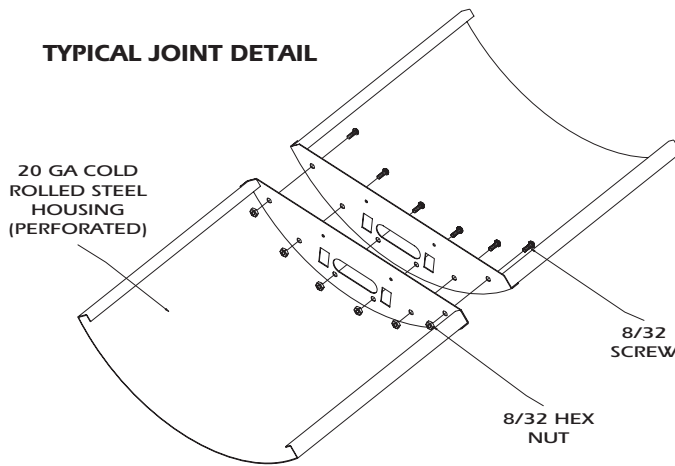
()° AC
Angular
Corner

For any angular corner, ()° must be specified and dimensions must be included on the layout

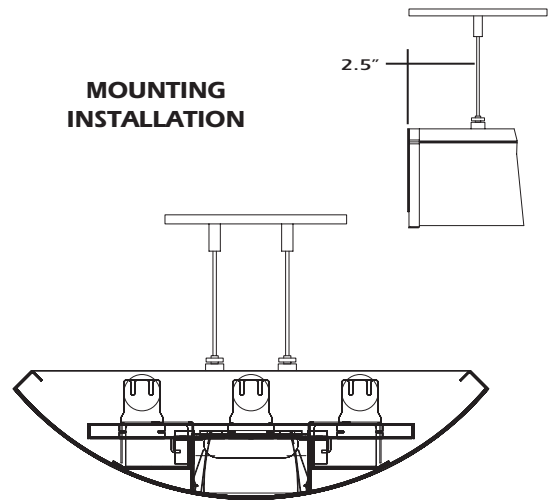
For any pattern, a layout must accompany the order.

INSTALLATION PREPARATION

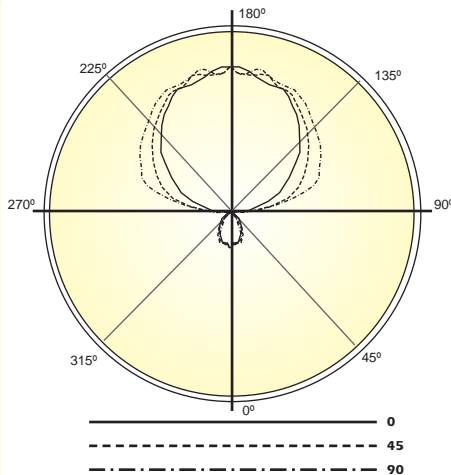
TYPICAL JOINT DETAIL



MOUNTING INSTALLATION



PHOTOMETRY



LAMP (3) 32W T8
LUMENS: 2900 PER LAMP

Candela Distribution:

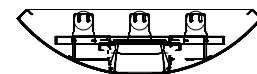
Vert. Angle	0	22.5	45	67.5	90
0	437	437	437	437	437
10	370	372	358	394	364
20	340	317	354	366	367
30	288	272	268	189	158
40	198	207	119	48.7	38.7
50	138	112	38.5	76.2	101
60	69.6	45.3	53.3	36.0	26.8
70	30.7	26.6	17.9	22.3	26.0
80	12.4	10.2	15.1	19.7	21.4
90	10.0	32.7	33.0	34.9	35.0
100	220	398	563	577	577
110	519	625	879	1066	1131
120	771	851	1055	1207	1275
130	1034	1096	1242	1343	1375
140	1244	1297	1397	1482	1484
150	1445	1484	1533	1605	1639
160	1621	1609	1639	1615	1652
170	1670	1667	1700	1701	1716
180	1745	1745	1745	1745	1745

Optical Distribution:
91% Indirect: 9% Direct

Coefficients of Utilization - Zonal Cavity Method:

pfc = 0.20

pcc	.8	.7	.5	.3	.1	0
pw	.7 .5 .3 .1	.7 .5 .3 .1	.5 .3 .1	.5 .3 .1	.5 .3 .1	0
RCR	0 76 76 76 76	66 66 66 66	47 47 47	30 30 30	14 14 14	6
1	69 66 63 61	60 57 55 53	41 40 38	26 25 25	12 12 12	5
2	63 58 53 50	54 50 47 44	36 34 32	23 22 21	11 10 10	5
3	57 51 45 41	50 44 40 36	32 29 27	20 19 18	10 9 9	4
4	52 45 39 35	45 39 34 31	28 25 23	18 16 15	9 8 7	4
5	48 40 34 30	41 35 30 26	25 22 19	16 14 13	8 7 7	3
6	44 35 30 25	38 31 26 23	22 19 17	15 13 11	7 6 6	3
7	41 32 26 22	35 28 23 20	20 17 15	13 11 10	6 6 5	3
8	38 29 23 19	32 25 20 17	18 15 13	12 10 9	6 5 5	2
9	35 26 21 17	30 23 18 15	17 14 11	11 9 8	5 5 4	2
10	32 24 18 15	28 21 16 13	15 12 10	10 8 7	5 4 4	2



Total Luminaire Optical
Efficiency = 78.3%