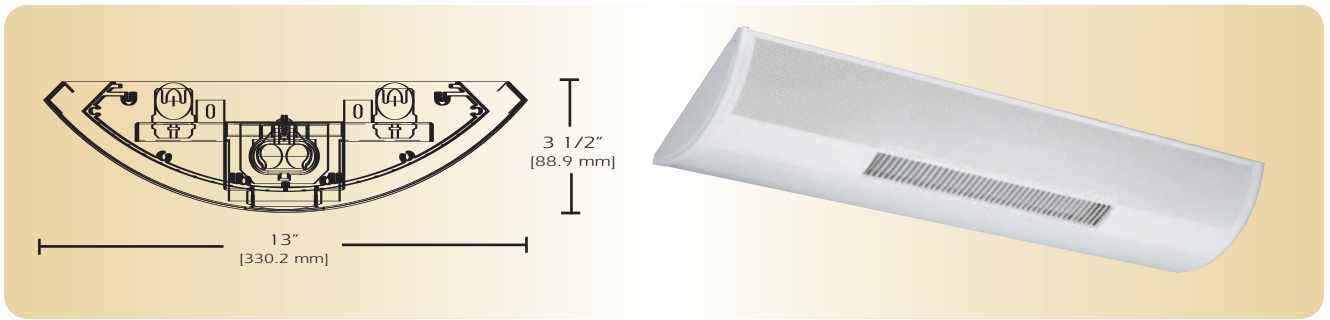


# JAZZ Series

# JAZ-SCB-DI



**TYPE**

**FEATURES**

The Jazz SCB DI is one variation of a complete family of direct/indirect fluorescent luminaires. Constructed of perforated steel and aluminum extrusions, it features a reveal between modules in continuous rows. The Jazz SCB DI series is furnished with a isolated compact fluorescent task down light. The Jazz SCB DI series can be furnished with a wide variety of perforated accent patterns in addition to the standard pattern. The standard pattern are two continuous perforated sections 5 1/2" wide on each side separated by a 3" solid band in the center of the fixture. The perforations are 1/16" holes on 3/32" straight centers. Perforated corporate logos can also be supplied as a feature for reception areas and conference rooms. The computer designed optical system creates a widespread indirect distribution, while the variety of direct components provides useful contrast.

**SPECIFICATIONS**

**Housing:** One piece die formed 20-gauge cold rolled steel welded construction forming a 13" x 3 1/2" rounded profile. Continuous perforated sections are 1/16" x 3/32" straight centers with white .020 translucent overlay. Perforated sides are 5 1/2" wide and end 1" from fixture end with steel cross blade baffle 5/8" O.C. x 5/8" H. centered in fixture. Decorative finished end caps are extruded aluminum incorporating leveling hanging supports with no exposed hardware or knockouts. Special logo designs and perforated patterns are available.

**Reflector:** Die formed 20 gauge cold rolled steel minimum 90% reflectivity finished in high gloss baked white enamel. Die formed specular reflector is also available.

**Electrical:** Ballast is electronic, high power factor, thermally protected class P, sound rated A, with less than 20% total harmonic distortion. The minimum number of ballasts will be used unless otherwise specified.

**Mounting:** Standard Installation is an adjustable self-locking aircraft cable assembly 48" x 3/32" in diameter with 5" canopy. One 16/4 SJT straight 54" cord is supplied with each power feed. Standard pendants are available in 24" lengths. See Accessories for additional mounting.

**Finish:** Fixture housing and steel components are finished in baked white enamel applied over a five-stage pretreatment process.

**Lamps:** Fixtures are provided for use with two, three or four 32 watt T8 lamps or 54 watt T5 HO lamps up and one 40 watt compact fluorescent down. (Supplied by Others)

**Certification:** Luminaires are U. L. Listed, C. S. A. certified and are Union Made in the United States of America I.B.E.W.

**ORDERING GUIDE**

MODEL NO.	DIRECTION	LAMPS UP	LAMPS DOWN	MOUNTING	LENGTH	FINISH	VOLTAGE	OPTIONS
<b>JAZ SCB</b>	<b>DI</b>							
<b>JAZ SCB</b>	<b>DI=</b> Direct/ Indirect	<b>232T8</b> <b>332T8</b> <b>432T8</b> <b>254T5 HO</b> <b>354T5 HO</b> <b>454T5 HO</b>	<b>140CF</b> <b>150CF</b>	<b>AC=</b> Cable <b>PD=</b> Pendant	<b>4=</b> ft <b>8=</b> ft	<b>W=</b> White <b>CC=</b> Custom Color	<b>120v</b> <b>277v</b>	<b>See</b> <b>Options</b> <b>Below</b>
		<b>O=</b> Other Specify		See Accessories	for other, please enter row length (eg. 48=48ft)			

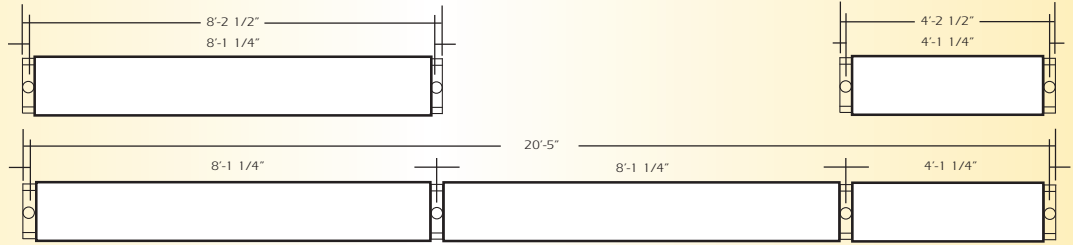
Example: **JAZ-SCB-DI-232T8-U-140CF-D-AC-4-W-277V**  
Jazz direct/indirect fixture perforated sections with opal overlay for two 32 watt T8 lamps up and 140 watt compact fluorescent down with two 48 inch aircraft cables and power feed four foot fixture finished in baked white enamel with 277v electronic ballast less than 20% total harmonic distortion.

**OPTIONS**

- E10=** Electronic ballast, high power factor, thermally protected class P, sound rated A, < 10% total harmonic distortion
- DIM=** Dimming Ballast
- EPC=** Emergency Battery Pack
- EMC=** Emergency Circuit
- TCW=** Two Circuit Wiring
- TDW=** Tandem Wiring
- QCW=** Quick Connect Wiring
- OTH=** See Accessories for other options available
- SPR=** Specular Reflector

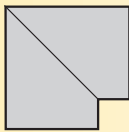
LINEAR SECTIONS AND SUSPENSION LOCATION

## SUSPENSION MOUNTING

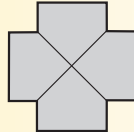


## CORNERS

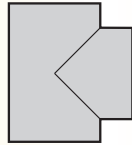
Corners and fixture extensions are custom fabricated to precise dimensions. Please indicated the specific requirements on the layout



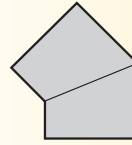
**C2**  
90° Corner



**C4**  
4-Way  
Corner  
(Cross)



**C3**  
3-Way  
Corner  
(Tee)



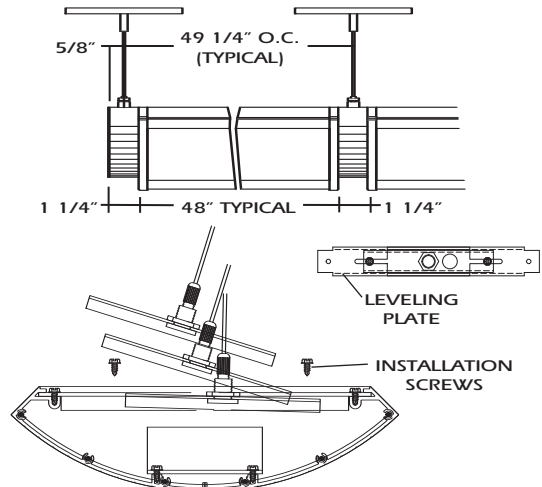
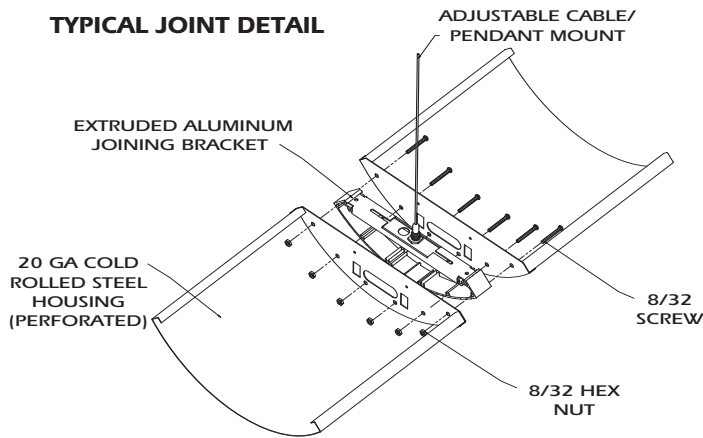
**( )° AC**  
Angular  
Corner

For any angular corner, ( )° must be specified and dimensions must be included on the layout

For any pattern, a layout must accompany the order.

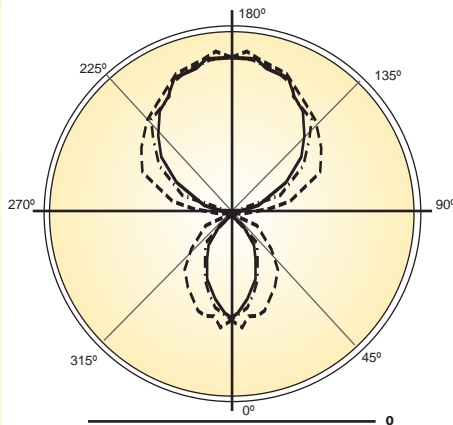
INSTALLATION PREPARATION

## TYPICAL JOINT DETAIL



**MOUNTING BAR INSTALLATION**

PHOTOMETRY



LAMP (2) 32W T8 and (1) 40 CF  
LUMENS: 2900 PER 32 W  
and 3150 PER 40 CF

## Candela Distribution:

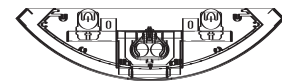
Vert. Angle	0	22.5	45	67.5	90
0	882	882	882	882	882
10	774	784	840	852	878
20	589	629	675	799	907
30	426	458	547	681	805
40	223	256	381	516	662
50	114	120	189	338	454
60	69	74	84	171	264
70	51	47	49	69	104
80	25	24	26	33	40
90	10	29	39	39	43
100	160	296	453	532	550
110	392	467	640	779	834
120	598	656	769	871	938
130	793	833	893	962	986
140	960	991	1042	1072	1075
150	1085	1168	1160	1173	1176
160	1217	1219	1232	1256	1238
170	1288	1284	1291	1296	1334
180	1280	1280	1280	1280	1280

**Optical Distribution:**  
76% Indirect: 24% Direct

## Coefficients of Utilization - Zonal Cavity Method:

pfc = 0.20

	.8	.7	.5	.3	.1	0
pcc	.8	.7	.5	.3	.1	0
pw	.7 .5 .3 .1	.7 .5 .3 .1	.5 .3 .1	.5 .3 .1	.5 .3 .1	0
RCR						
0	70 70 70 70	62 62 62 62	47 47 47	34 34 34	22 22 22	16
1	64 61 59 56	57 54 52 50	42 41 39	30 30 29	20 19 19	14
2	58 54 50 47	52 48 45 42	37 35 33	27 26 25	18 17 17	12
3	53 47 43 39	47 42 38 35	33 30 28	24 23 21	16 15 14	11
4	49 42 37 33	43 38 33 30	29 27 24	22 20 18	15 14 13	10
5	45 38 32 29	40 34 29 26	26 23 21	20 18 16	13 12 11	9
6	41 34 28 25	37 30 26 23	24 21 18	18 16 14	12 11 10	8
7	38 30 25 22	34 27 23 20	22 18 16	16 14 13	11 10 9	7
8	35 28 23 19	32 25 21 18	20 17 14	15 13 11	10 9 8	6
9	33 25 20 17	29 23 18 16	18 15 13	14 12 10	10 8 7	6
10	31 23 18 15	27 21 17 14	17 14 12	13 11 9	9 8 7	5



**Total Luminaire Optical Efficiency = 69%**